



A TEREX BRAND

# *Parts Manual*

Serial Number Range

***GS-2669RT***

from SN GS6911-101

***GS-3369RT***

***GS-4069RT***

Part No. 229832

Rev A18

January 2015

## Technical Publications

Genie has endeavored to deliver the highest degree of accuracy possible. However, continuous improvement of our products is a Genie policy. Therefore, product specifications are subject to change without notice.

Readers are encouraged to notify Genie of errors and send in suggestions for improvement. All communications will be carefully considered for future printings of this and all other manuals.

## Contact Us:

Internet: [www.genielift.com](http://www.genielift.com)


E-mail: [awp.techpub@terex.com](mailto:awp.techpub@terex.com)

---

Copyright © 2011 by Terex Corporation

229832 Rev A September 2011  
First Edition, First Printing

Genie is a registered trademark of Terex South Dakota in the USA and many other countries. "GS" is a trademark of Terex South Dakota, Inc.

 Printed on recycled paper



**Model:** GS-3369  
**Serial number:** GS6911-500  
**Model year:** 2008 **Manufacture date:** 08/10/11  
**Electrical schematic number:** ES0141  
**Machine unladen weight:** 2,714 lb / 1,231 kg

**Rated work load (including occupants):** 500 lb / 227 kg

**Maximum allowable inclination of the chassis:**

N/A

**Gradeability:** N/A

**Maximum allowable side force :** 100 lb / 445 N

**Maximum number of platform occupants:** 2

**Country of manufacture:** USA

**This machine complies with:**

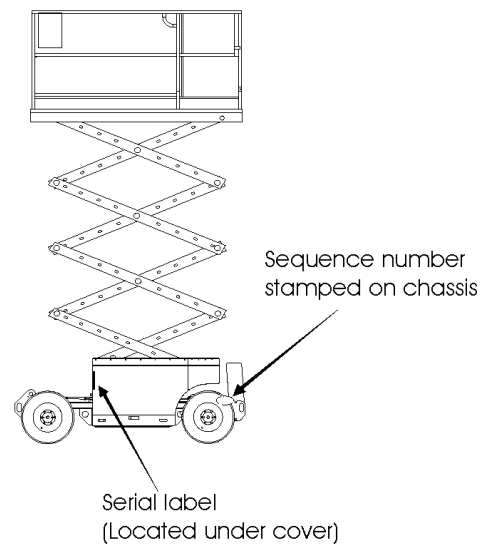
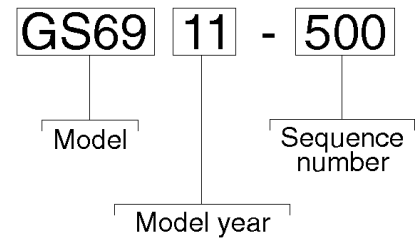
ANSI A92.6  
 B354.2

**Terex South Dakota, Inc.**

**500 Oak Wood Road**

**PO Box 1150**

**Watertown SD US 57201**



## Table of Contents

This manual is updated frequently. If you have a printed manual, you can keep it up to date by downloading new figures from the Genie website at [www.genielift.com](http://www.genielift.com). For the most up-to-date parts information, visit the Parts Lookup System on the Genie website at [www.genielift.com](http://www.genielift.com).

How to Read Your Serial Number.....	3
Parts Stocking List.....	7
How to Order Parts.....	8
Service Parts Fax Order Form.....	9

**Electronic Version**

Click on any page number to view the figure.

**100 Decals**

101.1 Decals with Words, GS-2669, Engine Side.....	10
102.1 Decals with Words, GS-2669, Controls Side.....	12
103.1 Decals with Words, GS-2669 Platform, ANSI & CSA.....	14
104.1 Decals with Words, GS-2669 Platform, Australia.....	16
105.1 Decals with Symbols, GS-2669, Engine Side.....	18
106.1 Decals with Symbols, GS-2669, Controls Side.....	20
107.1 Decals with Symbols, GS-2669 Platform, Asia & South America.....	22
108.1 Decals with Symbols, GS-2669 Platform, CE.....	24
109.1 Decals with Words, GS-3369, Engine Side.....	26
110.1 Decals with Words, GS-3369, Controls Side.....	28
111.1 Decals with Words, GS-3369 Platform, ANSI & CSA.....	30
112.1 Decals with Words, GS-3369 Platform, Australia.....	32
113.1 Decals with Symbols, GS-3369, Engine Side.....	34
114.1 Decals with Symbols, GS-3369, Controls Side.....	36
115.1 Decals with Symbols, GS-3369 Platform, Asia & South America.....	38
116.1 Decals with Symbols, GS-3369 Platform, CE.....	40
117.1 Decals with Words, GS-4069, Engine Side.....	42
118.1 Decals with Words, GS-4069, Controls Side.....	44
119.1 Decals with Words, GS-4069 Platform, ANSI & CSA.....	46
120.1 Decals with Words, GS-4069 Platform, Australia.....	48
121.1 Decals with Symbols, GS-4069, Engine Side.....	50
122.1 Decals with Symbols, GS-4069, Controls Side.....	52
123.1 Decals with Symbols, GS-4069 Platform, Asia & South America.....	54
124.1 Decals with Symbols, GS-4069 Platform, CE.....	56

**200 Drive Chassis Components**

201.1 Steer Axle Linkage, Wheels and Drive Motors.....	58
202.1 Steer Axle Linkage, Oscillation.....	60
203.1 Non-Steer Axle and Drive Motors.....	62
204.1 Ladder and Counterweight.....	66
205.1 Drive Chassis, Safety Components.....	68

**300 Engine Components**

301.1 Kubota WG-972 Engine, View 1.....	70
302.1 Kubota WG-972 Engine, View 2.....	72
303.1 Kubota WG-972 Engine, View 3.....	76
304.1 Kubota WG-972 Engine, View 4.....	78
305.1 Kubota D-1105 Engine, View 1.....	80
306.1 Kubota D-1105 Engine, View 2.....	82
307.1 Kubota D-1105 Engine, View 3.....	84
308.1 Kubota D-1105 Engine, View 4.....	86
309.1 Perkins 403D-11 Engine, View 1.....	88
310.1 Perkins 403D-11 Engine, View 2.....	92

**400 Chassis Tray Components**

401.1 Engine Tray Components, View 1.....	94
402.1 Engine Tray Components, View 2.....	96
403.1 Hydraulic Tank And Ground Controls Installation.....	98
404.1 Hydraulic Tray Components.....	102
405.1 Ground Controls.....	104
406.1 LPG Tank Installation.....	106
407.1 Chassis Cover Installation (to SN GS6914-3661).....	108
407.2 Chassis Cover Installation (from SN GS6914-3662).....	110
408.1 Electrical Wiring and Power Cables.....	112

**500 Scissor Components**

501.1 Scissor Components, GS-2669 RT.....	114
502.1 Scissor Components, GS-3369 RT, View 1.....	116
503.1 Scissor Components, GS-3369 RT, View 2.....	118
504.1 Scissor Components, GS-4069 RT, View 1.....	120
505.1 Scissor Components, GS-4069 RT, View 2.....	122

**600 Platform Components**

601.1 Platform Installation, GS-2669 RT, View 1.....	124
602.1 Platform Installation, GS-3369 RT and GS-4069 RT, View 2.....	126
603.1 Platform Railing Installation.....	128
604.1 Platform Entry Gate.....	130
605.1 Platform Extension.....	132
606.1 Platform Extension Deck Lock.....	134
607.1 Power to Platform.....	136
608.1 Platform Controls.....	138
609.1 Platform Controls Joystick.....	140

**700 Hydraulic Components**

701.1 Function Manifold.....	142
702.1 Traction Manifold, View 1.....	146
703.1 Traction Manifold, View 2.....	148
704.1 Oscillate Cylinders, All Models.....	150
705.1 Lift Cylinders.....	152
706.1 Hydraulic Hoses and Fittings, Lift Cylinder, GS-4069 RT.....	154
707.1 Hydraulic Hoses and Fittings, View 1.....	156
708.1 Hydraulic Hoses and Fittings, View 2.....	158

**800 Accessories**

801.1 Flashing and Motion Beacon.....	160
802.1 Generator Installation.....	162
803.1 Generator.....	164
804.1 Hydraulic Hoses and Fittings, Generator.....	166
805.1 Oil Cooler.....	168
806.1 Hydraulic Hoses and Fittings, Oil Cooler.....	170
807.1 Cold Start Installation.....	172
808.1 Outrigger Installation, View 1.....	174
809.1 Outrigger Installation, View 2.....	176
810.1 Outrigger Manifold.....	178
811.1 Outrigger Cylinders, All Models.....	180
812.1 Hydraulic Hoses and Fittings, Outrigger.....	182
813.1 Air to Platform.....	184
814.1 Link Guard, CE and Australia.....	186

**Indices**

Part Number Index.....	188
Part Description Index.....	193

**Cross References**

Fittings Cross Reference.....	202
-------------------------------	-----



## Required Parts

The following parts are required to perform maintenance procedures as outlined in the *Genie GS-69 RT Service Manual*.

### Perkins 403D-11 Models:

Description	Part No.
Plug and Cap Kit (for ORFS fittings).....	49613
Dielectric Grease.....	66399
Hydraulic Filter.....	60857
Hydraulic Tank Cap (models w/opt. hyd fluid).....	131658
Air Filter Element.....	52867
Fuel/water Separator Element.....	42767
Fuel Filter.....	62421
Engine Oil Filter.....	94762
V-belt.....	85071
Manual, Workshop,403D.....	131662
Manual, Operators, Perkins 403D.....	131661

### Kubota D1105 Models:

Description	Part No.
Plug and Cap Kit (for ORFS fittings).....	49613
Dielectric Grease.....	66399
Hydraulic Filter.....	60857
Hydraulic Tank Cap (models w/opt. hyd fluid).....	131658
Air Filter Element.....	236095
Fuel/water Separator Element.....	62433
Fuel Filter.....	62433
Engine Oil Filter.....	139282
V-belt.....	89765
Manual, Workshop, D1105.....	229761
Manual, Operators, Kubota Diesel.....	131379

### Kubota WG-972-E2 Models:

Description	Part No.
Plug and Cap Kit (for ORFS fittings).....	49613
Dielectric Grease.....	66399
Hydraulic Filter.....	60857
Hydraulic Tank Cap (models w/opt. hyd fluid).....	131658
Manual, Workshop, WG-972-E2.....	234802
Manual, Operators, WG-972-E2.....	234803
Air Filter.....	104710
Fuel Filter.....	23168
Engine Oil Filter.....	22106
V-belt.....	52816
Spark Plug (Qty. 3).....	139203
Plug Wires (Qty. 1 each).....	139204, 5 & 6
Gasoline Hose (Qty 1 each).....	233945, 6 & 7
LPG Hose (Qty. 1 each).....	104086, 74514
Radiator Hose (Qty. 1 each).....	139213, 139212
Radiator Hose Clamp (Qty. 2 each).....	235527, 235528
Air Intake Hose.....	139483
Air Intake Hose Clamp (Qty. 1 each).....	35434, 32084

## Recommended Parts

Description	Part No.
Genie Blue Paint, 1 Gallon.....	32150
Genie Blue Paint, 12 Ounce Aerosol.....	1484
Genie Gray Paint, 1 Gallon.....	32151
Genie Gray Paint, 12 Ounce Aerosol.....	1268

## Manuals

Genie Industries offers the following support documents for these models:

Title	Part No.
Genie GS-69 RT Operator's Manual, ANSI/CSA models.....	229831
Genie GS-69 RT Operator's Manual, CE models.....	230495
Genie GS-69 RT Operator's Manual, Australia models.....	230496
Genie GS-69 RT Service Manual.....	229753
EMI Safety Manual.....	27581
Manual of Responsibilities ANSI A92.6.....	44163

## How To Order Parts

Please be prepared with the following information when ordering replacement parts for your Terex or Genie product:

- Machine model number
- Machine serial number
- Part number
- Part description and quantity
- Purchase order number
- "Ship to" address
- Desired method of shipment
- Name and telephone number of the authorized distributor in your area

Use the Service Parts Fax Order Form on the next page and fax your order to our Parts Department.

If you don't know the name of your authorized distributor, or if your area is not currently serviced by an authorized distributor, please call Terex or Genie Industries.

### Machine Information

---

Model

---

Serial Number

---

Date of Purchase

---

Authorized Genie Distributor

---

Phone Number

#### North America

Telephone (425) 556-6551  
 Toll Free (877) 367-5606 in U.S.A. and Canada  
 Fax (425) 556-8659  
 Toll Free Fax (888) 274-6192

#### Europe

Parts Telephone (31) (165) 519 313  
 Parts Fax (31) (165) 511 148

#### Australia

Parts Telephone (61) (7) 3456 4444  
 Parts Fax (61) (7) 3456 4466

#### South America

Parts Telephone (55) (11) 4082 5600  
 Parts Fax (55) (11) 4082 5630





### Service Parts Fax Order Form

Fax to: (425) 556-8659 or Toll Free: 888-274-6192  
International: +1-425-556-8659

**Please fill out completely**

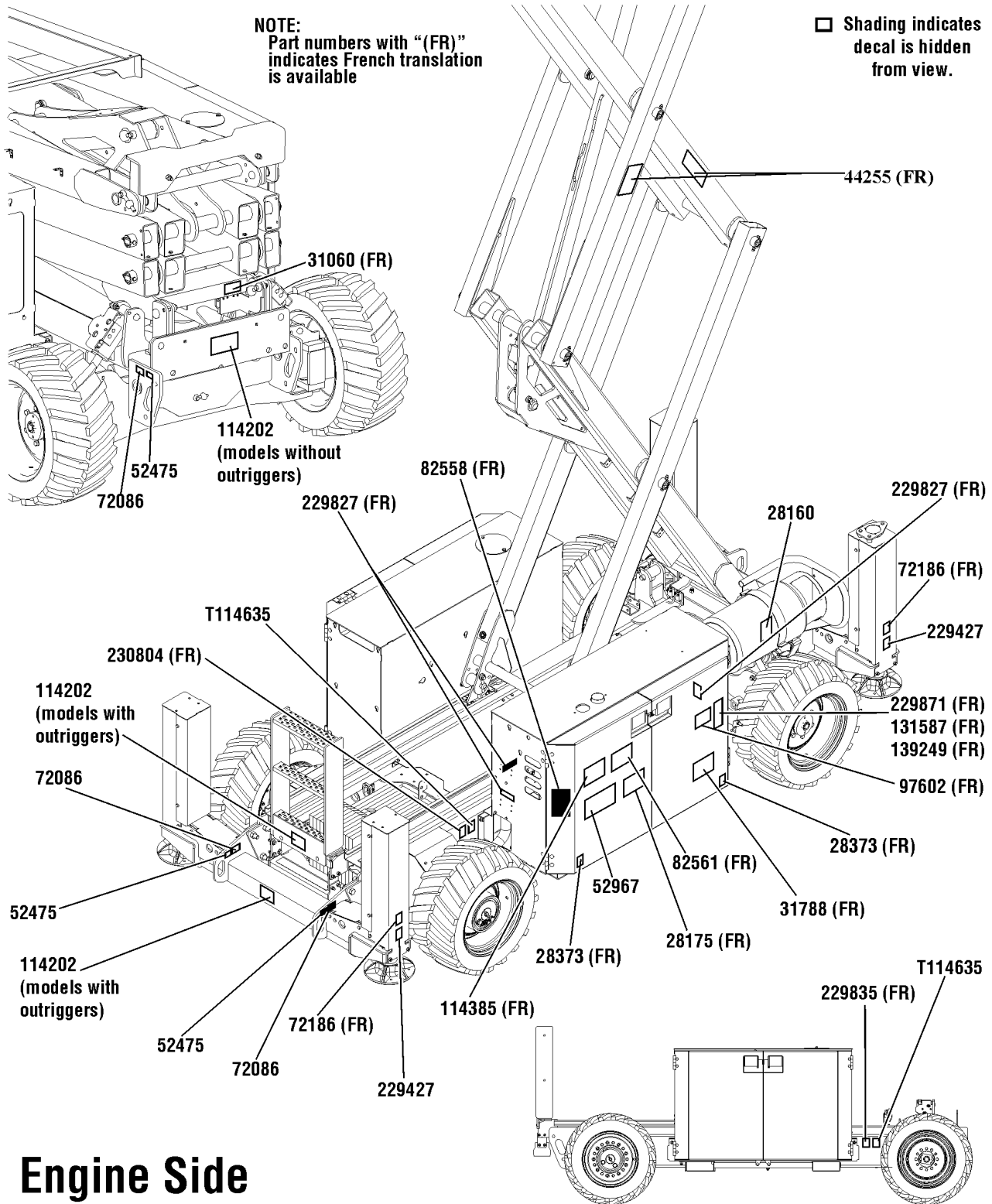
Date \_\_\_\_\_ Account Number \_\_\_\_\_  
Your Name \_\_\_\_\_ Your Fax Number \_\_\_\_\_  
\_\_\_\_\_  
Your Phone Number \_\_\_\_\_  
Bill To \_\_\_\_\_ Ship To \_\_\_\_\_  
\_\_\_\_\_  
\_\_\_\_\_  
Purchase Order Number \_\_\_\_\_ Ship Via \_\_\_\_\_

**Model(s)** \_\_\_\_\_ **Serial No.(s)** \_\_\_\_\_  
**Optional Equipment** \_\_\_\_\_

Part Number	Description	Quantity	Price

- All back-ordered parts will be shipped when available via the same ship method as the original order unless Noted below:
- Ship complete order only - No back orders
  - Ship all available parts and contact customer on disposition of back-ordered parts
  - Other (please specify)

101.1 Decals with Words, GS-2669, Engine Side



**Engine Side**

101.1 Decals with Words, GS-2669, Engine Side

Item	Part No.	Description	Qty.	Item	Part No.	Description	Qty.
--	233039	DECAL KIT, 2669 COMP,WRD,ANSI <i>(Decal kit, complete for ANSI models only)</i>		21	229871	DECAL,NOTICE,KUBOTA GAS SPECS.....	1
--	233044	DECAL KIT, 2669 COMP,WRD,AUS <i>(Decal kit, complete for AUS models only)</i>		22	230804	DECAL,NOTICE,TIRE SPECS, REAR.....	1
--	233047	DECAL KIT, 2669 PLAT,WRD,ANSI <i>(Decal kit, platform for ANSI models only)</i>		23	T114635	DECAL,LABEL,WHEEL LD,GS2669RT.....	2
--	233800	DECAL KIT, 2669 PLAT,WRD,AUS <i>(Decal kit, platform for AUS models only)</i>					
1	28160	DECAL,LABEL,LIQUID PROPANE.....	1				
2	28175	DECAL,COMPARTMENT ACCESS.....	1				
3	28373	DECAL,FORK LIFT POCKET.....	2				
4	31060	DECAL,DANGER DO NOT ALTER SWTC.....	1				
5	31788	DECAL,DANGER,BATTERY SAFETY***.....	1				
6	44255	DECAL,DANGER,CRUSHING HAZARD.....	2				
7	52475	DECAL,LABEL,TRANSPORT TIEDOWN*.....	2				
8	52967	DECAL,COSMETIC,4 X 4.....	1				
9	72086	DECAL,LABEL,LIFTING EYE.....	2				
10	72186	DECAL,WARNING,CRUSHING HAZARD.....	2				
11	82558	DECAL,SKIN INJECTION.....	1				
12	82561	DECAL,DANGER-USE SAFETY ARM.....	1				
13	97602	DECAL,EXPLOSION HAZARD.....	1				
14	114202	DECAL,LABEL,TRANSPORT TIE 68.....	1				
15	114385	DECAL,DANGER,ELEC HAZARD,GS.....	1				
16	131587	DECAL,NOTICE,KUB,D1105,T4.....	1				
17	139249	DECAL,NOTICE,PERKINS 403D SPEC.....	1				
18	229427	DECAL,LABEL,OUTRIGGER LD.....	2				
19	229827	DECAL,WARNING,HOT SURFACE.....	3				
20	229835	DECAL,NOTICE,TIRE SPECS..... <i>(steer end)</i>	1				

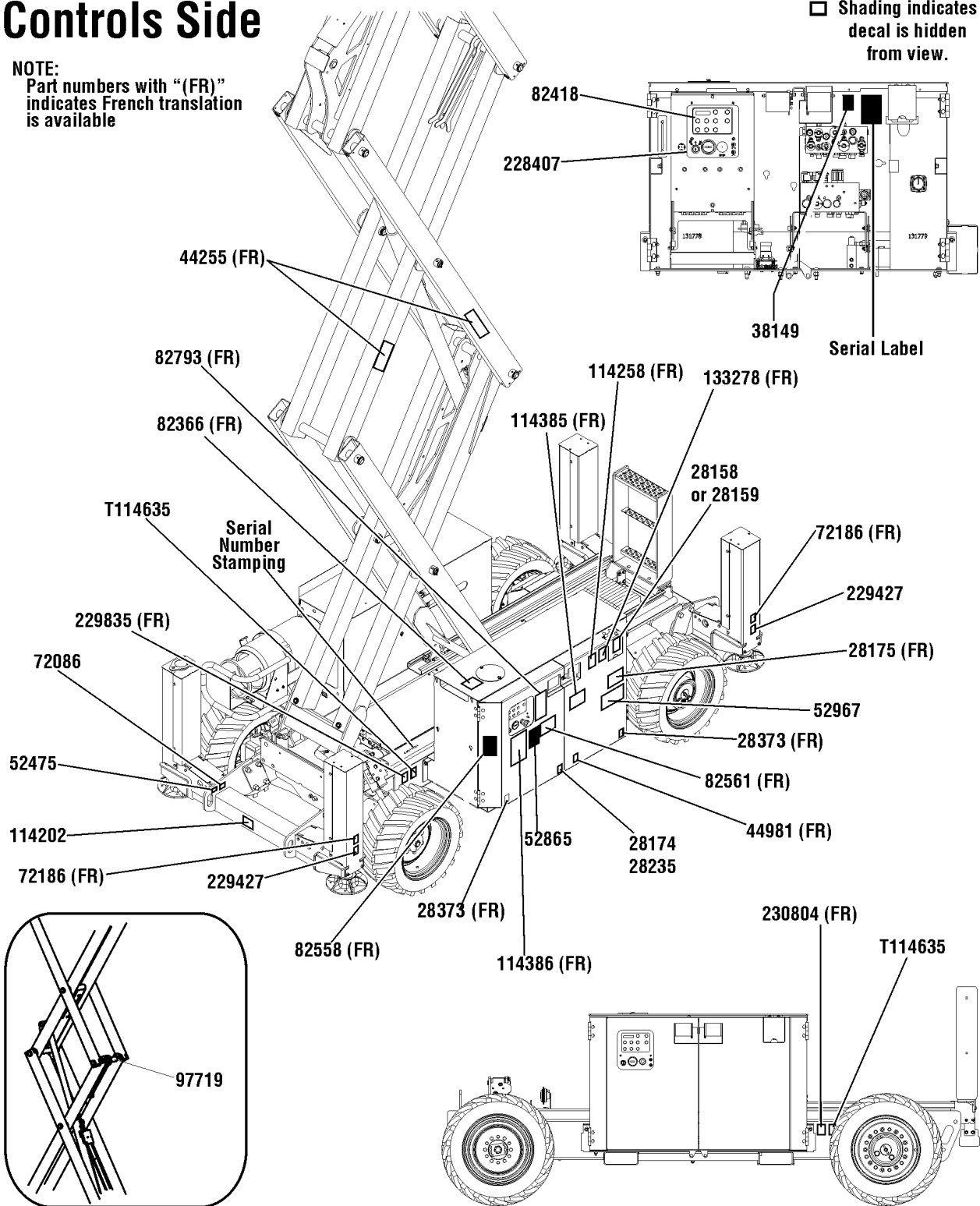


102.1 Decals with Words, GS-2669, Controls Side

# Controls Side

**NOTE:**  
Part numbers with "(FR)" indicates French translation is available

☐ Shading indicates decal is hidden from view.



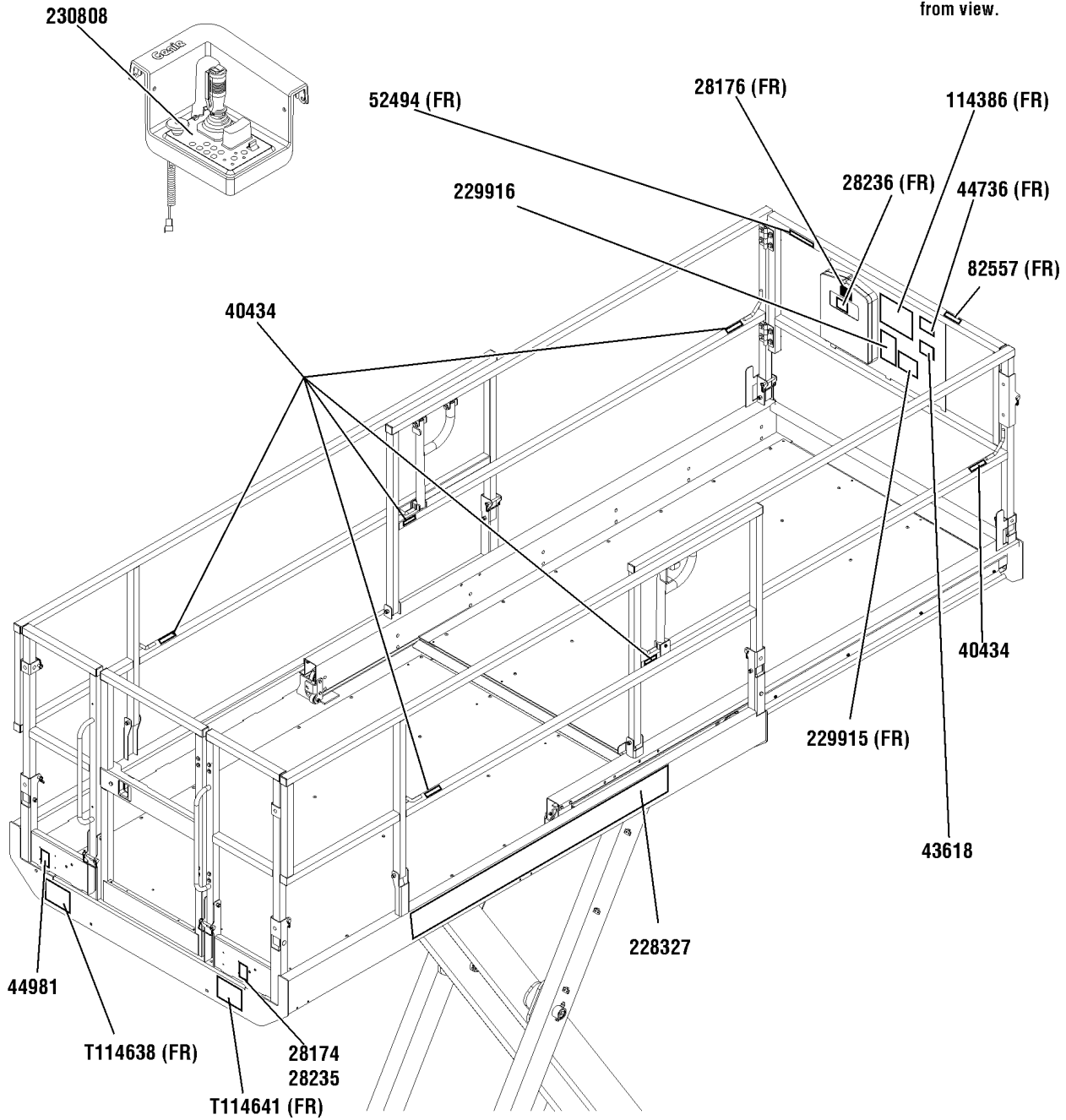
102.1 Decals with Words, GS-2669, Controls Side

Item	Part No.	Description	Qty.	Item	Part No.	Description	Qty.
--		Ref. Word Decal Kits <i>(refer to 101.1)</i>		27	229427	DECAL,LABEL,OUTRIGGER LD.....	2
1	28158	DECAL,LABEL,UNLEADED GAS ONLY.....	1	28	229835	DECAL,NOTICE,TIRE SPECS..... <i>(steer end)</i>	1
2	28159	DECAL,DIESEL.....	1	29	230804	DECAL,NOTICE,TIRE SPECS, REAR..... <i>(non-steer end)</i>	1
3	28174	DECAL,POWER TO PLATFORM 230V.....	1	30	T114635	DECAL,LABEL,WHEEL LD,GS2669RT.....	2
4	28175	DECAL,COMPARTMENT ACCESS.....	1				
5	28235	DECAL,POWER TO PLATFORM 115V.....	1				
6	28373	DECAL,FORK LIFT POCKET.....	2				
7	38149	DECAL,LABEL,PATENTS..... <i>(US only)</i>	1				
8	44255	DECAL,DANGER,CRUSHING HAZARD.....	2				
9	44981	DECAL,LABEL,AIRLINE 110 PSI.....	1				
10	52475	DECAL,LABEL,TRANSPORT TIEDOWN*.....	2				
11	52865	DECAL,ANNUAL INSP***.....	1				
12	52967	DECAL,COSMETIC,4 X 4.....	1				
13	72086	DECAL,LABEL,LIFTING EYE.....	2				
14	72186	DECAL,WARNING,CRUSHING HAZARD.....	2				
15	82366	DECAL,CHEVRON RANDO HD.....	1				
16	82418	DECAL,GROUND CONTROL PANEL.....	1				
17	82558	DECAL,SKIN INJECTION.....	1				
18	82561	DECAL,DANGER-USE SAFETY ARM.....	1				
19	82793	DECAL,NOTICE,OP INST,GROUND.....	1				
20	97719	DECAL, LABEL, SAFETY ARM SYMB.....	1				
21	114202	DECAL,LABEL,TRANSPORT TIE 68.....	1				
22	114258	DECAL,DANGER,NO SMOKING.....	1				
23	114385	DECAL,DANGER,ELEC HAZARD,GS.....	1				
24	114386	DECAL,DANGER-GEN SAFETY.....	1				
25	133278	DECAL,LOW/ULTRA LOW SULFR FUEL..... <i>(diesel models only)</i>	1				
26	228407	DECAL,GROUND CONTROL PANEL.....	1				



# Platform, ANSI/CSA models

☐ Shading indicates decal is hidden from view.



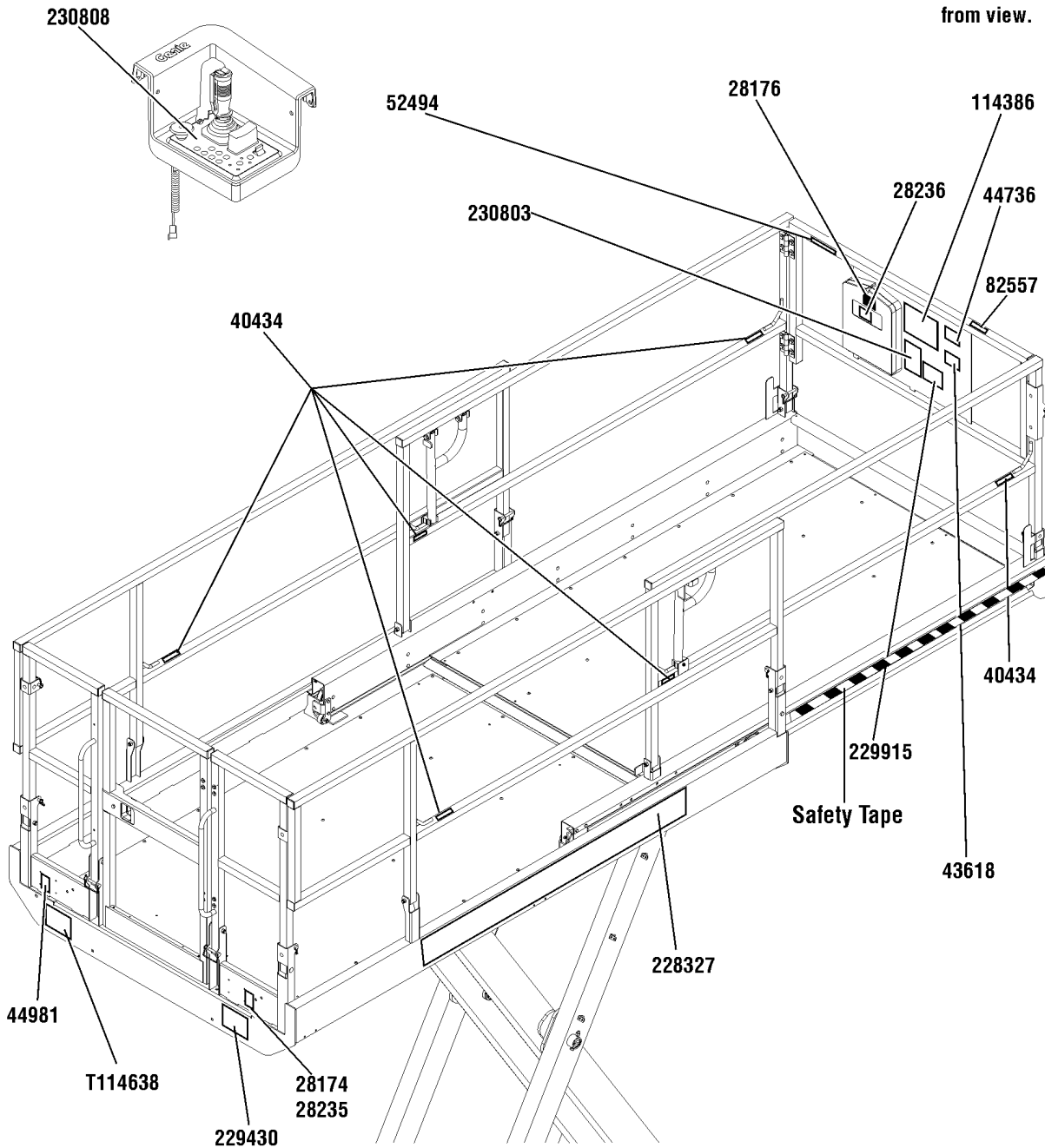
**NOTE:**  
Part numbers with "(FR)" indicates French translation is available

103.1 Decals with Words, GS-2669 Platform, ANSI & CSA

Item	Part No.	Description	Qty.
--		Ref. Word Decal Kits <i>(refer to 101.1)</i>	
1	28174	DECAL,POWER TO PLATFORM 230V.....	1
2	28176	DECAL,LABEL,MANUAL NOT HERE.....	1
3	28235	DECAL,POWER TO PLATFORM 115V.....	1
4	28236	DECAL,WARN,IMPROPER OPERATION.....	1
5	40434	DECAL,LANYARD ANCHORAGE POINT.....	6
6	43618	DECAL,LABEL-DIRECTION ARROWS.....	1
7	44736	DECAL,DANGER,TIP-OVER,TILT....	1
8	44981	DECAL,LABEL,AIRLINE 110 PSI....	1
9	52494	DECAL,CAUTION,CRUSH HAZ, RAILS.....	1
10	82557	DECAL,LABEL,PLAT CONT LOCATION.....	1
11	114386	DECAL,DANGER-GEN SAFETY....	1
12	228327	DECAL,COSMETIC,GENIE GS-2669RT.....	2
13	229915	DECAL,DANGER,OUTRIGGER SAFETY.....	1
14	229916	DECAL,NOTICE,INST,PLAT-GS69RT.	1
15	230808	DECAL,PLAT CONTROL PANEL GS69.....	1
16	T114638	DECAL,NOTICE,MAX CAP GS2669..... <i>(ANSI &amp; CSA models only)</i>	1
17	T114641	DECAL,NOTICE,SIDE FRC,2669 ANS..... <i>(ANSI &amp; CSA models only)</i>	1

# Platform, Australia models

☐ Shading indicates decal is hidden from view.



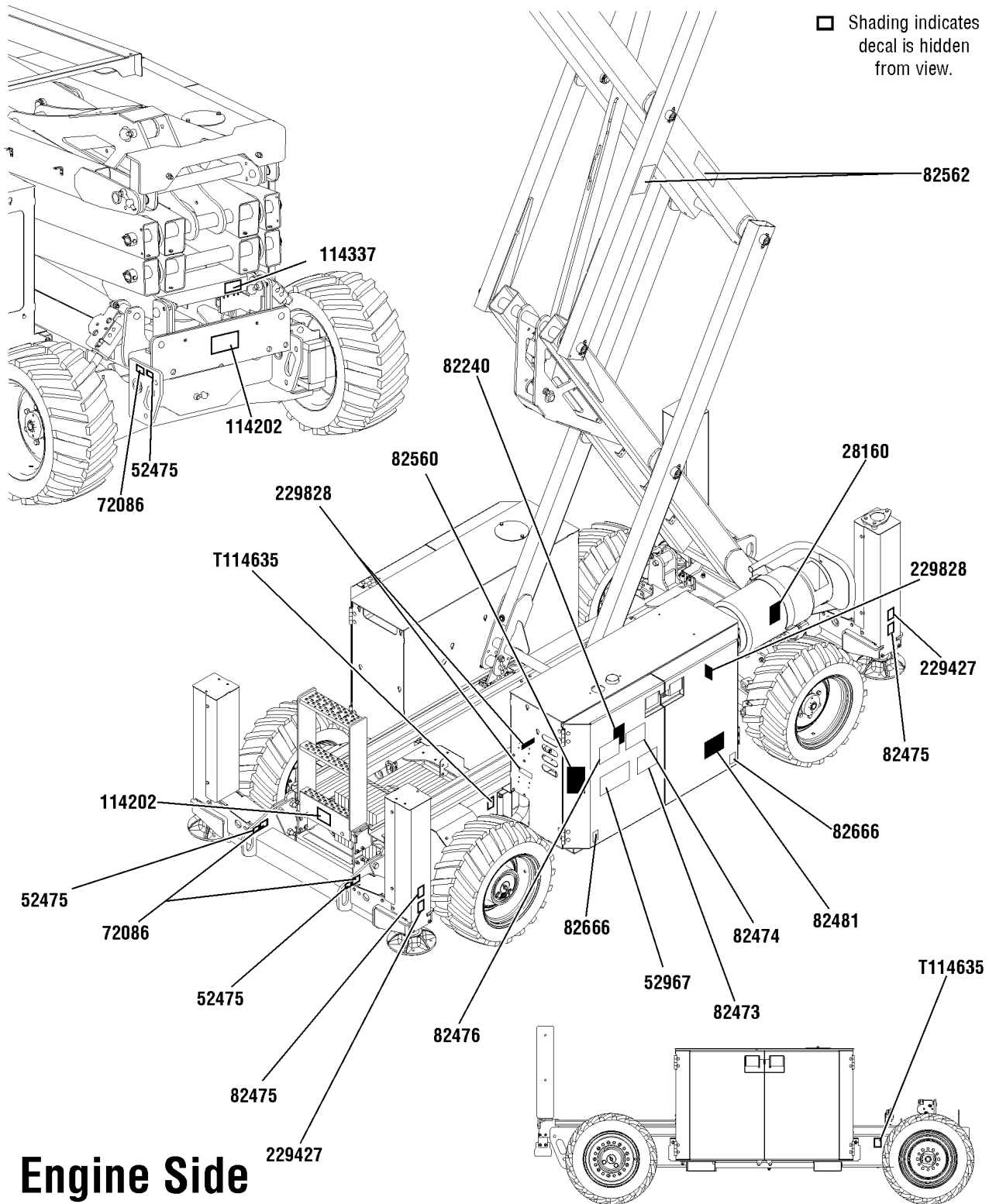


104.1 Decals with Words, GS-2669 Platform, Australia

Item	Part No.	Description	Qty.
--		Ref. Word Decal Kits (refer to 101.1)	
1	28174	DECAL,POWER TO PLATFORM 230V.....	1
2	28176	DECAL,LABEL,MANUAL NOT HERE.....	1
3	28235	DECAL,POWER TO PLATFORM 115V.....	1
4	28236	DECAL,WARN,IMPROPER OPERATION.....	1
5	40434	DECAL,LANYARD ANCHORAGE POINT.....	6
6	43618	DECAL,LABEL-DIRECTION ARROWS.....	1
7	44736	DECAL,DANGER,TIP-OVER,TILT....	1
8	44981	DECAL,LABEL,AIRLINE 110 PSI....	1
9	52494	DECAL,CAUTION,CRUSH HAZ, RAILS.....	1
10	82557	DECAL,LABEL,PLAT CONT LOCATION.....	1
11	114386	DECAL,DANGER-GEN SAFETY....	1
12	228327	DECAL,COSMETIC,GENIE GS-2669RT.....	2
13	229915	DECAL,DANGER,OUTRIGGER SAFETY.....	1
14	230803	DECAL,NOTICE,INST,PLAT-GS69RT.	1
15	230808	DECAL,PLAT CONTROL PANEL GS69.....	1
16	T114638	DECAL,NOTICE,MAX CAP GS2669..... (Australia models only)	1
17	229430	DECAL NOTICE,MAN FRC,2669 AUS..... (Australia models only)	1

105.1 Decals with Symbols, GS-2669, Engine Side

☐ Shading indicates decal is hidden from view.



**Engine Side**

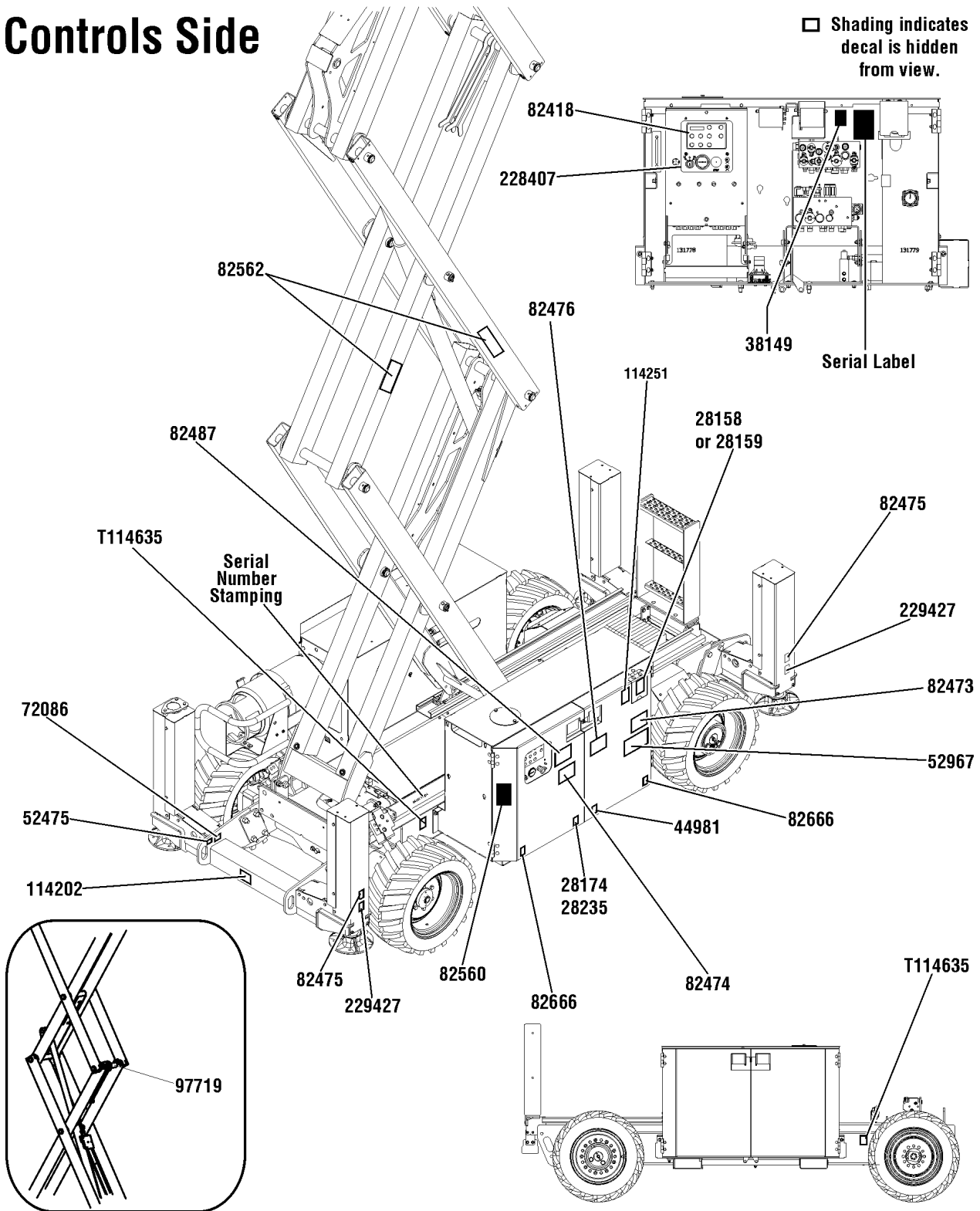
105.1 Decals with Symbols, GS-2669, Engine Side

Item	Part No.	Description	Qty.
--	233040	DECAL KIT,2669 COMP,SYM,ANSI <i>(Decal kit, complete for ANSI models only)</i>	
--	233956	DECAL KIT,2669 COMP,SYM,CE <i>(Decal kit, complete for CE models only)</i>	
--	233959	DECAL KIT,2669 PLAT,SYM,ANSI <i>(Decal kit, platform for Asia &amp; South America models only)</i>	
--	233962	DECAL KIT,2669 PLAT,SYM,CE <i>(Decal kit, platform for CE models only)</i>	
1	28160	DECAL,LABEL,LIQUID PROPANE.....	1
2	52475	DECAL,LABEL,TRANSPORT TIEDOWN*.....	2
3	52967	DECAL,COSMETIC,4 X 4.....	1
4	72086	DECAL,LABEL,LIFTING EYE.....	2
5	82240	DECAL,LABEL,105 DB..... <i>(CE models only)</i>	1
6	82473	DECAL,SYMBOL-COMP ACCESS.....	1
7	82474	DECAL,SYMBOL-USE SAFETY ARM.....	1
8	82475	DECAL,SYMBOL-FOOT CRUSHING.....	2
9	82476	DECAL,SYMBOL-ELEC HAZARD,GS.....	1
10	82481	DECAL,SYMBOL-BATTERY SAFETY.....	1
11	82560	DECAL,SYMBOL-SKIN INJECT HAZRD.....	1
12	82562	DECAL,SYMBOL-CRUSHING HAZARD.....	2
13	82666	DECAL,LABEL,FORKLIFT POCKET.....	2
14	114202	DECAL,LABEL,TRANSPORT TIE 68.....	1
15	114337	DECAL,SYM-TIP-OVR,LIM SWITCH.....	1
16	229427	DECAL,LABEL,OUTRIGGER LD.....	2
17	229828	DECAL,LABEL,HOT,SYMBOL.....	3
18	T114635	DECAL,LABEL,WHEEL LD,GS2669RT.....	2

106.1 Decals with Symbols, GS-2669, Controls Side

# Controls Side

☐ Shading indicates decal is hidden from view.

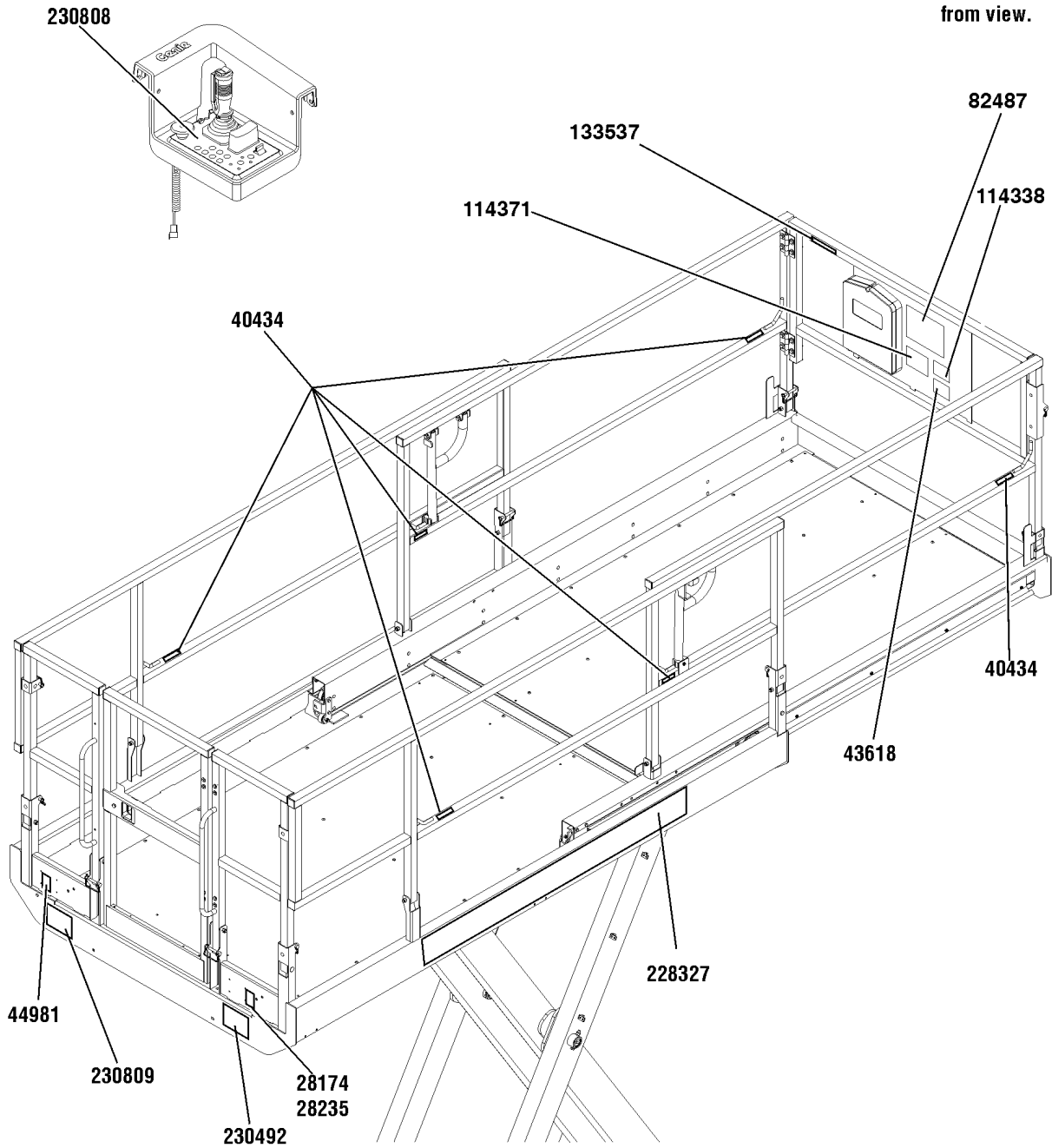


## 106.1 Decals with Symbols, GS-2669, Controls Side

Item	Part No.	Description	Qty.
--		Ref. Symbol Decal Kits (refer to 105.1)	
1	28158	DECAL,LABEL,UNLEADED GAS ONLY.....	1
2	28159	DECAL,DIESEL.....	1
3	28174	DECAL,POWER TO PLATFORM 230V.....	1
4	28235	DECAL,POWER TO PLATFORM 115V.....	1
5	38149	DECAL,LABEL,PATENTS..... (US models only)	1
6	44981	DECAL,LABEL,AIRLINE 110 PSI.....	1
7	52475	DECAL,LABEL,TRANSPORT TIEDOWN*.....	2
8	52967	DECAL,COSMETIC,4 X 4.....	1
9	72086	DECAL,LABEL,LIFTING EYE.....	2
10	82418	DECAL,GROUND CONTROL PANEL.....	1
11	82473	DECAL,SYMBOL-COMP ACCESS.....	1
12	82474	DECAL,SYMBOL-USE SAFETY ARM.....	1
13	82475	DECAL,SYMBOL-FOOT CRUSHING.....	2
14	82476	DECAL,SYMBOL-ELEC HAZARD,GS.....	1
15	82487	DECAL,SYMBOL-READ THE MANUAL.....	1
16	82560	DECAL,SYMBOL-SKIN INJECT HAZRD.....	1
17	82562	DECAL,SYMBOL-CRUSHING HAZARD.....	2
18	82666	DECAL,LABEL,FORKLIFT POCKET.....	2
19	97719	DECAL, LABEL, SAFETY ARM SYMB.....	1
20	114202	DECAL,LABEL,TRANSPORT TIE 68.....	1
21	114251	DECAL,LABEL,NO SMOKING,SYMB.....	1
22	228407	DECAL,GROUND CONTROL PANEL.....	1
23	229427	DECAL,LABEL,OUTRIGGER LD.....	2
24	T114635	DECAL,LABEL,WHEEL LD,GS2669RT.....	2

# Platform, ANSI models

☐ Shading indicates decal is hidden from view.



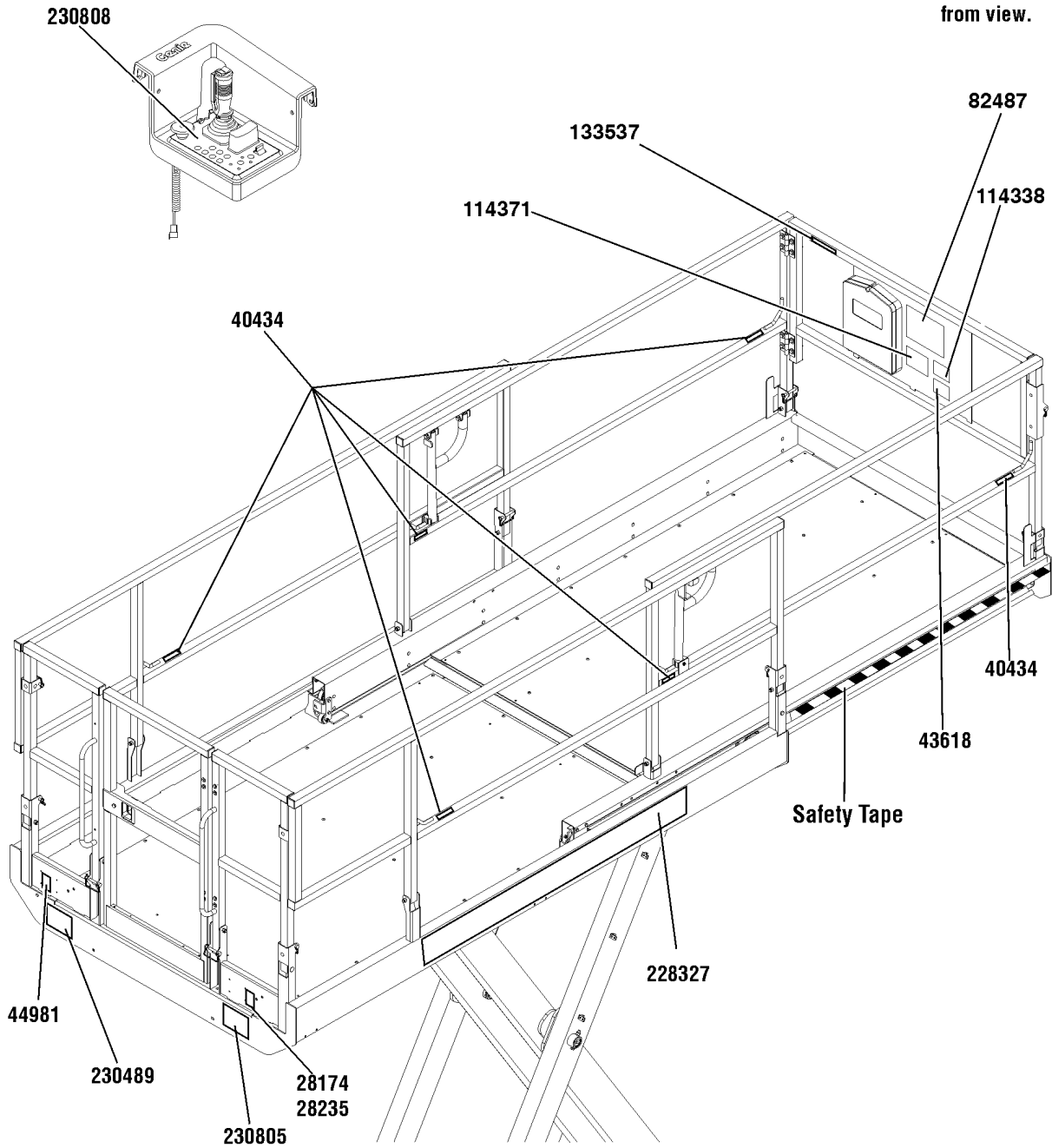
107.1 Decals with Symbols, GS-2669 Platform, Asia & South America

Item	Part No.	Description	Qty.
--		Ref. Symbol Decal Kits <i>(refer to 105.1)</i>	
1	28174	DECAL,POWER TO PLATFORM 230V.....	1
2	28235	DECAL,POWER TO PLATFORM 115V.....	1
3	40434	DECAL,LANYARD ANCHORAGE POINT.....	6
4	43618	DECAL,LABEL-DIRECTION ARROWS.....	1
5	44981	DECAL,LABEL,AIRLINE 110 PSI.....	1
6	82487	DECAL,SYMBOL-READ THE MANUAL.....	1
7	114338	DECAL,SYM-TIP-OVR,TILT ALARM.....	1
8	114371	DECAL,SYM-TIP-OVER,OUTRGR..	1
9	133537	DECAL,CRUSH HAZ RAILS SYMB.....	1
10	228327	DECAL,COSMETIC,GENIE GS-2669RT.....	2
11	230492	DECAL,DANGER,SIDE FRC,GS2669..... <i>(Asia &amp; S. America models only)</i>	1
12	230808	DECAL,PLAT CONTROL PANEL GS69.....	1
13	230809	DECAL,NOTICE,MAX CAP GS2669..... <i>(Asia &amp; S. America models only)</i>	1



# Platform, CE models

☐ Shading indicates decal is hidden from view.



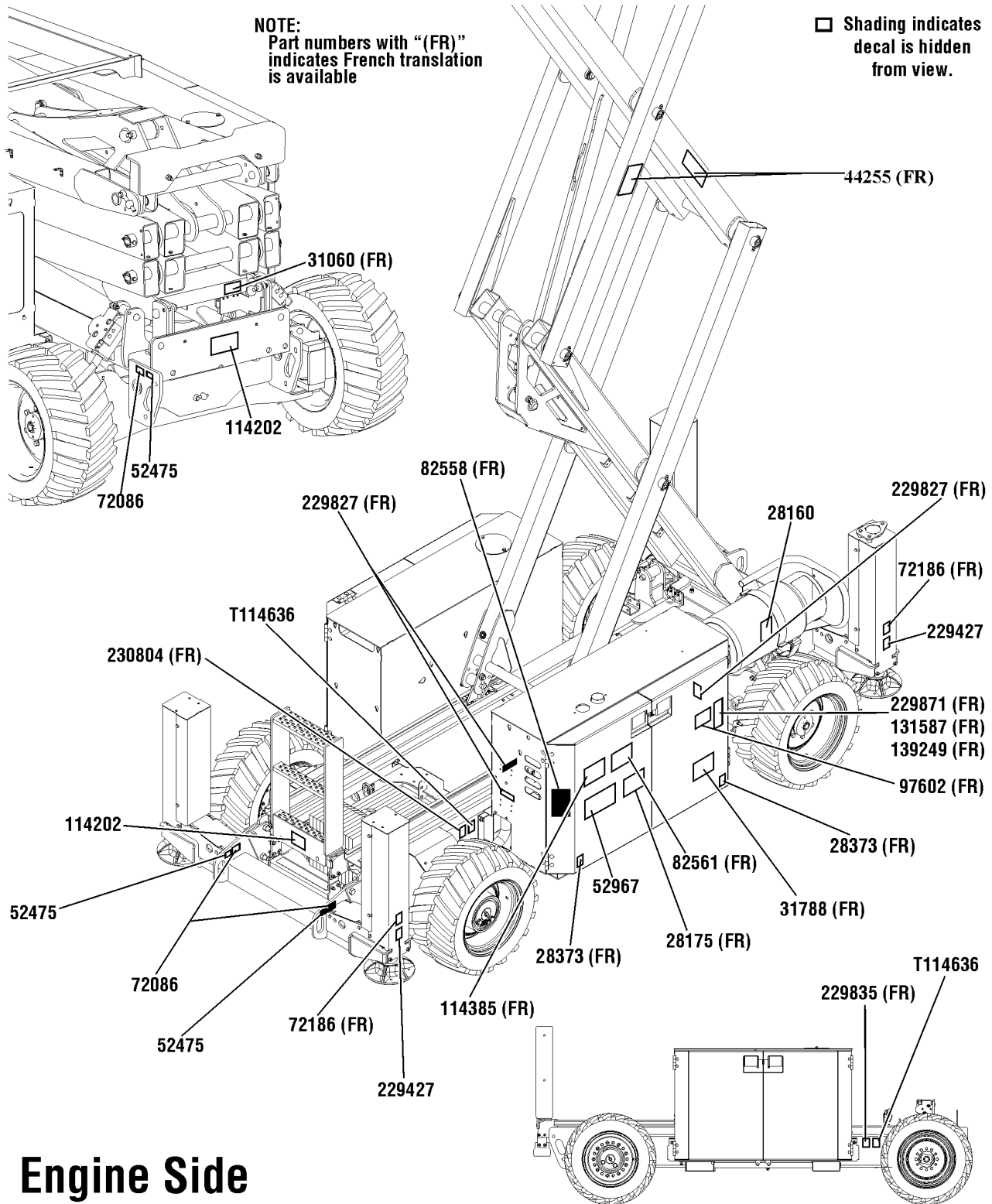


108.1 Decals with Symbols, GS-2669 Platform, CE

Item	Part No.	Description	Qty.
--		Ref. Symbol Decal Kits <i>(refer to 105.1)</i>	
1	28174	DECAL,POWER TO PLATFORM 230V.....	1
2	28235	DECAL,POWER TO PLATFORM 115V.....	1
3	40434	DECAL,LANYARD ANCHORAGE POINT.....	6
4	43618	DECAL,LABEL-DIRECTION ARROWS.....	1
5	44981	DECAL,LABEL,AIRLINE 110 PSI.....	1
6	82487	DECAL,SYMBOL-READ THE MANUAL.....	1
7	114338	DECAL,SYM-TIP-OVR,TILT ALARM.....	1
8	114371	DECAL,SYM-TIP-OVER,OUTRGR..	1
9	133537	DECAL,CRUSH HAZ RAILS SYMB.....	1
10	228327	DECAL,COSMETIC,GENIE GS-2669RT.....	2
11	230489	DECAL,NOTICE,MAX CAP GS2669..... <i>(CE models only)</i>	1
12	230808	DECAL,PLAT CONTROL PANEL GS69.....	1
13	230805	DECAL,DANGER,MAN FRC, GS2669..... <i>(CE models only)</i>	1



109.1 Decals with Words, GS-3369, Engine Side



109.1 Decals with Words, GS-3369, Engine Side

Item	Part No.	Description	Qty.	Item	Part No.	Description	Qty.
--	233042	DECAL KIT, 3369 COMP,WRD,ANSI <i>(Decal kit, complete for ANSI models only)</i>		21	229871	DECAL,NOTICE,KUBOTA GAS SPECS.....	1
--	233045	DECAL KIT, 3369 COMP,WRD,AUS <i>(Decal kit, complete for AUS models only)</i>		22	230804	DECAL,NOTICE,TIRE SPECS, REAR..... <i>(non-steer end)</i>	1
--	233048	DECAL KIT, 3369 PLAT,WRD,ANSI <i>(Decal kit, platform for ANSI models only)</i>		23	T114636	DECAL,LABEL,WHEEL LD,GS3369RT.....	2
--	233801	DECAL KIT, 3369 PLAT,WRD,AUS <i>(Decal kit, platform for AUS models only)</i>					
1	28160	DECAL,LABEL,LIQUID PROPANE.....	1				
2	28175	DECAL,COMPARTMENT ACCESS.....	1				
3	28373	DECAL,FORK LIFT POCKET.....	2				
4	31060	DECAL,DANGER DO NOT ALTER SWTC.....	1				
5	31788	DECAL,DANGER,BATTERY SAFETY*** .....	1				
6	44255	DECAL,DANGER,CRUSHING HAZARD.....	2				
7	52475	DECAL,LABEL,TRANSPORT TIEDOWN*.....	2				
8	52967	DECAL,COSMETIC,4 X 4.....	1				
9	72086	DECAL,LABEL,LIFTING EYE.....	2				
10	72186	DECAL,WARNING,CRUSHING HAZARD.....	2				
11	82558	DECAL,SKIN INJECTION.....	1				
12	82561	DECAL,DANGER-USE SAFETY ARM.....	1				
13	97602	DECAL,EXPLOSION HAZARD.....	1				
14	114202	DECAL,LABEL,TRANSPORT TIE 68.....	1				
15	114385	DECAL,DANGER,ELEC HAZARD,GS.....	1				
16	131587	DECAL,NOTICE,KUB,D1105,T4.....	1				
17	139249	DECAL,NOTICE,PERKINS 403D SPEC.....	1				
18	229427	DECAL,LABEL,OUTRIGGER LD.....	2				
19	229827	DECAL,WARNING,HOT SURFACE.....	3				
20	229835	DECAL,NOTICE,TIRE SPECS..... <i>(steer end)</i>	1				

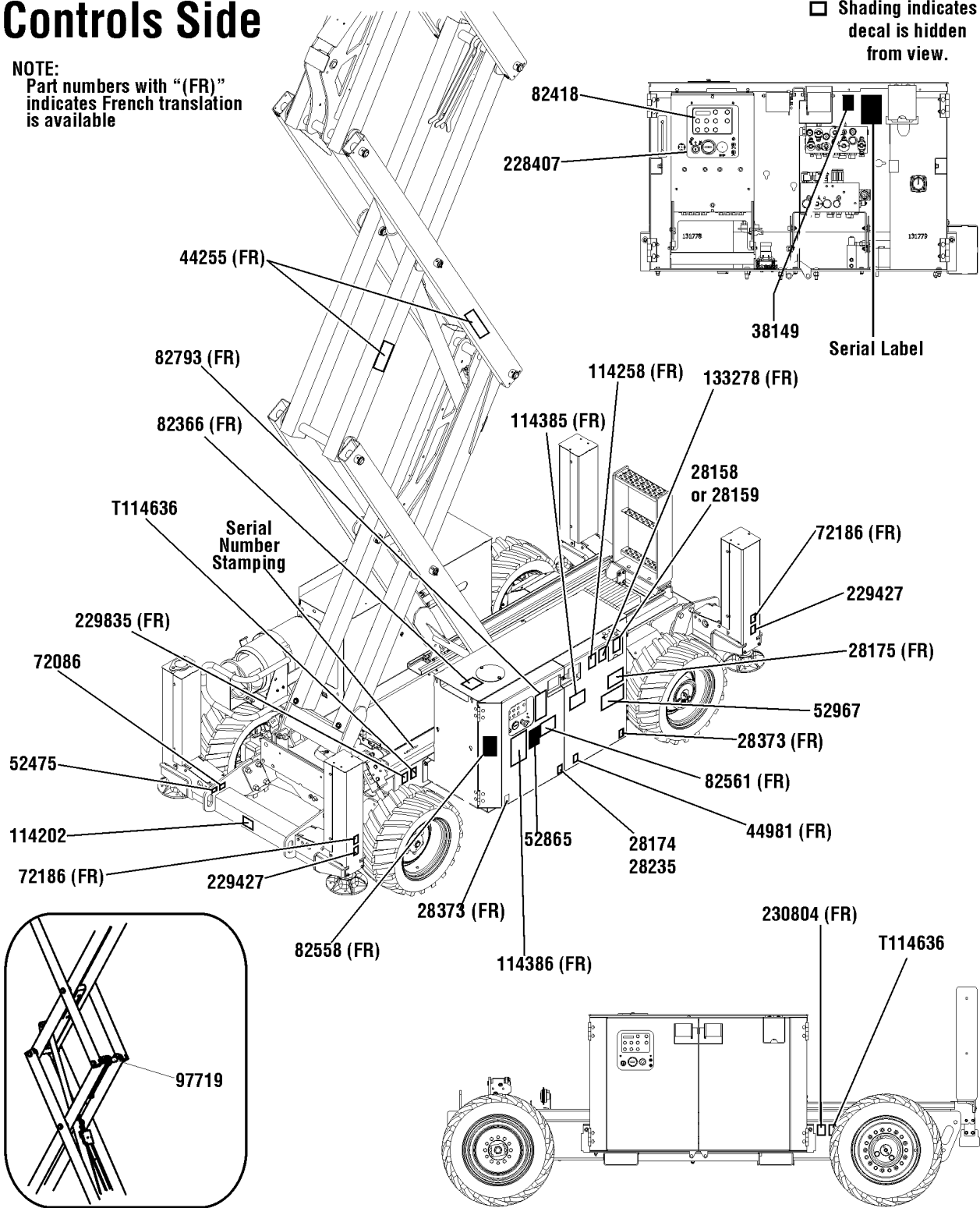


110.1 Decals with Words, GS-3369, Controls Side

# Controls Side

**NOTE:**  
Part numbers with "(FR)" indicates French translation is available

☐ Shading indicates decal is hidden from view.



110.1 Decals with Words, GS-3369, Controls Side

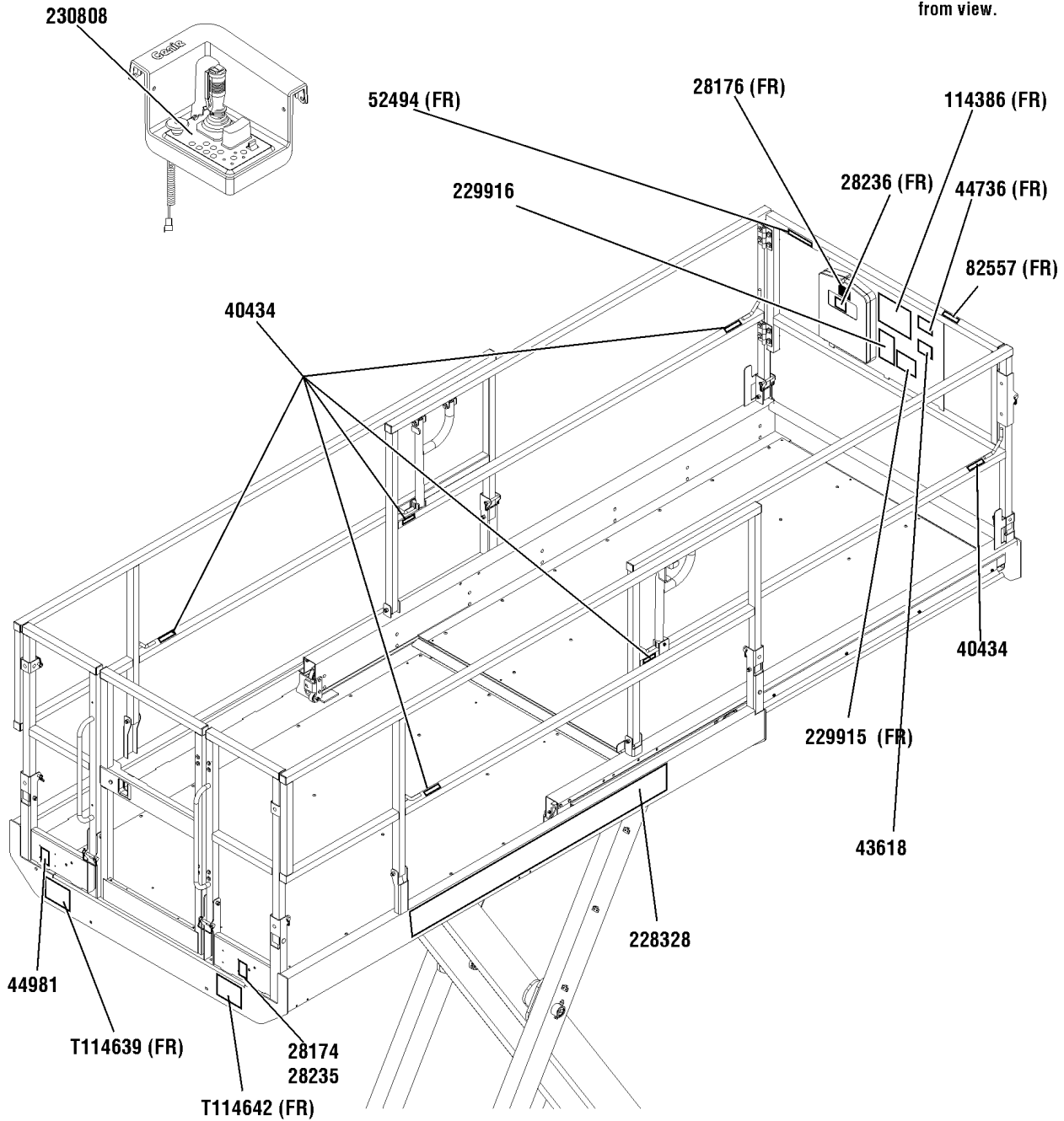
Item	Part No.	Description	Qty.	Item	Part No.	Description	Qty.
--		Ref. Word Decal Kits <i>(refer to 109.1)</i>		27	229427	DECAL,LABEL,OUTRIGGER LD.....	2
1	28158	DECAL,LABEL,UNLEADED GAS ONLY.....	1	28	229835	DECAL,NOTICE,TIRE SPECS..... <i>(steer end)</i>	1
2	28159	DECAL,DIESEL.....	1	29	230804	DECAL,NOTICE,TIRE SPECS, REAR..... <i>(non-steer end)</i>	1
3	28174	DECAL,POWER TO PLATFORM 230V.....	1	30	T114636	DECAL,LABEL,WHEEL LD,GS3369RT.....	2
4	28175	DECAL,COMPARTMENT ACCESS.....	1				
5	28235	DECAL,POWER TO PLATFORM 115V.....	1				
6	28373	DECAL,FORK LIFT POCKET.....	2				
7	38149	DECAL,LABEL,PATENTS..... <i>(US models only)</i>	1				
8	44255	DECAL,DANGER,CRUSHING HAZARD.....	2				
9	44981	DECAL,LABEL,AIRLINE 110 PSI.....	1				
10	52475	DECAL,LABEL,TRANSPORT TIEDOWN*.....	2				
11	52865	DECAL,ANNUAL INSP***.....	1				
12	52967	DECAL,COSMETIC,4 X 4.....	1				
13	72086	DECAL,LABEL,LIFTING EYE.....	2				
14	72186	DECAL,WARNING,CRUSHING HAZARD.....	2				
15	82366	DECAL,CHEVRON RANDO HD.....	1				
16	82418	DECAL,GROUND CONTROL PANEL.....	1				
17	82558	DECAL,SKIN INJECTION.....	1				
18	82561	DECAL,DANGER-USE SAFETY ARM.....	1				
19	82793	DECAL,NOTICE,OP INST,GROUND.....	1				
20	97719	DECAL, LABEL, SAFETY ARM SYMB.....	1				
21	114202	DECAL,LABEL,TRANSPORT TIE 68.....	1				
22	114258	DECAL,DANGER,NO SMOKING.....	1				
23	114385	DECAL,DANGER,ELEC HAZARD,GS.....	1				
24	114386	DECAL,DANGER-GEN SAFETY.....	1				
25	133278	DECAL,LOW/ULTRA LOW SULFR FUEL..... <i>(diesel models only)</i>	1				
26	228407	DECAL,GROUND CONTROL PANEL.....	1				



111.1 Decals with Words, GS-3369 Platform, ANSI & CSA

# Platform, ANSI/CSA models

☐ Shading indicates decal is hidden from view.



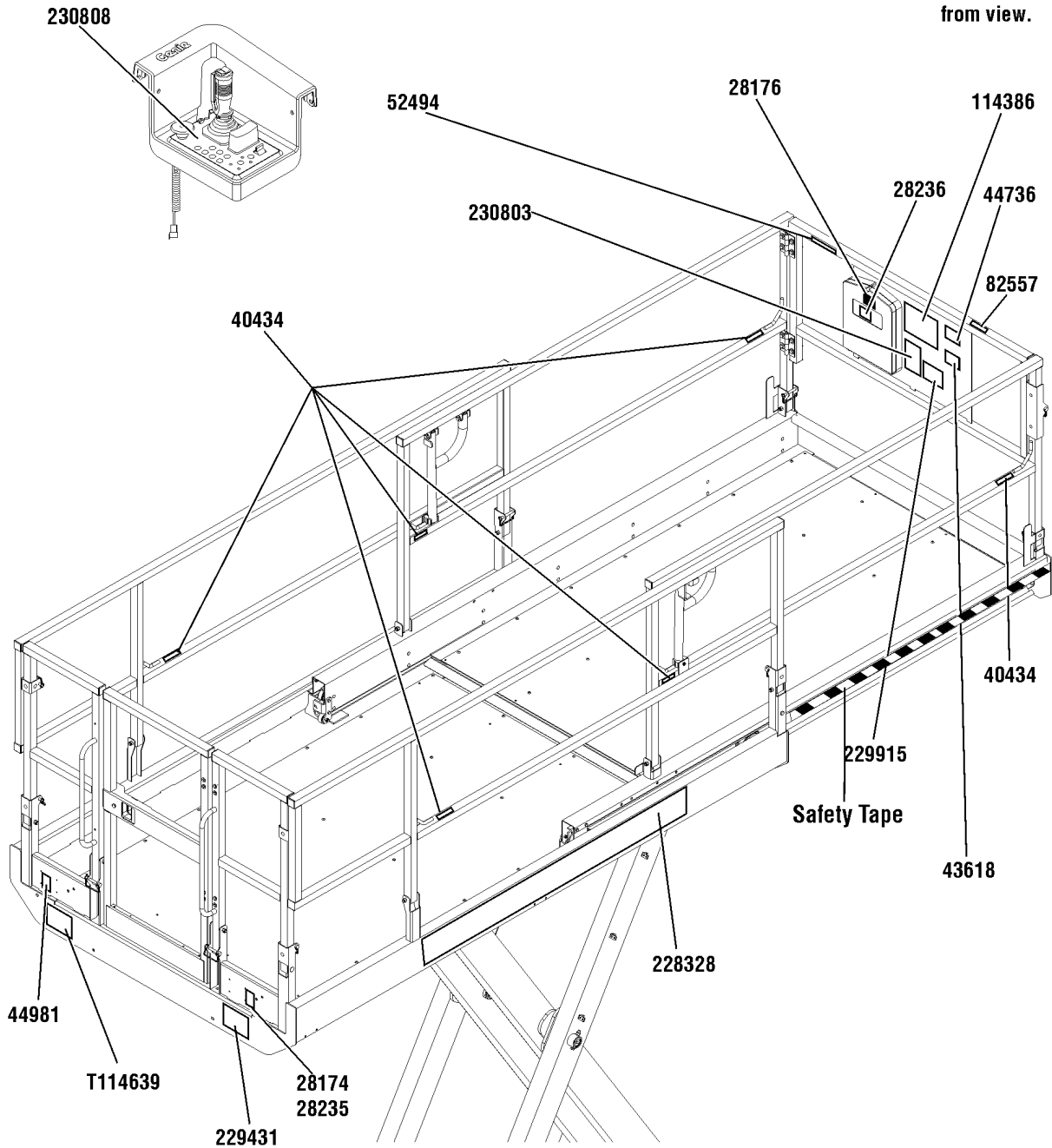
**NOTE:**  
Part numbers with "(FR)" indicates French translation is available

111.1 Decals with Words, GS-3369 Platform, ANSI & CSA

Item	Part No.	Description	Qty.
--		Ref. Word Decal Kits <i>(refer to 109.1)</i>	
1	28174	DECAL,POWER TO PLATFORM 230V.....	1
2	28176	DECAL,LABEL,MANUAL NOT HERE.....	1
3	28235	DECAL,POWER TO PLATFORM 115V.....	1
4	28236	DECAL,WARN,IMPROPER OPERATION.....	1
5	40434	DECAL,LANYARD ANCHORAGE POINT.....	6
6	43618	DECAL,LABEL-DIRECTION ARROWS.....	1
7	44736	DECAL,DANGER,TIP-OVER,TILT....	1
8	44981	DECAL,LABEL,AIRLINE 110 PSI....	1
9	52494	DECAL,CAUTION,CRUSH HAZ, RAILS.....	1
10	82557	DECAL,LABEL,PLAT CONT LOCATION.....	1
11	114386	DECAL,DANGER-GEN SAFETY....	1
12	228328	DECAL,COSMETIC,GENIE GS-3369RT.....	2
13	229915	DECAL,DANGER,OUTRIGGER SAFETY.....	1
14	229916	DECAL,NOTICE,INST,PLAT-GS69RT.	1
15	230808	DECAL,PLAT CONTROL PANEL GS69.....	1
16	T114639	DECAL,NOTICE,MAX CAP,GS3369..... <i>(ANSI &amp; CSA modes only)</i>	1
17	T114642	DECAL,NOTICE,SIDE FRC,3369 ANS..... <i>(ANSI &amp; CSA modes only)</i>	1

# Platform, Australia models

☐ Shading indicates decal is hidden from view.



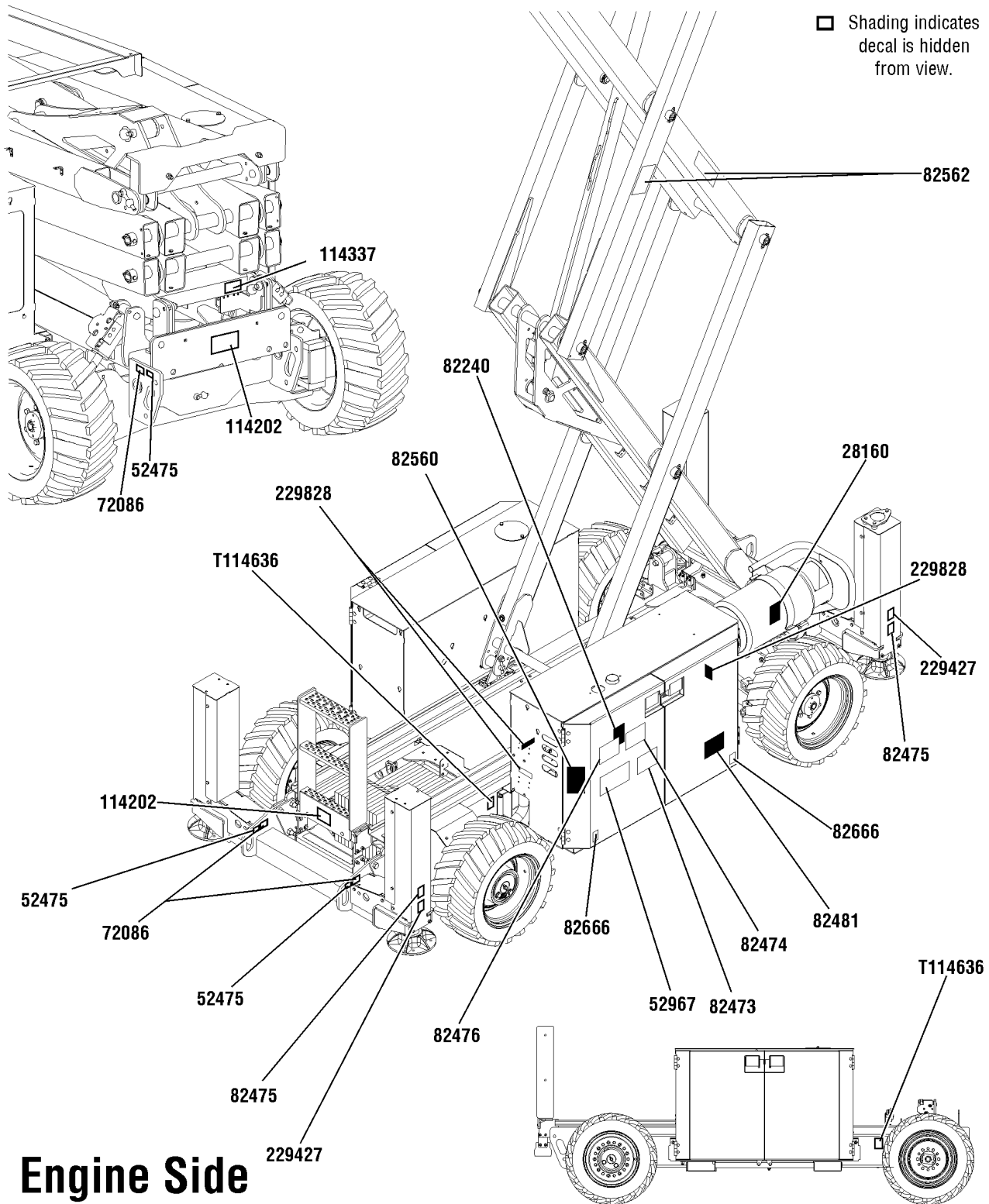


112.1 Decals with Words, GS-3369 Platform, Australia

Item	Part No.	Description	Qty.
--		Ref. Word Decal Kits (refer to 109.1)	
1	28174	DECAL,POWER TO PLATFORM 230V.....	1
2	28176	DECAL,LABEL,MANUAL NOT HERE.....	1
3	28235	DECAL,POWER TO PLATFORM 115V.....	1
4	28236	DECAL,WARN,IMPROPER OPERATION.....	1
5	40434	DECAL,LANYARD ANCHORAGE POINT.....	6
6	43618	DECAL,LABEL-DIRECTION ARROWS.....	1
7	44736	DECAL,DANGER,TIP-OVER,TILT....	1
8	44981	DECAL,LABEL,AIRLINE 110 PSI....	1
9	52494	DECAL,CAUTION,CRUSH HAZ, RAILS.....	1
10	82557	DECAL,LABEL,PLAT CONT LOCATION.....	1
11	114386	DECAL,DANGER-GEN SAFETY....	1
12	228328	DECAL,COSMETIC,GENIE GS-3369RT.....	2
13	229915	DECAL,DANGER,OUTRIGGER SAFETY.....	1
14	230803	DECAL,NOTICE,INST,PLAT-GS69RT.	1
15	230808	DECAL,PLAT CONTROL PANEL GS69.....	1
16	230490	DECAL,NOTICE,MAX CAP GS3369..... (Australia models only)	1
17	229431	DECAL,NOTICE,MAN FRC,3369 AUS..... (Australia models only)	1

113.1 Decals with Symbols, GS-3369, Engine Side

☐ Shading indicates decal is hidden from view.



**Engine Side**

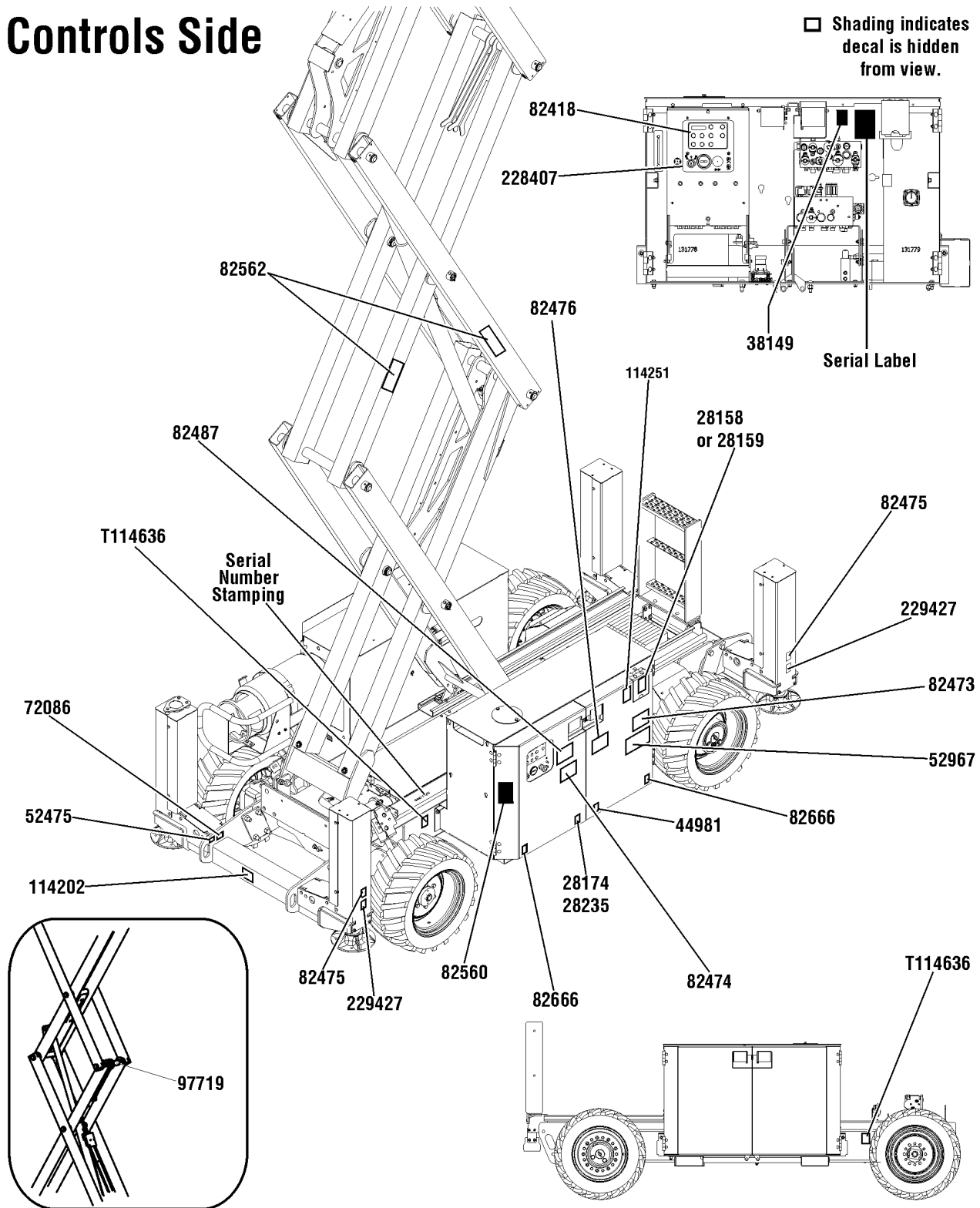
113.1 Decals with Symbols, GS-3369, Engine Side

Item	Part No.	Description	Qty.
--	233954	DECAL KIT,3369 COMP,SYM,ANSI <i>(Decal kit, complete for ANSI models only)</i>	
--	233957	DECAL KIT,3369 COMP,SYM,CE <i>(Decal kit, complete for CE models only)</i>	
--	233960	DECAL KIT,3369 PLAT,SYM,ANSI <i>(Decal kit, platform for Asia &amp; South America models only)</i>	
--	233963	DECAL KIT,3369 PLAT,SYM,CE <i>(Decal kit, platform for CE models only)</i>	
1	28160	DECAL,LABEL,LIQUID PROPANE.....	1
2	52475	DECAL,LABEL,TRANSPORT TIEDOWN*.....	2
3	52967	DECAL,COSMETIC,4 X 4.....	1
4	72086	DECAL,LABEL,LIFTING EYE.....	2
5	82240	DECAL,LABEL,105 DB..... <i>(CE models only)</i>	1
6	82473	DECAL,SYMBOL-COMP ACCESS.....	1
7	82474	DECAL,SYMBOL-USE SAFETY ARM.....	1
8	82475	DECAL,SYMBOL-FOOT CRUSHING.....	2
9	82476	DECAL,SYMBOL-ELEC HAZARD,GS.....	1
10	82481	DECAL,SYMBOL-BATTERY SAFETY.....	1
11	82560	DECAL,SYMBOL-SKIN INJECT HAZRD.....	1
12	82562	DECAL,SYMBOL-CRUSHING HAZARD.....	2
13	82666	DECAL,LABEL,FORKLIFT POCKET.....	2
14	114202	DECAL,LABEL,TRANSPORT TIE 68.....	1
15	114337	DECAL,SYM-TIP-OVR,LIM SWITCH.....	1
16	229427	DECAL,LABEL,OUTRIGGER LD.....	2
17	229828	DECAL,LABEL,HOT,SYMBOL.....	3
18	T114636	DECAL,LABEL,WHEEL LD,GS3369RT.....	2

114.1 Decals with Symbols, GS-3369, Controls Side

# Controls Side

☐ Shading indicates decal is hidden from view.

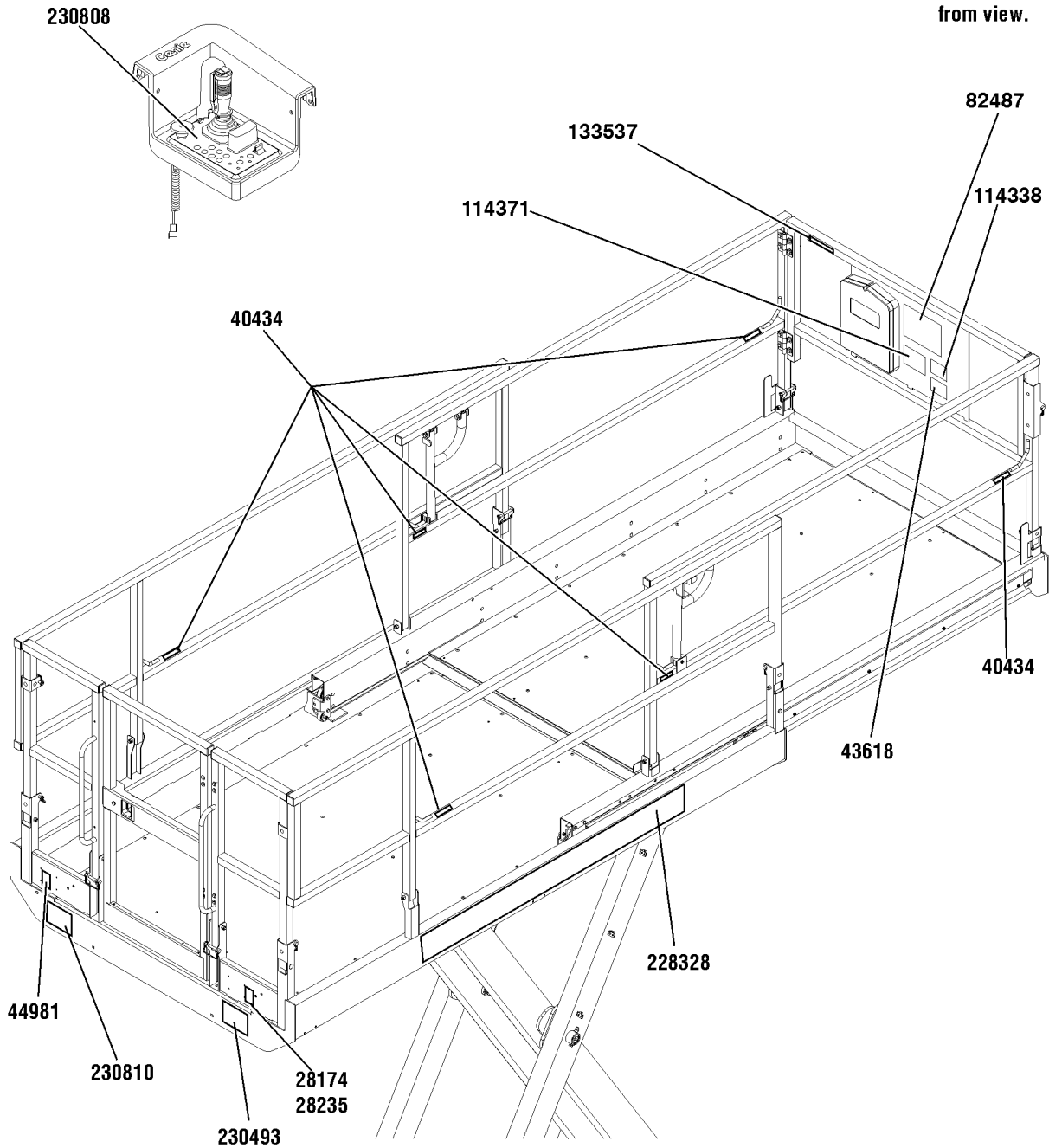


## 114.1 Decals with Symbols, GS-3369, Controls Side

Item	Part No.	Description	Qty.
--		Ref. Symbol Decal Kits (refer to 113.1)	
1	28158	DECAL,LABEL,UNLEADED GAS ONLY.....	1
2	28159	DECAL,DIESEL.....	1
3	28174	DECAL,POWER TO PLATFORM 230V.....	1
4	28235	DECAL,POWER TO PLATFORM 115V.....	1
5	38149	DECAL,LABEL,PATENTS..... (US models only)	1
6	44981	DECAL,LABEL,AIRLINE 110 PSI.....	1
7	52475	DECAL,LABEL,TRANSPORT TIEDOWN*.....	2
8	52967	DECAL,COSMETIC,4 X 4.....	1
9	72086	DECAL,LABEL,LIFTING EYE.....	2
10	82418	DECAL,GROUND CONTROL PANEL.....	1
11	82473	DECAL,SYMBOL-COMP ACCESS.....	1
12	82474	DECAL,SYMBOL-USE SAFETY ARM.....	1
13	82475	DECAL,SYMBOL-FOOT CRUSHING.....	2
14	82476	DECAL,SYMBOL-ELEC HAZARD,GS.....	1
15	82487	DECAL,SYMBOL-READ THE MANUAL.....	1
16	82560	DECAL,SYMBOL-SKIN INJECT HAZRD.....	1
17	82562	DECAL,SYMBOL-CRUSHING HAZARD.....	2
18	82666	DECAL,LABEL,FORKLIFT POCKET.....	2
19	97719	DECAL, LABEL, SAFETY ARM SYMB.....	1
20	114202	DECAL,LABEL,TRANSPORT TIE 68.....	1
21	114251	DECAL,LABEL,NO SMOKING,SYMB.....	1
22	228407	DECAL,GROUND CONTROL PANEL.....	1
23	229427	DECAL,LABEL,OUTRIGGER LD.....	2
24	T114636	DECAL,LABEL,WHEEL LD,GS3369RT.....	2

# Platform, ANSI models

☐ Shading indicates decal is hidden from view.

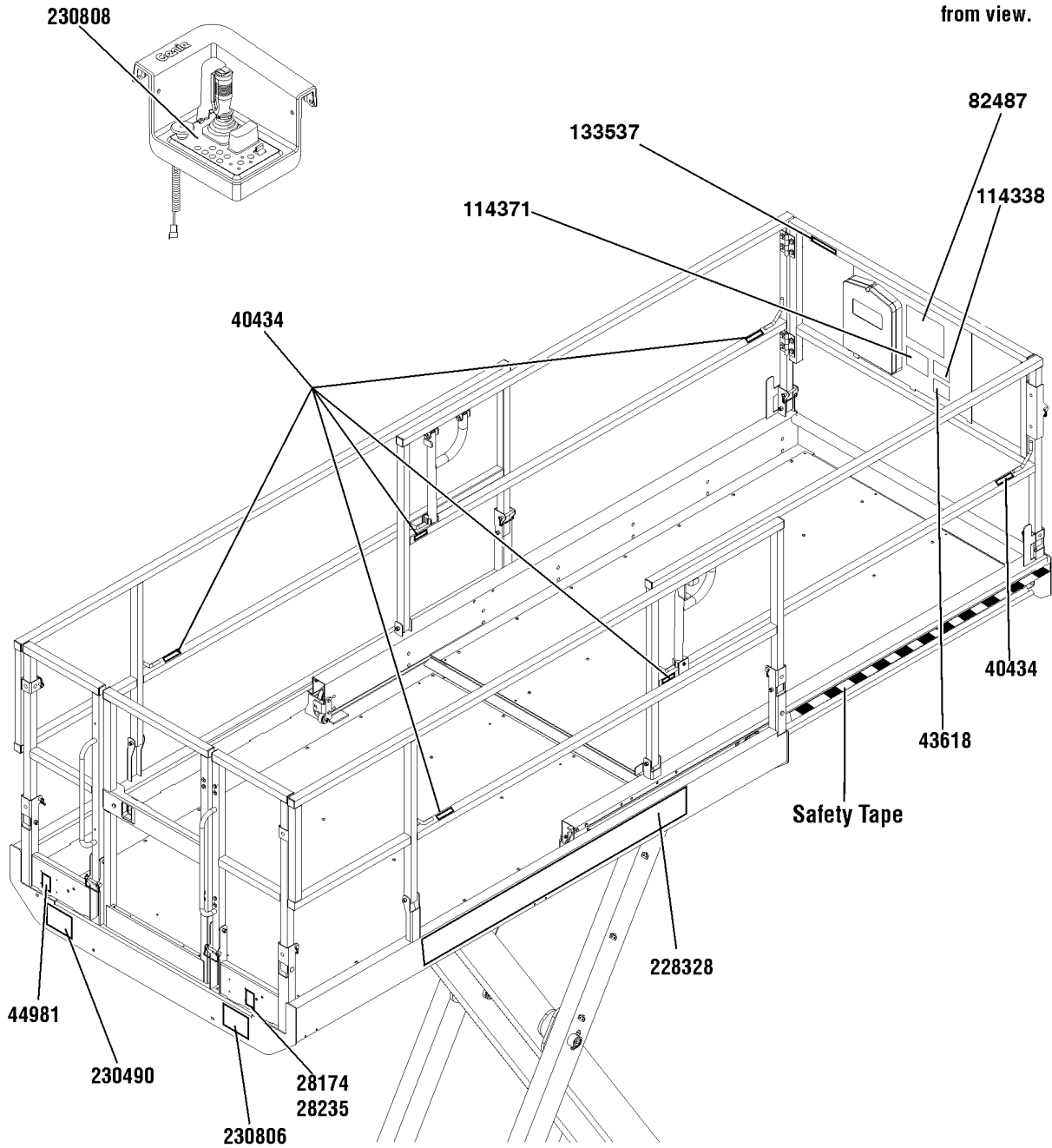


115.1 Decals with Symbols, GS-3369 Platform, Asia & South America

Item	Part No.	Description	Qty.
--		Ref. Symbol Decal Kits <i>(refer to 113.1)</i>	
1	28174	DECAL,POWER TO PLATFORM 230V.....	1
2	28235	DECAL,POWER TO PLATFORM 115V.....	1
3	40434	DECAL,LANYARD ANCHORAGE POINT.....	6
4	43618	DECAL,LABEL-DIRECTION ARROWS.....	1
5	44981	DECAL,LABEL,AIRLINE 110 PSI.....	1
6	82487	DECAL,SYMBOL-READ THE MANUAL.....	1
7	114338	DECAL,SYM-TIP-OVR,TILT ALARM.....	1
8	114371	DECAL,SYM-TIP-OVER,OUTRGR..	1
9	133537	DECAL,CRUSH HAZ RAILS SYMB.....	1
10	228328	DECAL,COSMETIC,GENIE GS-3369RT.....	2
11	230493	DECAL,DANGER,SIDE FRC,GS3369..... <i>(Asia &amp; S. America models only)</i>	2
12	230808	DECAL,PLAT CONTROL PANEL GS69.....	1
13	230810	DECAL,NOTICE,MAX CAP GS3369..... <i>(Asia &amp; S. America models only)</i>	1

# Platform, CE models

☐ Shading indicates decal is hidden from view.

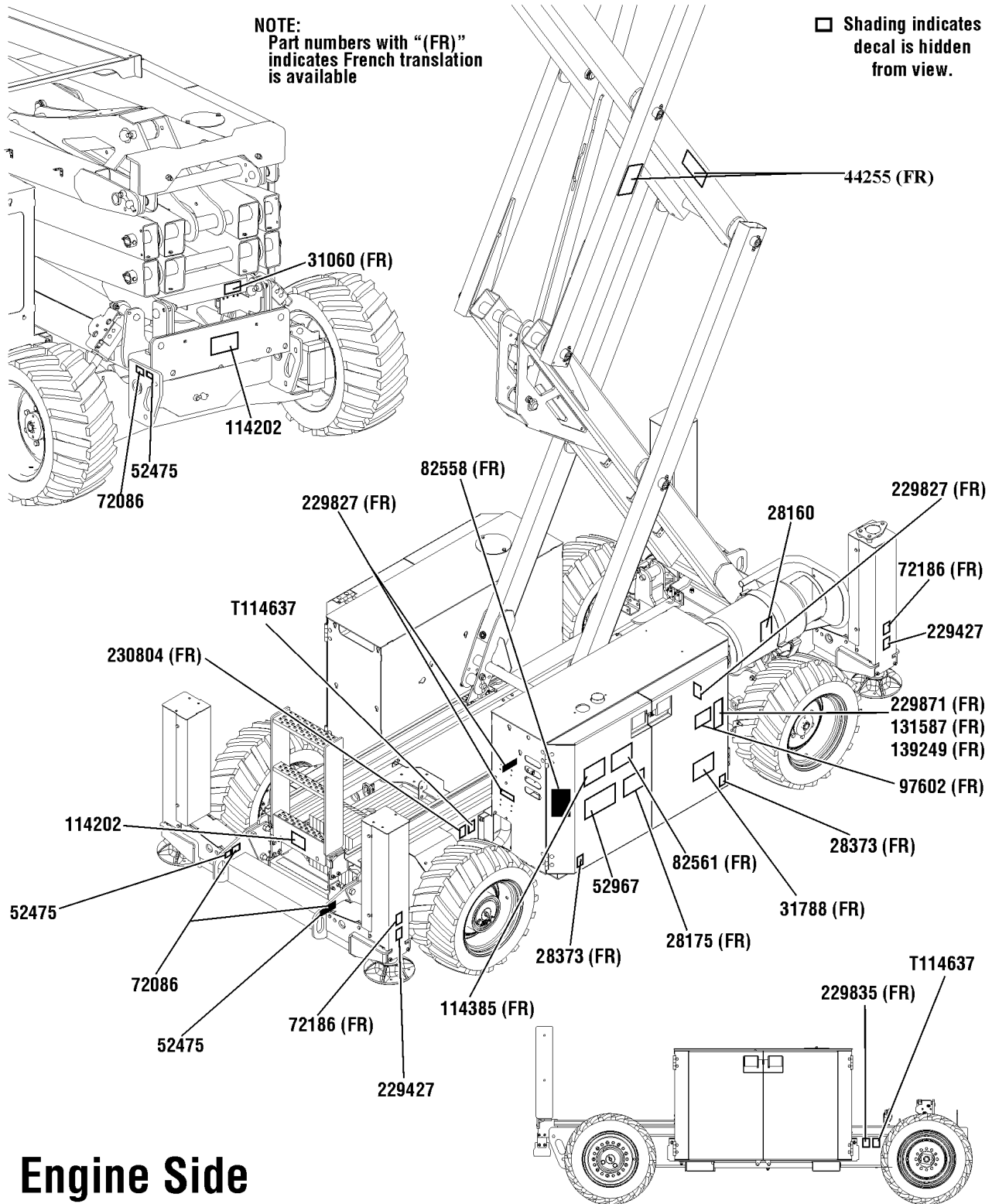




116.1 Decals with Symbols, GS-3369 Platform, CE

Item	Part No.	Description	Qty.
--		Ref. Symbol Decal Kits <i>(refer to 113.1)</i>	
1	28174	DECAL,POWER TO PLATFORM 230V.....	1
2	28235	DECAL,POWER TO PLATFORM 115V.....	1
3	40434	DECAL,LANYARD ANCHORAGE POINT.....	6
4	43618	DECAL,LABEL-DIRECTION ARROWS.....	1
5	44981	DECAL,LABEL,AIRLINE 110 PSI.....	1
6	82487	DECAL,SYMBOL-READ THE MANUAL.....	1
7	114338	DECAL,SYM-TIP-OVR,TILT ALARM.....	1
8	114371	DECAL,SYM-TIP-OVER,OUTRGR..	1
9	133537	DECAL,CRUSH HAZ RAILS SYMB.....	1
10	228328	DECAL,COSMETIC,GENIE GS-3369RT.....	2
11	230490	DECAL,NOTICE,MAX CAP GS3369..... <i>(CE models only)</i>	1
12	230808	DECAL,PLAT CONTROL PANEL GS69.....	1
13	230806	DECAL,DANGER,MAN FRC, GS3369..... <i>(CE models only)</i>	1

117.1 Decals with Words, GS-4069, Engine Side



117.1 Decals with Words, GS-4069, Engine Side

Item	Part No.	Description	Qty.	Item	Part No.	Description	Qty.
--	233043	DECAL KIT, 4069 COMP,WRD,ANSI <i>(Decal kit, complete for ANSI models only)</i>		21	229871	DECAL,NOTICE,KUBOTA GAS SPECS.....	1
--	233046	DECAL KIT, 4069 COMP,WRD,AUS <i>(Decal kit, complete for AUS models only)</i>		22	230804	DECAL,NOTICE,TIRE SPECS, REAR.....	1
--	233799	DECAL KIT, 4069 PLAT,WRD,ANSI <i>(Decal kit, platform for ANSI models only)</i>		23	T114637	DECAL,LABEL,WHEEL LD,GS4069RT.....	2
--	233802	DECAL KIT, 4069 PLAT,WRD,AUS <i>(Decal kit, platform for AUS models only)</i>					
1	28160	DECAL,LABEL,LIQUID PROPANE.....	1				
2	28175	DECAL,COMPARTMENT ACCESS.....	1				
3	28373	DECAL,FORK LIFT POCKET.....	2				
4	31060	DECAL,DANGER DO NOT ALTER SWTC.....	1				
5	31788	DECAL,DANGER,BATTERY SAFETY*** .....	1				
6	44255	DECAL,DANGER,CRUSHING HAZARD.....	2				
7	52475	DECAL,LABEL,TRANSPORT TIEDOWN*.....	2				
8	52967	DECAL,COSMETIC,4 X 4.....	1				
9	72086	DECAL,LABEL,LIFTING EYE.....	2				
10	72186	DECAL,WARNING,CRUSHING HAZARD.....	2				
11	82558	DECAL,SKIN INJECTION.....	1				
12	82561	DECAL,DANGER-USE SAFETY ARM.....	1				
13	97602	DECAL,EXPLOSION HAZARD.....	1				
14	114202	DECAL,LABEL,TRANSPORT TIE 68.....	1				
15	114385	DECAL,DANGER,ELEC HAZARD,GS.....	1				
16	131587	DECAL,NOTICE,KUB,D1105,T4.....	1				
17	139249	DECAL,NOTICE,PERKINS 403D SPEC.....	1				
18	229427	DECAL,LABEL,OUTRIGGER LD.....	2				
19	229827	DECAL,WARNING,HOT SURFACE.....	3				
20	229835	DECAL,NOTICE,TIRE SPECS..... <i>(steer end)</i>	1				

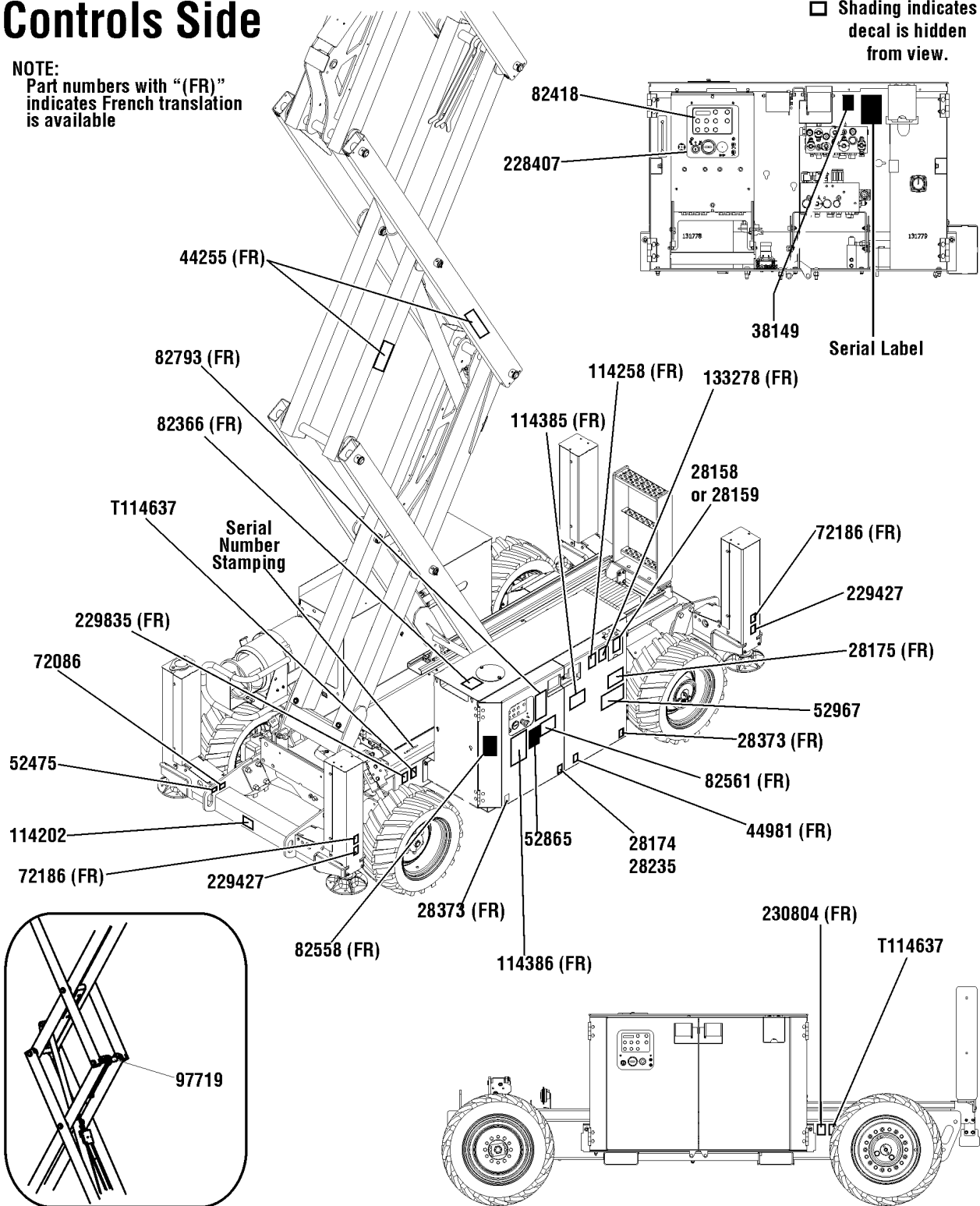


118.1 Decals with Words, GS-4069, Controls Side

# Controls Side

**NOTE:**  
Part numbers with "(FR)" indicates French translation is available

☐ Shading indicates decal is hidden from view.



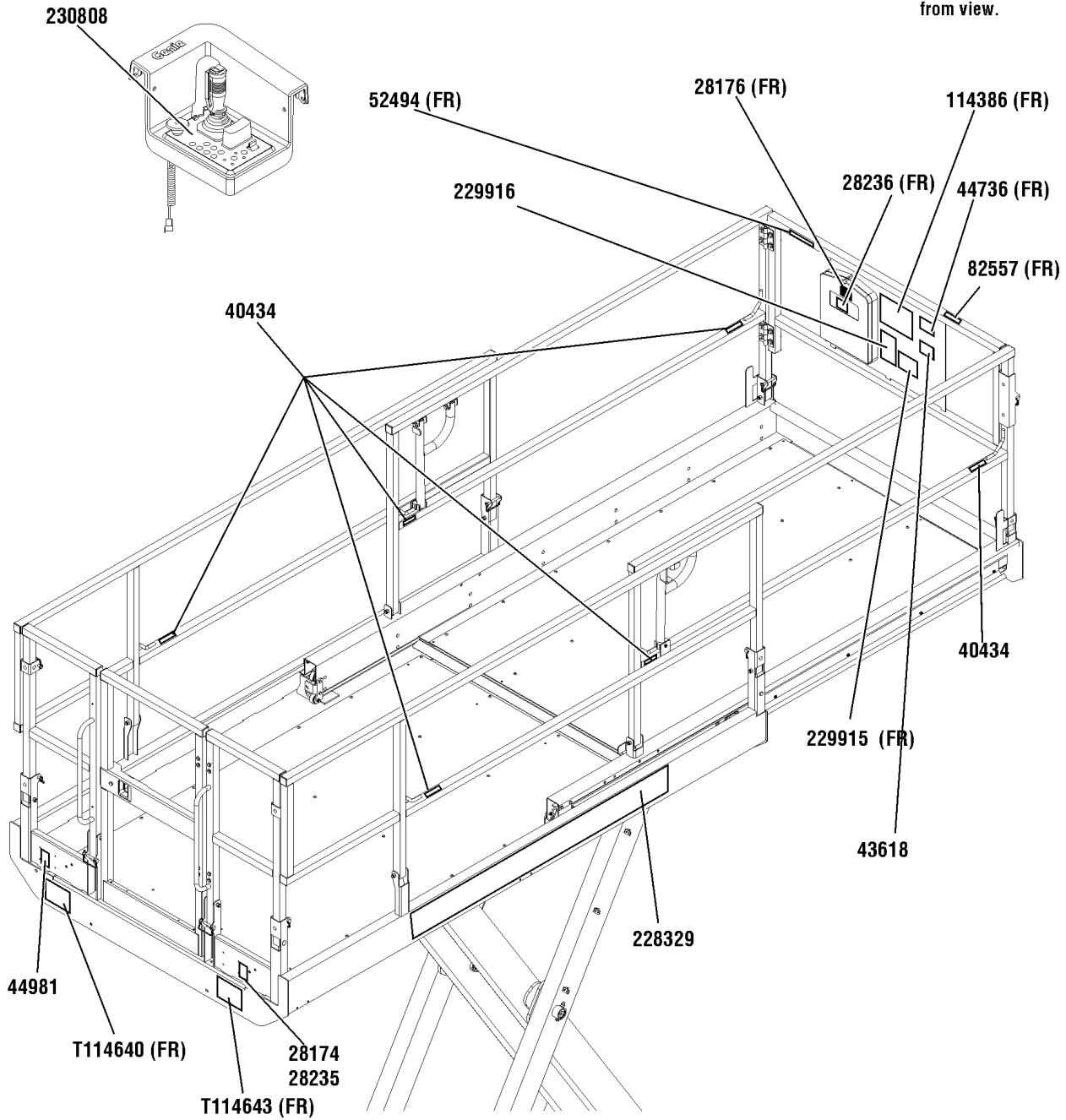
118.1 Decals with Words, GS-4069, Controls Side

Item	Part No.	Description	Qty.	Item	Part No.	Description	Qty.
--		Ref. Word Decal Kits <i>(refer to 117.1)</i>		27	229427	DECAL,LABEL,OUTRIGGER LD.....	2
1	28158	DECAL,LABEL,UNLEADED GAS ONLY.....	1	28	229835	DECAL,NOTICE,TIRE SPECS..... <i>(steer end)</i>	1
2	28159	DECAL,DIESEL.....	1	29	230804	DECAL,NOTICE,TIRE SPECS, REAR..... <i>(non-steer end)</i>	1
3	28174	DECAL,POWER TO PLATFORM 230V.....	1	30	T114637	DECAL,LABEL,WHEEL LD,GS4069RT.....	2
4	28175	DECAL,COMPARTMENT ACCESS.....	1				
5	28235	DECAL,POWER TO PLATFORM 115V.....	1				
6	28373	DECAL,FORK LIFT POCKET.....	2				
7	38149	DECAL,LABEL,PATENTS..... <i>(US models only)</i>	1				
8	44255	DECAL,DANGER,CRUSHING HAZARD.....	2				
9	44981	DECAL,LABEL,AIRLINE 110 PSI.....	1				
10	52475	DECAL,LABEL,TRANSPORT TIEDOWN*.....	2				
11	52865	DECAL,ANNUAL INSP***.....	1				
12	52967	DECAL,COSMETIC,4 X 4.....	1				
13	72086	DECAL,LABEL,LIFTING EYE.....	2				
14	72186	DECAL,WARNING,CRUSHING HAZARD.....	2				
15	82366	DECAL,CHEVRON RANDO HD.....	1				
16	82418	DECAL,GROUND CONTROL PANEL.....	1				
17	82558	DECAL,SKIN INJECTION.....	1				
18	82561	DECAL,DANGER-USE SAFETY ARM.....	1				
19	82793	DECAL,NOTICE,OP INST,GROUND.....	1				
20	97719	DECAL, LABEL, SAFETY ARM SYMB.....	1				
21	114202	DECAL,LABEL,TRANSPORT TIE 68.....	1				
22	114258	DECAL,DANGER,NO SMOKING.....	1				
23	114385	DECAL,DANGER,ELEC HAZARD,GS.....	1				
24	114386	DECAL,DANGER-GEN SAFETY.....	1				
25	133278	DECAL,LOW/ULTRA LOW SULFR FUEL..... <i>(diesel models only)</i>	1				
26	228407	DECAL,GROUND CONTROL PANEL.....	1				



# Platform, ANSI/CSA models

☐ Shading indicates decal is hidden from view.



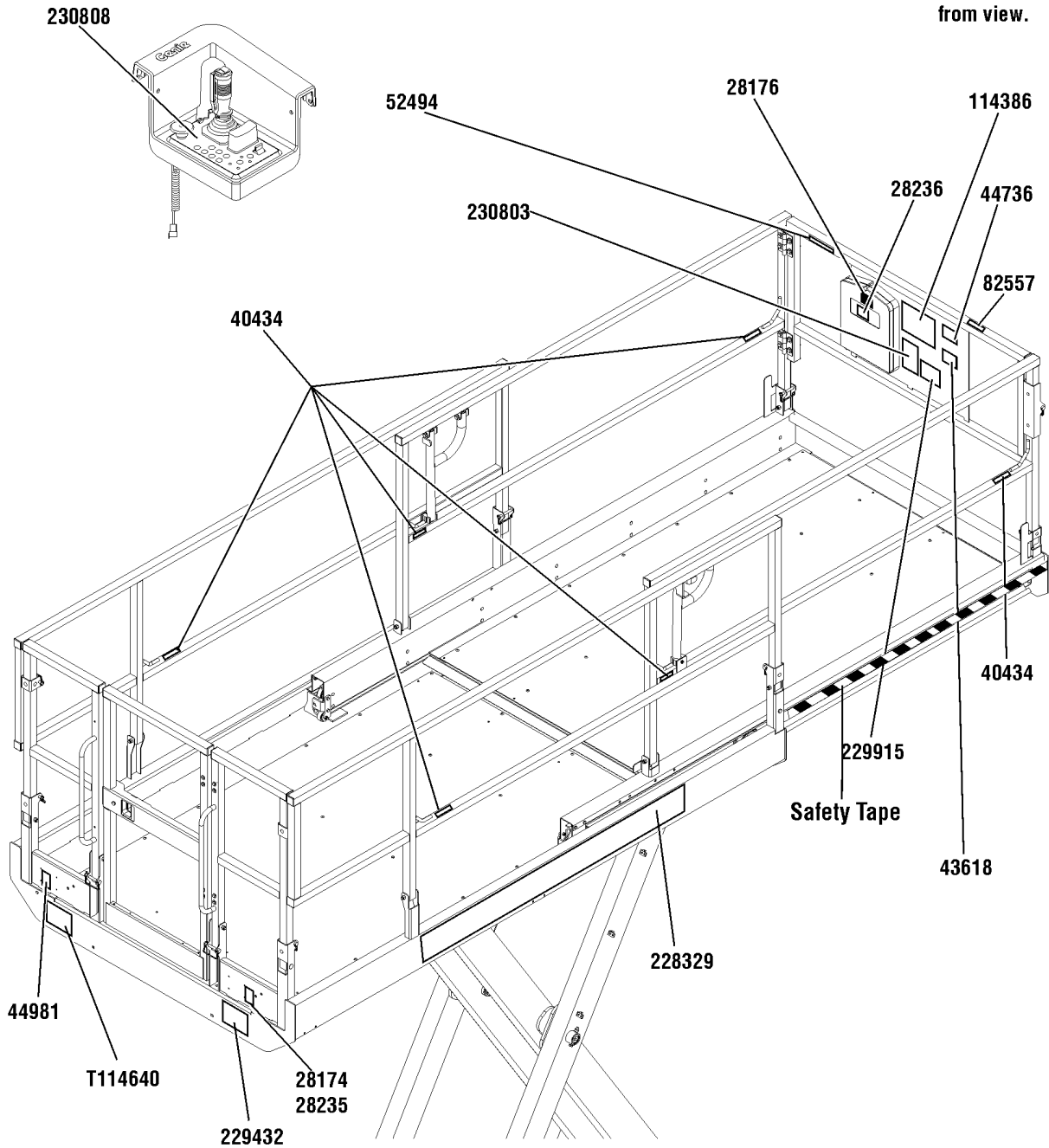
**NOTE:**  
Part numbers with "(FR)" indicates French translation is available

119.1 Decals with Words, GS-4069 Platform, ANSI & CSA

Item	Part No.	Description	Qty.
--		Ref. Word Decal Kits <i>(refer to 117.1)</i>	
1	28174	DECAL,POWER TO PLATFORM 230V.....	1
2	28176	DECAL,LABEL,MANUAL NOT HERE.....	1
3	28235	DECAL,POWER TO PLATFORM 115V.....	1
4	28236	DECAL,WARN,IMPROPER OPERATION.....	1
5	40434	DECAL,LANYARD ANCHORAGE POINT.....	6
6	43618	DECAL,LABEL-DIRECTION ARROWS.....	1
7	44736	DECAL,DANGER,TIP-OVER,TILT....	1
8	44981	DECAL,LABEL,AIRLINE 110 PSI....	1
9	52494	DECAL,CAUTION,CRUSH HAZ, RAILS.....	1
10	82557	DECAL,LABEL,PLAT CONT LOCATION.....	1
11	114386	DECAL,DANGER-GEN SAFETY....	1
12	228329	DECAL,COSMETIC,GENIE GS4069RT.....	2
13	229915	DECAL,DANGER,OUTRIGGER SAFETY.....	1
14	229916	DECAL,NOTICE,INST,PLAT-GS69RT.	1
15	230808	DECAL,PLAT CONTROL PANEL GS69.....	1
16	T114640	DECAL,NOTICE,MAX CAP GS4069..... <i>(ANSI &amp; CSA models only)</i>	1
17	T114643	DECAL,NOTICE,SIDE FRC,4069 ANS..... <i>(ANSI &amp; CSA models only)</i>	1

# Platform, Australia models

☐ Shading indicates decal is hidden from view.



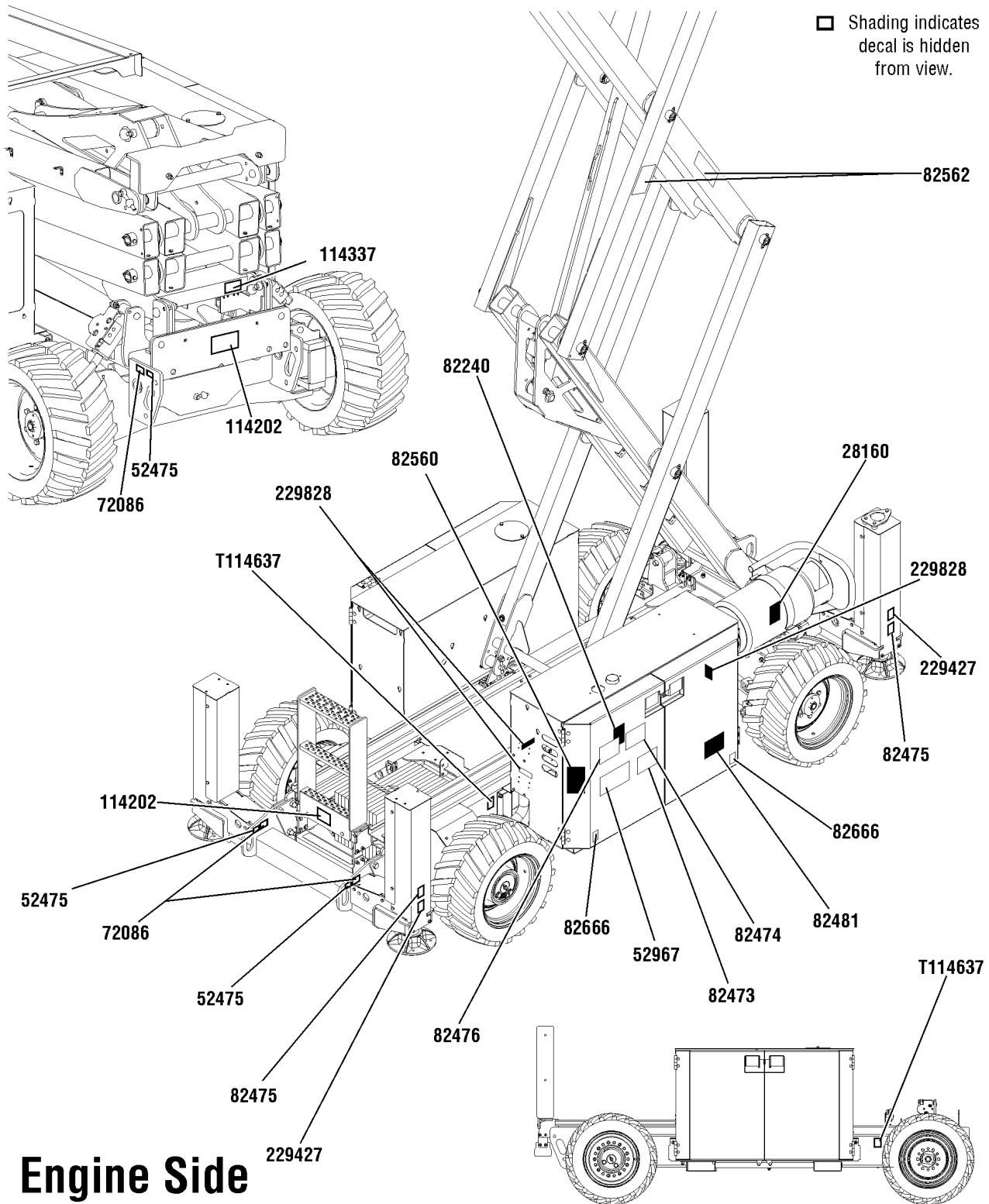


120.1 Decals with Words, GS-4069 Platform, Australia

Item	Part No.	Description	Qty.
--		Ref. Word Decal Kits <i>(refer to 117.1)</i>	
1	28174	DECAL,POWER TO PLATFORM 230V.....	1
2	28176	DECAL,LABEL,MANUAL NOT HERE.....	1
3	28235	DECAL,POWER TO PLATFORM 115V.....	1
4	28236	DECAL,WARN,IMPROPER OPERATION.....	1
5	40434	DECAL,LANYARD ANCHORAGE POINT.....	6
6	43618	DECAL,LABEL-DIRECTION ARROWS.....	1
7	44736	DECAL,DANGER,TIP-OVER,TILT....	1
8	44981	DECAL,LABEL,AIRLINE 110 PSI....	1
9	52494	DECAL,CAUTION,CRUSH HAZ, RAILS.....	1
10	82557	DECAL,LABEL,PLAT CONT LOCATION.....	1
11	114386	DECAL,DANGER-GEN SAFETY.....	1
12	228329	DECAL,COSMETIC,GENIE GS4069RT.....	2
13	229915	DECAL,DANGER,OUTRIGGER SAFETY.....	1
14	230803	DECAL,NOTICE,INST,PLAT-GS69RT.	1
15	230808	DECAL,PLAT CONTROL PANEL GS69.....	1
16	T114640	DECAL,NOTICE,MAX CAP GS4069..... <i>(Australia models only)</i>	1
17	229432	DECAL,NOTICE,MAN FRC,4069..... <i>(Australia models only)</i>	1

121.1 Decals with Symbols, GS-4069, Engine Side

☐ Shading indicates decal is hidden from view.



**Engine Side**

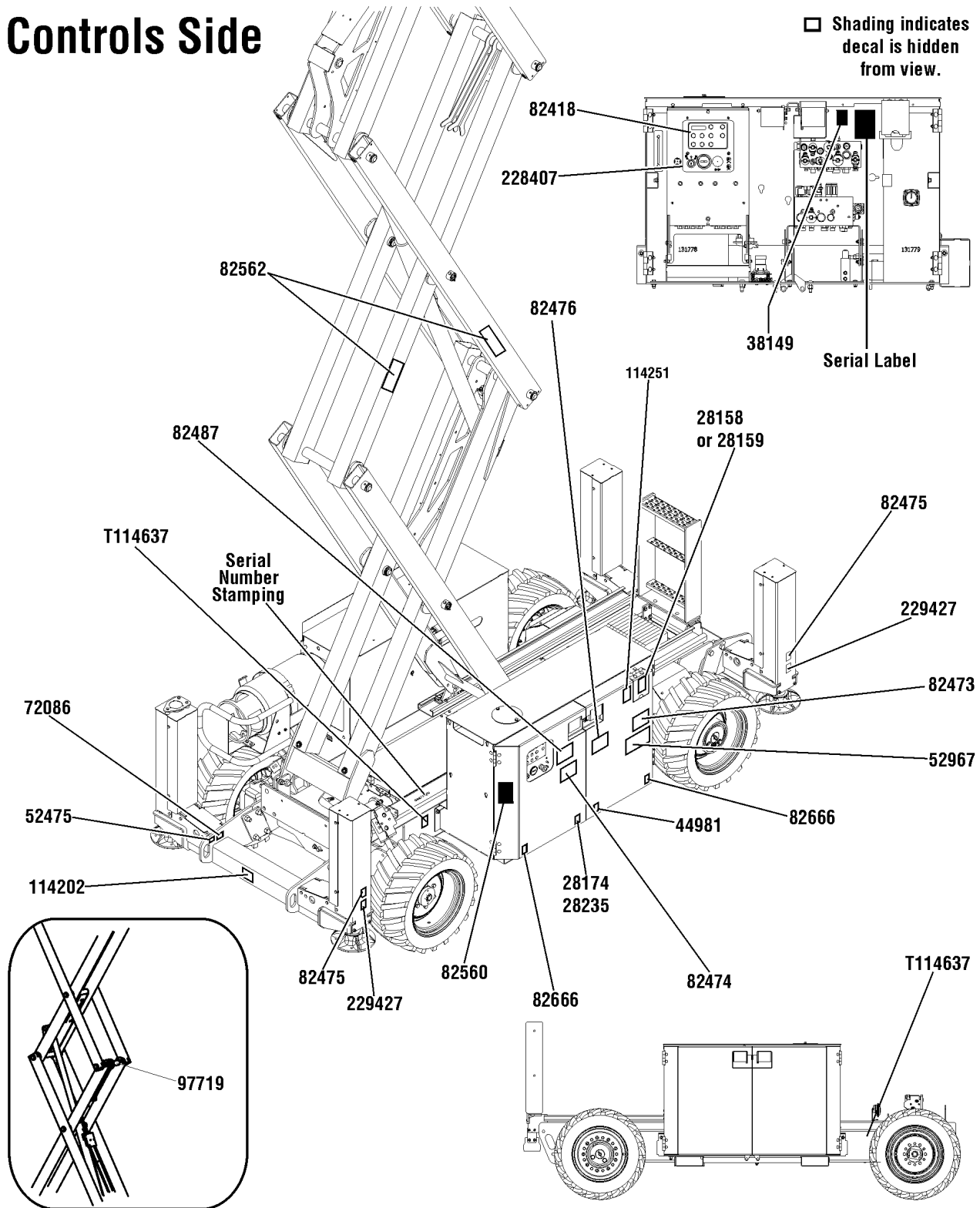
121.1 Decals with Symbols, GS-4069, Engine Side

Item	Part No.	Description	Qty.
--	233955	DECAL KIT,4069 COMP,SYM,ANSI <i>(Decal kit, complete for ANSI models only)</i>	
--	233958	DECAL KIT,4069 COMP,SYM,CE <i>(Decal kit, complete for CE models only)</i>	
--	233961	DECAL KIT,4069 PLAT,SYM,ANSI <i>(Decal kit, platform for Asia &amp; South America models only)</i>	
--	233964	DECAL KIT,4069 PLAT,SYM,CE <i>(Decal kit, platform for CE models only)</i>	
1	28160	DECAL,LABEL,LIQUID PROPANE.....	1
2	52475	DECAL,LABEL,TRANSPORT TIEDOWN*.....	2
3	52967	DECAL,COSMETIC,4 X 4.....	1
4	72086	DECAL,LABEL,LIFTING EYE.....	2
5	82240	DECAL,LABEL,105 DB..... <i>(CE models only)</i>	1
6	82473	DECAL,SYMBOL-COMP ACCESS.....	1
7	82474	DECAL,SYMBOL-USE SAFETY ARM.....	1
8	82475	DECAL,SYMBOL-FOOT CRUSHING.....	2
9	82476	DECAL,SYMBOL-ELEC HAZARD,GS.....	1
10	82481	DECAL,SYMBOL-BATTERY SAFETY.....	1
11	82560	DECAL,SYMBOL-SKIN INJECT HAZRD.....	1
12	82562	DECAL,SYMBOL-CRUSHING HAZARD.....	2
13	82666	DECAL,LABEL,FORKLIFT POCKET.....	2
14	114202	DECAL,LABEL,TRANSPORT TIE 68.....	1
15	114337	DECAL,SYM-TIP-OVR,LIM SWITCH.....	1
16	229427	DECAL,LABEL,OUTRIGGER LD.....	2
17	229828	DECAL,LABEL,HOT,SYMBOL.....	3
18	T114637	DECAL,LABEL,WHEEL LD,GS4069RT.....	2

122.1 Decals with Symbols, GS-4069, Controls Side

# Controls Side

☐ Shading indicates decal is hidden from view.

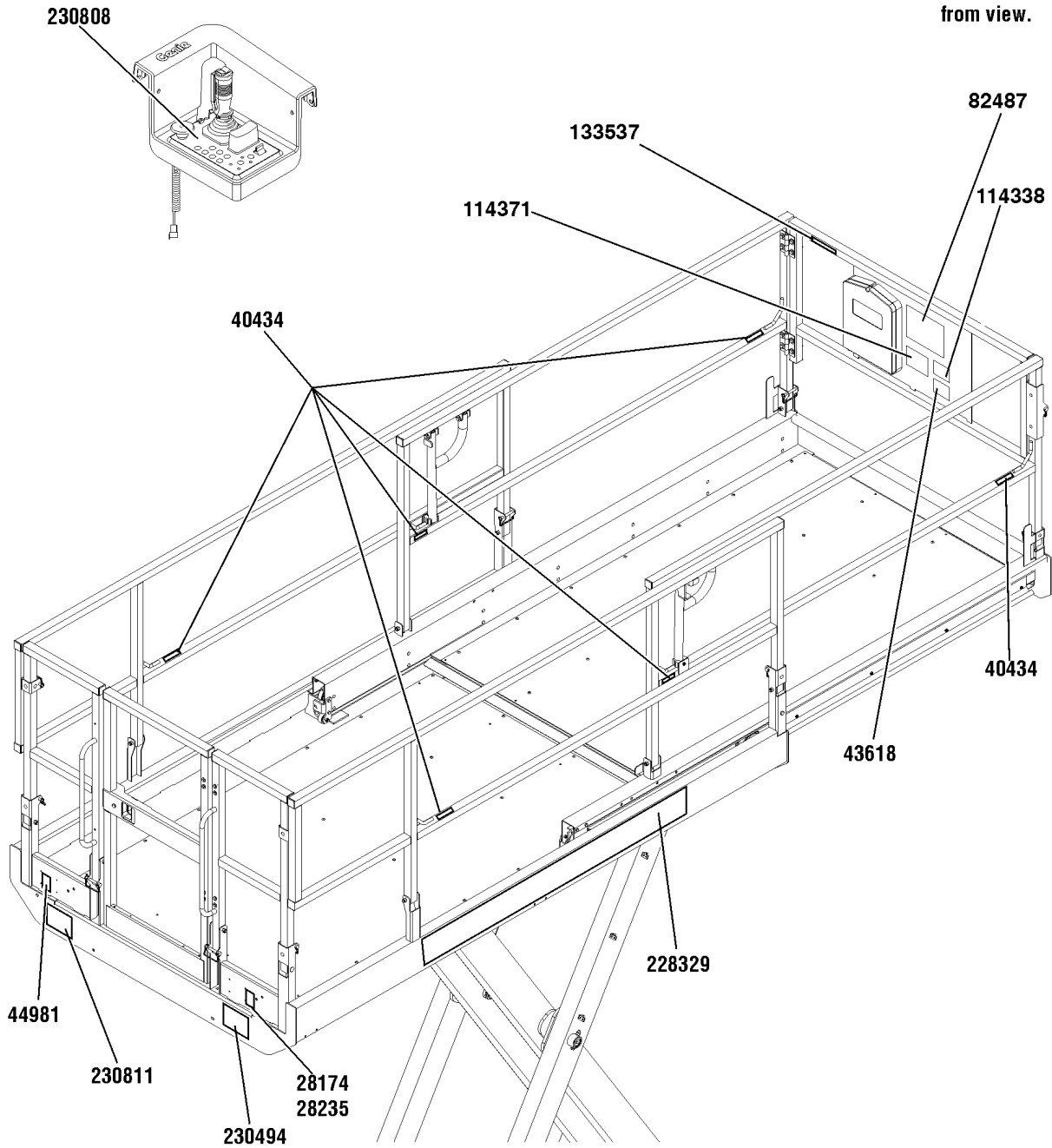


## 122.1 Decals with Symbols, GS-4069, Controls Side

Item	Part No.	Description	Qty.
--		Ref. Symbol Decal Kits (refer to 121.1)	
1	28158	DECAL,LABEL,UNLEADED GAS ONLY.....	1
2	28159	DECAL,DIESEL.....	1
3	28174	DECAL,POWER TO PLATFORM 230V.....	1
4	28235	DECAL,POWER TO PLATFORM 115V.....	1
5	38149	DECAL,LABEL,PATENTS..... (US models only)	1
6	44981	DECAL,LABEL,AIRLINE 110 PSI.....	1
7	52475	DECAL,LABEL,TRANSPORT TIEDOWN*.....	2
8	52967	DECAL,COSMETIC,4 X 4.....	1
9	72086	DECAL,LABEL,LIFTING EYE.....	2
10	82418	DECAL,GROUND CONTROL PANEL.....	1
11	82473	DECAL,SYMBOL-COMP ACCESS.....	1
12	82474	DECAL,SYMBOL-USE SAFETY ARM.....	1
13	82475	DECAL,SYMBOL-FOOT CRUSHING.....	2
14	82476	DECAL,SYMBOL-ELEC HAZARD,GS.....	1
15	82487	DECAL,SYMBOL-READ THE MANUAL.....	1
16	82560	DECAL,SYMBOL-SKIN INJECT HAZRD.....	1
17	82562	DECAL,SYMBOL-CRUSHING HAZARD.....	2
18	82666	DECAL,LABEL,FORKLIFT POCKET.....	2
19	97719	DECAL, LABEL, SAFETY ARM SYMB.....	1
20	114202	DECAL,LABEL,TRANSPORT TIE 68.....	1
21	114251	DECAL,LABEL,NO SMOKING,SYMB.....	1
22	228407	DECAL,GROUND CONTROL PANEL.....	1
23	229427	DECAL,LABEL,OUTRIGGER LD.....	2
24	T114637	DECAL,LABEL,WHEEL LD,GS4069RT.....	2

# Platform, ANSI models

☐ Shading indicates decal is hidden from view.



123.1 Decals with Symbols, GS-4069 Platform, Asia & South America

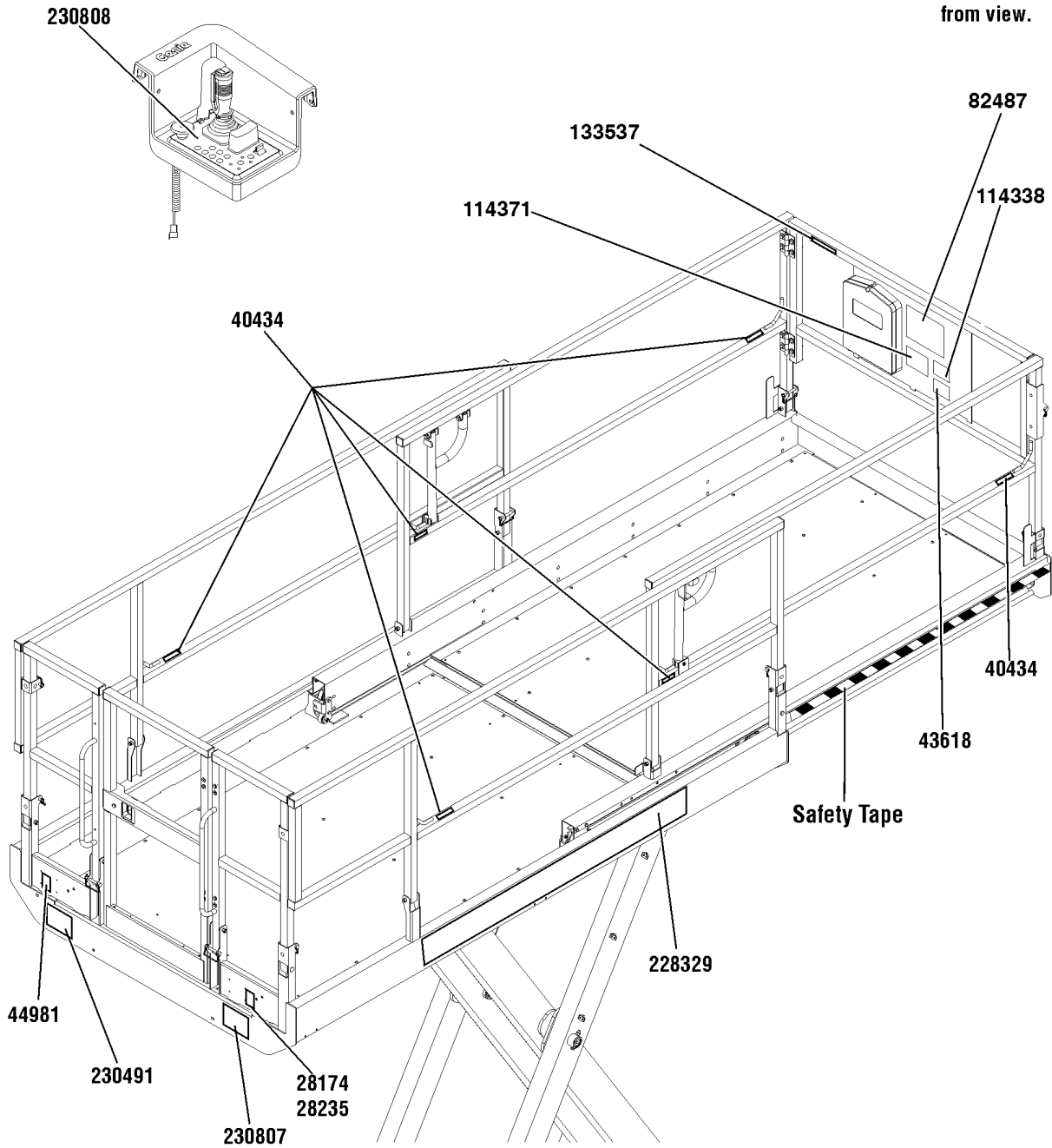
Item	Part No.	Description	Qty.
--		Ref. Symbol Decal Kits <i>(refer to 121.1)</i>	
1	28174	DECAL,POWER TO PLATFORM 230V.....	1
2	28235	DECAL,POWER TO PLATFORM 115V.....	1
3	40434	DECAL,LANYARD ANCHORAGE POINT.....	6
4	43618	DECAL,LABEL-DIRECTION ARROWS.....	1
5	44981	DECAL,LABEL,AIRLINE 110 PSI.....	1
6	82487	DECAL,SYMBOL-READ THE MANUAL.....	1
7	114338	DECAL,SYM-TIP-OVR,TILT ALARM.....	1
8	114371	DECAL,SYM-TIP-OVER,OUTRGR..	1
9	133537	DECAL,CRUSH HAZ RAILS SYMB.....	1
10	228329	DECAL,COSMETIC,GENIE GS4069RT.....	3
11	230494	DECAL,DANGER,SIDE FRC,GS4069..... <i>(Asia &amp; S. America models only)</i>	3
12	230808	DECAL,PLAT CONTROL PANEL GS69.....	1
13	230811	DECAL,NOTICE,MAX CAP GS4069..... <i>(Asia &amp; S. America models only)</i>	1



124.1 Decals with Symbols, GS-4069 Platform, CE

# Platform, CE models

☐ Shading indicates decal is hidden from view.

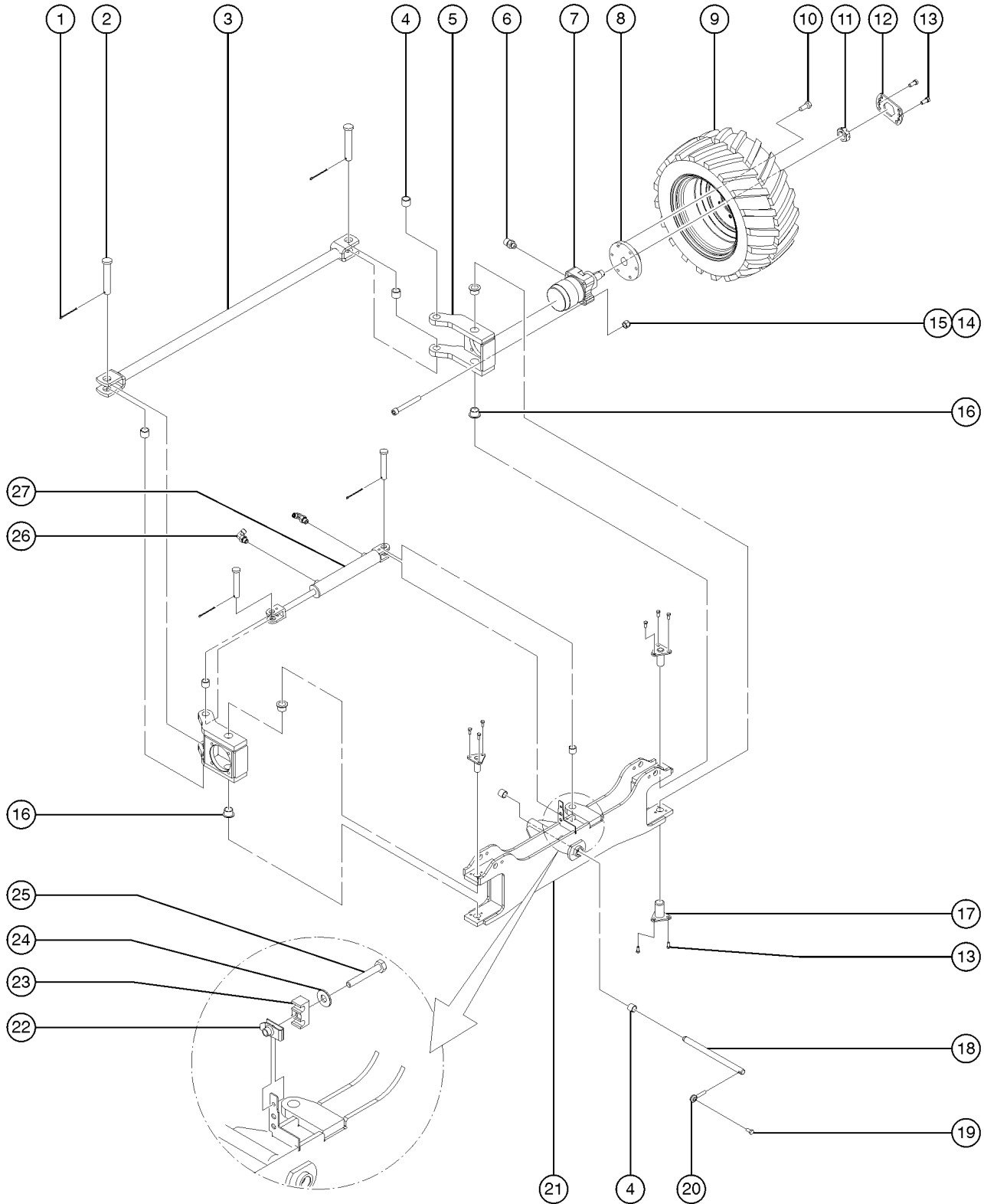




124.1 Decals with Symbols, GS-4069 Platform, CE

Item	Part No.	Description	Qty.
--		Ref. Symbol Decal Kits <i>(refer to 121.1)</i>	
1	28174	DECAL,POWER TO PLATFORM 230V.....	1
2	28235	DECAL,POWER TO PLATFORM 115V.....	1
3	40434	DECAL,LANYARD ANCHORAGE POINT.....	6
4	43618	DECAL,LABEL-DIRECTION ARROWS.....	1
5	44981	DECAL,LABEL,AIRLINE 110 PSI.....	1
6	82487	DECAL,SYMBOL-READ THE MANUAL.....	1
7	114338	DECAL,SYM-TIP-OVR,TILT ALARM.....	1
8	114371	DECAL,SYM-TIP-OVER,OUTRGR..	1
9	133537	DECAL,CRUSH HAZ RAILS SYMB.....	1
10	228329	DECAL,COSMETIC,GENIE GS4069RT.....	2
11	230491	DECAL,NOTICE,MAX CAP GS4069..... <i>(CE models only)</i>	1
12	230808	DECAL,PLAT CONTROL PANEL GS69.....	1
13	230807	DECAL,DANGER,MAN FRC, GS4069..... <i>(CE models only)</i>	1

201.1 Steer Axle Linkage, Wheels and Drive Motors

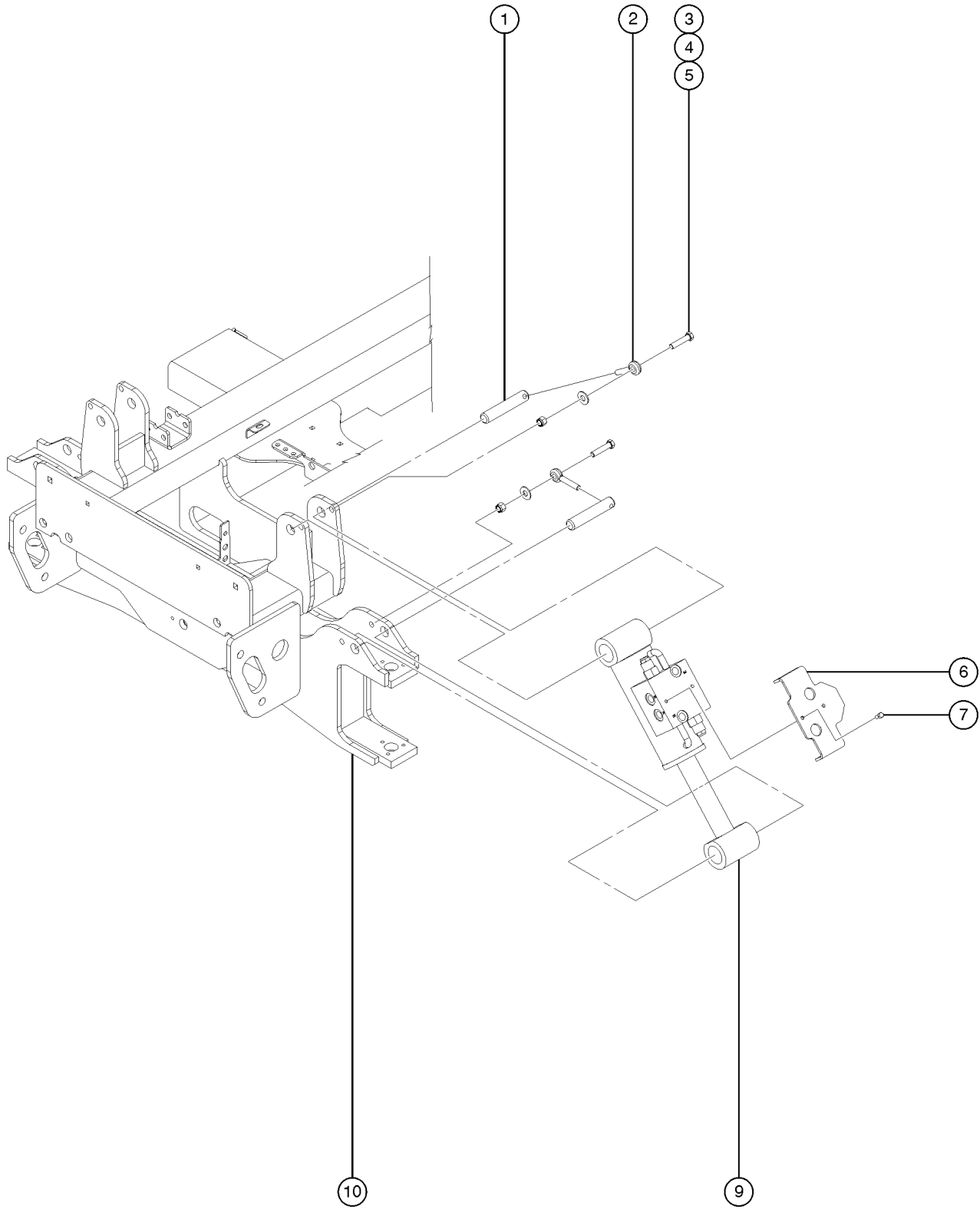


201.1 Steer Axle Linkage, Wheels and Drive Motors

Item	Part No.	Description	Qty.	Item	Part No.	Description	Qty.
1	74389	RUE RING 1.00.....	4	13	49857	SCREW,HHC,3/8-16 X .88,GRD 8.....	16
2	19440	PIN,CLEVIS,1 X 2.5 LG.....	4	14	6198	NUT,NYLOCK,1/2-13.....	8
3	131615	WELDMENT,TIE ROD.....	1	15	42360	SCREW,SHC,1/2-13 X 4 ZINC.....	8
4	25817	BEARING,1.00IDX1.25ODX1.00L....	7	16	148353	BEARING,BRZ,FL,1.25X1.50X1.1...4	
5	131610	STEER YOKE ASSY..... <i>(includes 2 each items 4 and 16)</i>	2	17	131616	WELDMENT,KING PIN.....	4
6	48943	FITTING,CONN,520120-8-6.....	4	18		Ref. PIN,OSC PIVOT..... <i>(for replacement, please call factory)</i>	1
7	T109593	MOTOR,22.8 CI/REV,GEROTOR....	2	19	8255	SCREW,HHC,3/8-16 X .75.....	1
--	44782	SEAL KIT,DR MTR.GS15/19,Z20*** <i>for T109593</i>		20	25284	ROD END,.375 X 2.25***.....	1
8	47312	ADAPTER,WHEEL,GS68/GS69.....	2	21	131602	WELDMENT,OSC.AXLE.....	1
9A	1258626	WHEEL ASSY,FOAM,12X26,BLK,LF..... <i>RT, Foam-filled, controls side (left front) (water-based foam)</i>	1	22	56912	SPRING CLIP,1/4-20,.025-.15X.5....	1
9A	1258627	WHEEL ASSY,FOAM,12X26,BLK,RF..... <i>RT, Foam-filled, engine side (right front) (water-based foam)</i>	1	23	148396	CLAMP,HOSE,2X#4,GS69.....	1
9B	1258751	WHEEL ASSY,FOAM,12X26,BLK,LF <i>RT, Foam-filled, controls side (left front) (petroleum-based foam)</i>		24	6638	WASHER,FLAT,USS,1/4"Y.....	1
9B	1258752	WHEEL ASSY,FOAM,12X26,BLK,RF <i>RT, Foam-filled, engine side (right front) (petroleum-based foam)</i>		25	6637	SCREW,HHC,1/4-20 X 1.75.....	1
9C	1258630	WHEEL ASSY,FOAM,12X26,NM,LF <i>RT, Foam-filled, Non-marking, controls side (left front) (water-based foam)</i>		26	48911	ELBOW,90D,520220-4-6***.....	2
9C	1258631	WHEEL ASSY,FOAM,12X26,NM,RF <i>RT, Foam-filled, Non-marking, engine side (right front) (water-based foam)</i>		27	89065	CYLINDER,STEER***.....	1
9D	1258755	WHEEL ASSY,FOAM,12X26,NM,LF <i>RT, Foam-filled, Non-marking, controls side (left front) (petroleum-based foam)</i>		--	89066	SEAL KIT,STEER CYL (89065)	
9D	1258756	WHEEL ASSY,FOAM,12X26,NM,RF <i>RT, Foam-filled, Non-marking, engine side (right front) (petroleum-based foam)</i>					
9E	T112503	ASSY,HI FLOAT TIRE/WHEEL FRONT..... <i>Hi-Floatation, Foam-filled, Front</i>	2				
10	148426	LUG BOLT,45 DEG,1/2-20 UNF.....	12				
11	44780	NUT,CASTLE,1.125-18 UNEF.....	2				
12	T109085	PLATE, CASTLE NUT LOCK.....	2				



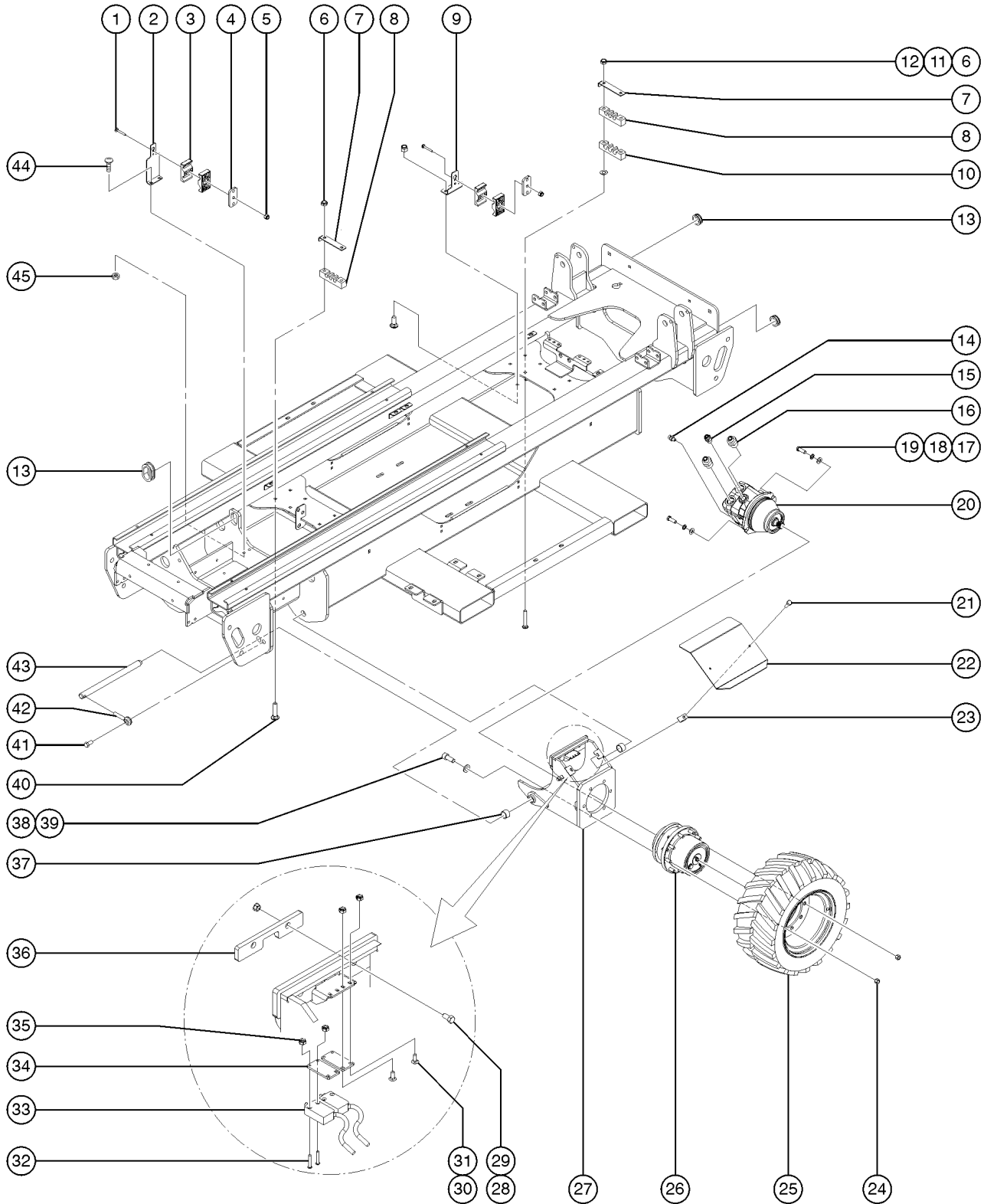
202.1 Steer Axle Linkage, Oscillation



## 202.1 Steer Axle Linkage, Oscillation

Item	Part No.	Description	Qty.
1	67387	PIN,1.00DIAX5.27LG,1HOLE.....	4
2	25284	ROD END,.375 X 2.25***.....	4
3	13918	SCREW,HHC,3/8-16 X 1.75,GRD.8.....	4
4	6097	WASHER,FLAT,USS,3/8",Y.....	4
5	4828	NUT,NYLOCK,3/8-16.....	4
6	148400	FORMING,OSC.COVER,GS69.....	2
7	7339	SCREW,HHC,1/4-20 X .5.....	4
8		Ref. Oscillate Cylinder (refer to 704.1)	
9	131602	WELDMENT,OSC.AXLE.....	1
10		Ref. Axle (refer to 201.1)	

203.1 Non-Steer Axle and Drive Motors



203.1 Non-Steer Axle and Drive Motors

Item	Part No.	Description	Qty.	Item	Part No.	Description	Qty.
1	73464	BOLT,CARRIAGE,1/4-20 X 1.75,G2.....4 GS-2669RT & GS-3369RT	4	25A	1258625	WHEEL ASSY,FOAM,12X26,BLK,RR.....1 RT, Foam-filled, engine side (right rear) (water-based foam)	1
2	T107969	FORMING,REAR DRIVE HOSE CLAMP.....2 GS-2669RT & GS-3369RT	2	25B	1258749	WHEEL ASSY,FOAM,12X26,BLK,LR.....1 RT, Foam-filled, controls side (left rear) (petroleum-based foam)	1
3	78736	CLAMP,2 HOSE,PLASTIC,5/8.....8 GS-2669RT & GS-3369RT	8	25B	1258750	WHEEL ASSY,FOAM,12X26,BLK,RR.....1 RT, Foam-filled, engine side (right rear) (petroleum-based foam)	1
4	58592	PLATE,HOSE ROUTG,BULKHEAD(PTD).....4 GS-2669RT & GS-3369RT	4	25C	1258628	WHEEL ASSY,FOAM,12X26,NM,LR.....1 RT, Foam-filled, Non-marking, controls side (left rear) (water-based foam)	1
5	6091	NUT,NYLOCK,1/4-20.....4 GS-2669RT & GS-3369RT	4	25C	1258629	WHEEL ASSY,FOAM,12X26,NM,RR.....1 RT, Foam-filled, Non-marking, engine side (right rear) (water-based foam)	1
6	7713	NUT,LP NYLOCK,3/8-16.....8	8	25D	1258753	WHEEL ASSY,FOAM,12X26,NM,LR.....1 RT, Foam-filled, Non-marking, controls side (left rear) (petroleum-based foam)	1
7	T107978	FORMING,CLAMP,CHASSIS,FRONT.4	4	25D	1258754	WHEEL ASSY,FOAM,12X26,NM,RR.....1 RT, Foam-filled, Non-marking, engine side (right rear) (petroleum-based foam)	1
8	T109744	CLAMP,HOSE,FRONT,3X#4.....4	4	25E	131695	ASSY, HI FLOAT TIRE/WHEEL REAR.....2 Hi-Floatation, Foam-filled, Rear	2
9	T107936	FORMING,DRIVE HOSE CLAMP MOUNT.....2	2	26	T110637	WHEEL DRIVE W/ BRAKE,48.1.....2	2
10	T109745	CLAMP,HOSE,FRONT,2X#4,#6.....2	2	--	106117	O-RING,2-010,VITON	
11	87684	PUSH RETAINER, 3/8" SCREW....4	4	--	106118	O-RING,2-157,VITON***	
12	112476	BOLT,CARRIAGE,3/8-16X2.75,G5...4	4	--	139968	O-RING,END COVER,OMNI***	
13	T109739	GROMMET,RUBBER,1.75 ID.....12	12	--	233041	SEAL KIT, WHEEL DRIVE	
14	48905	CONN,520120-4*** .....4	4	27	131643	SUBASSY,IC REAR AXLE.....2 (includes item 37)	2
15	48930	FITTING,CONN,520120-6-8*** .....2	2	28	33987	SCREW,HHC,1/2-13 X 1, GR 5.....4	4
16	48948	CONN,520120-8-12.....4	4	29	96320	NUT,LOCKING-LG.FLANGE, «-13.....4	4
17	88296	SCREW,HHC,7/16-14 X 1.25.....4	4	30	71874	BOLT,CARRIAGE,#10-24X.50,G2...8	8
18	20912	WASHER,LOCK, .437,PLTD.....4	4	31	5365	NUT,NYLOCK,10-24.....8	8
19	106134	WASHER,FLAT,HARDENED 7/16....4	4	32	18540	SCREW,RHM,8-32 X 1.....8	8
20	101586	MOTOR,PISTON,LC25,6.5 DEG,13T.....2	2	33	148236	SWITCH,LIMIT,PLUNGER,SMALL..4	4
--	106098	SEAL KIT,MOTOR,LC/KC***		34	131640	PLATE,SENSE AXLE SWITCH.....4	4
--	106117	O-RING,2-010,VITON					
--	106118	O-RING,2-157,VITON***					
21	6090	SCREW,HHC,1/4-20 X .75.....4	4				
22	131755	COVER,REAR AXLE.....2	2				
23	56912	SPRING CLIP,1/4-20,.025-.15X.5....4	4				
24	54627	NUT,LUG,5/8-18 X 90 DEGREE,Z45.....18	18				
25		Ref., TIRE/WHEEL ASSY refer to 201.1					
25A	1258624	WHEEL ASSY,FOAM,12X26,BLK,LR.....1 RT, Foam-filled, controls side (left rear) (water-based foam)	1				



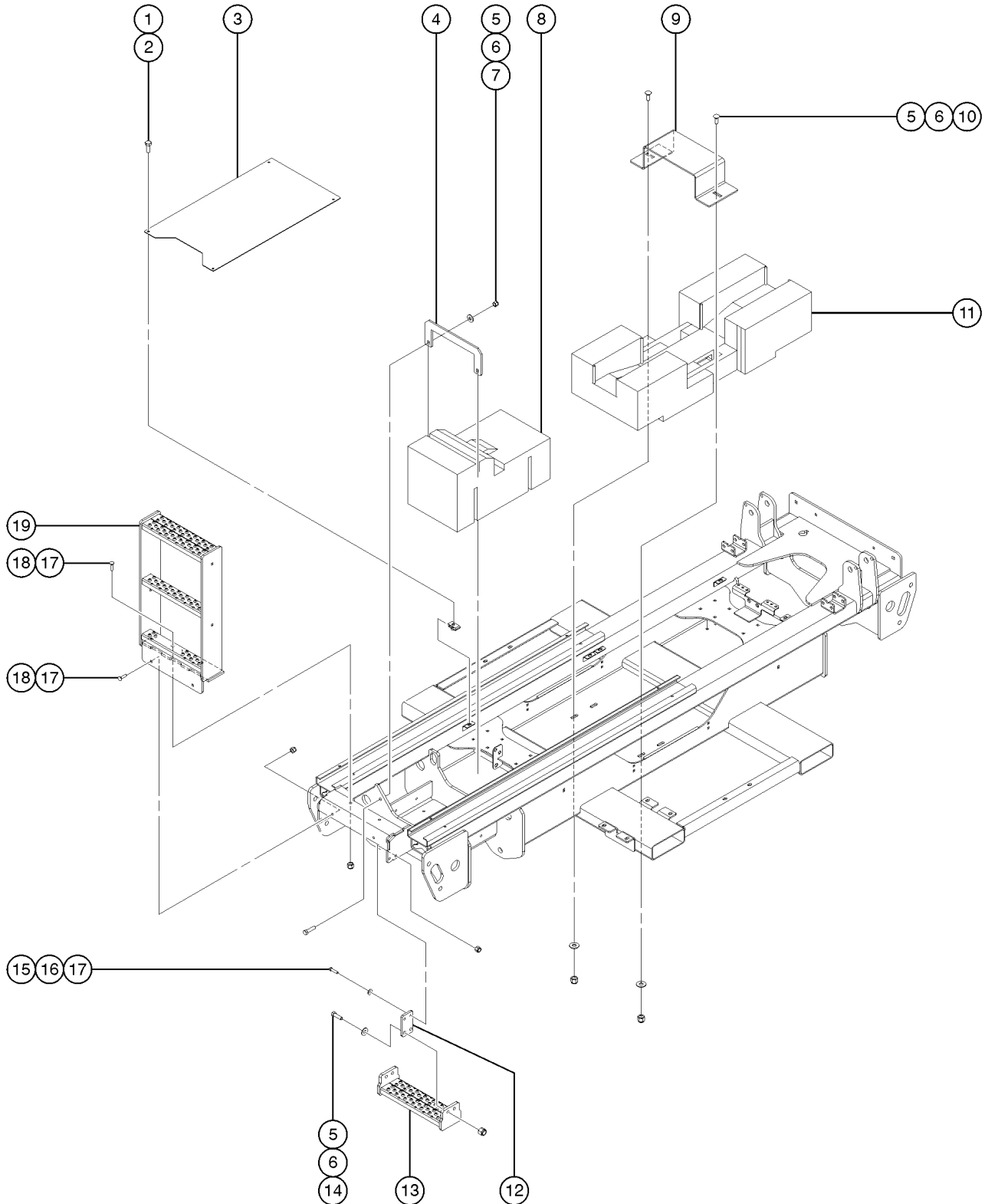
203.1 Non-Steer Axle and Drive Motors  
(continued)

Item	Part No.	Description	Qty.
35	18605	NUT,NYLOCK,8-32.....	4
36	131639	PAD,SENSE AXLE REST.....	2
37	51474	BEARING,1.00IDX1.25ODX0.75L....	4
38	112512	SCREW,SHC,5/8-11 X 1.5 NDPATCH.....	12
39	13064	WASHER,FLAT,.625 HARDENED.....	12
40	112572	BOLT,CARRIAGE,3/8-16X1.75.....	4
41	8255	SCREW,HHC,3/8-16 X .75.....	2
42	25284	ROD END,.375 X 2.25***.....	2
43		Ref. PIN,OSC PIVOT..... <i>(for replacement, please call factory)</i>	2
43	237340	PIN,OSC PIVOT.....	2
44	73466	BOLT,CARRIAGE,3/8-16 X 1.00,G2..... GS-2669RT & GS-3369RT	8
45	4828	NUT,NYLOCK,3/8-16..... GS-2669RT & GS-3369RT	8



*This Page Intentionally Left Blank*

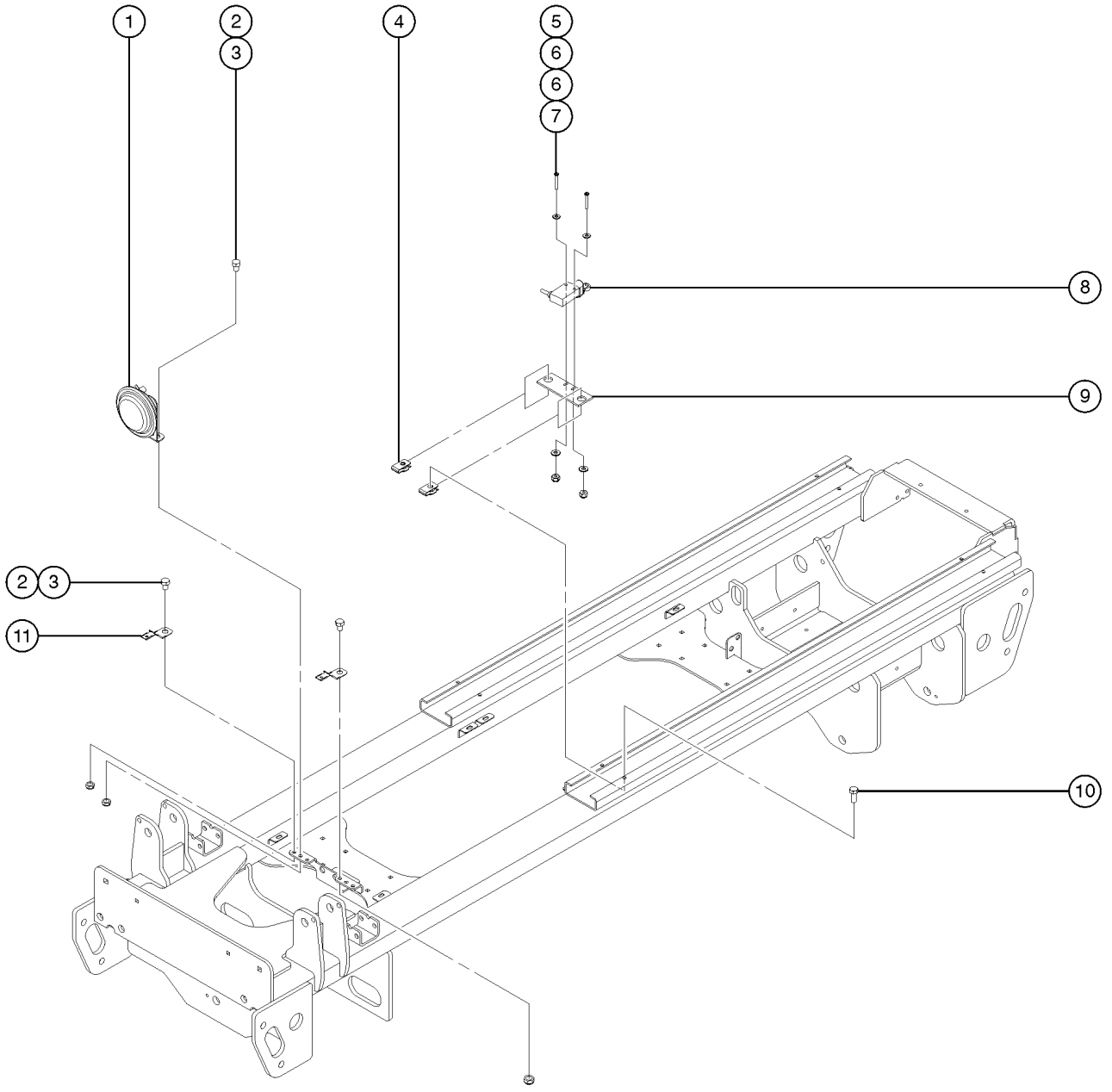
204.1 Ladder and Counterweight



## 204.1 Ladder and Counterweight

Item	Part No.	Description	Qty.
--			
1	6090	SCREW,HHC,1/4-20 X .75.....	8
2	56912	SPRING CLIP,1/4-20,.025-.15X.5.....	8
3	148271	FORMING,CHASSIS COVER.....	2
4	T115515	PLATE,REAR CW BRACKET..... (GS-4069 RT)	1
5	6198	NUT,NYLOCK,1/2-13.....	8
6	6095	WASHER,FLAT,USS,1/2",Y.....	8
7	6096	SCREW,HHC,1/2-13 X 2 GR5.....	2
8	232537	CASTING,CW,REAR,4069..... (GS-4069 RT)	1
9	T114860	FORMING,MID CW BRACKET..... (GS-4069 RT)	1
10	96977	BOLT,CARRIAGE,1/2-13X1.50,GR5.2	
11	232536	CASTING,CW,MID,4069..... (GS-4069 RT)	1
12	148403	STRAP, RUBBER STEP SUPPORT.....	2
13	148292	WELDMENT,LOWER LADDER STEP.....	1
14	22788	SCREW,HHC,1/2-13 X 1.75.....	4
15	8516	SCREW,HHC,3/8-16 X 1.50,GR5.....	4
16	6097	WASHER,FLAT,USS,3/8",Y.....	4
17	4828	NUT,NYLOCK,3/8-16.....	8
18	60790	BOLT,CARRIAGE,3/8-16 X1.50,G5.....	4
19A	235095	LADDER ASSY,2669&3369..... (GS-2669 RT and GS-3369 RT)	1
--	148277	WELDMENT,26/32 LADDER..... (GS-2669 RT and GS-3369 RT) (decals not included, refer to 100)	1
19B	235096	LADDER ASSY,GS4069..... (GS-4069 RT)	1
--	148307	WELDMENT, GS4068 LADDER..... (GS-4069 RT) (decals not included, refer to 100)	1

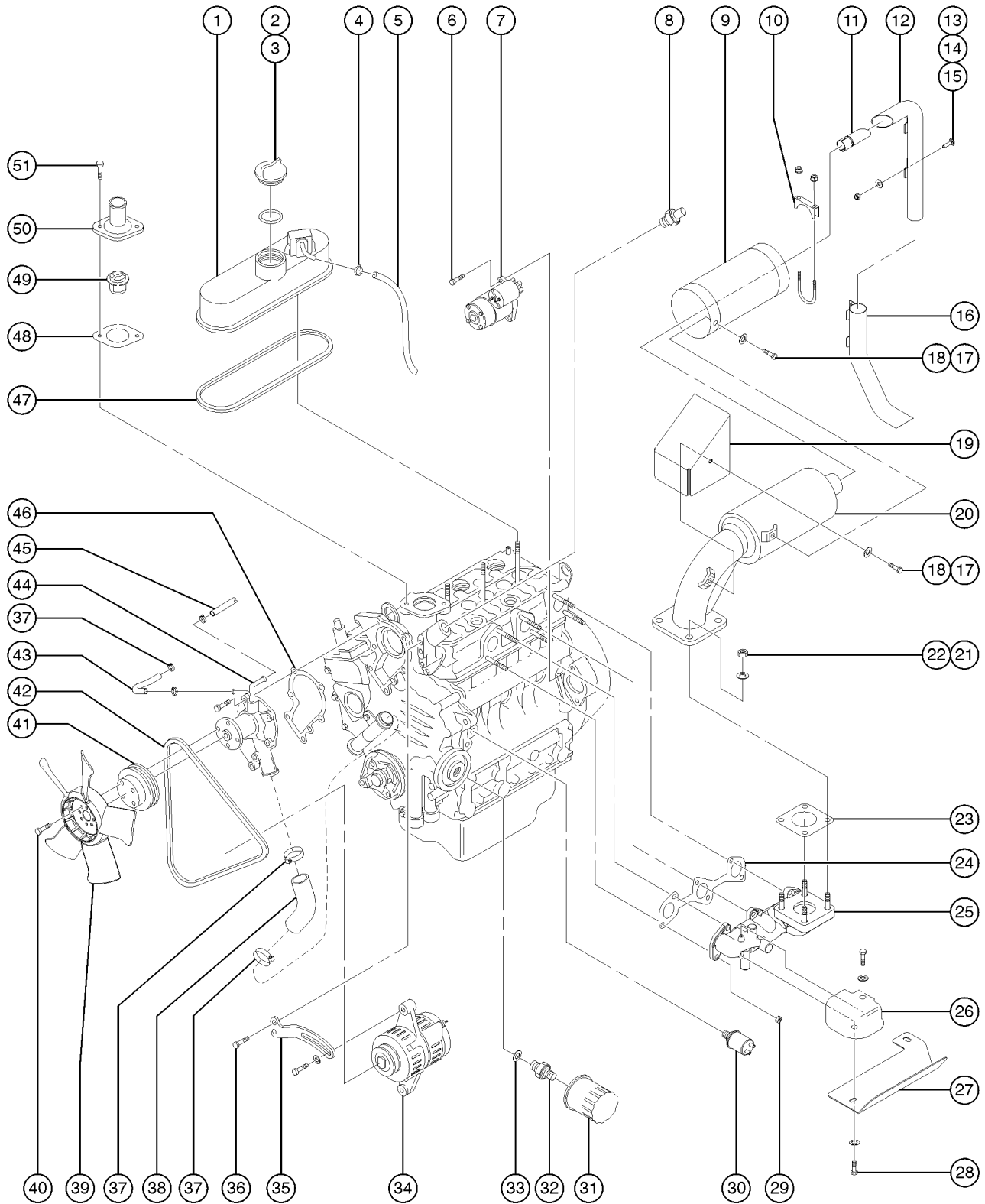
205.1 Drive Chassis, Safety Components



## 205.1 Drive Chassis, Safety Components

Item	Part No.	Description	Qty.
1	81579	HORN,24VDC,SPADE TERMINALS***.....	1
2	71508	SCREW,HHC,3/8-16 X .50 GR.5.....	2
3	7713	NUT,LP NYLOCK,3/8-16.....	2
4A	29868	SPRING CLIP,3/8-16,.05-.20X.73 to SN 1755	
4B	4828	NUT,NYLOCK,3/8-16..... from SN 1756	2
5	49821	SCREW,PHILLIPS,PHM,8-32 X 1.25.....	2
6	35461	WASHER,FLAT,MS,#8,Y.....	4
7	18605	NUT,NYLOCK,8-32.....	2
8A	105692	SWITCH,LIMIT,W/ROLLER ARM to SN 1755	
8B	220237	SWITCH,LIMIT,ZCY15 ARM..... from SN 1756	1
9A	148413	PLATE,UP L.S. MOUNT to SN 1755	
9B	220153	PLATE,LIMIT SWITCH,LS..... from SN 1756	1
10A	49857	SCREW,HHC,3/8-16 X .88,GRD 8 to SN 1755	
10B	64154	BOLT,CARRIAGE,3/8-16 X1.00,G5..... from SN 1756	2
11	99346	CLIP, METAL MOUNTING.....	3

301.1 Kubota WG-972 Engine, View 1

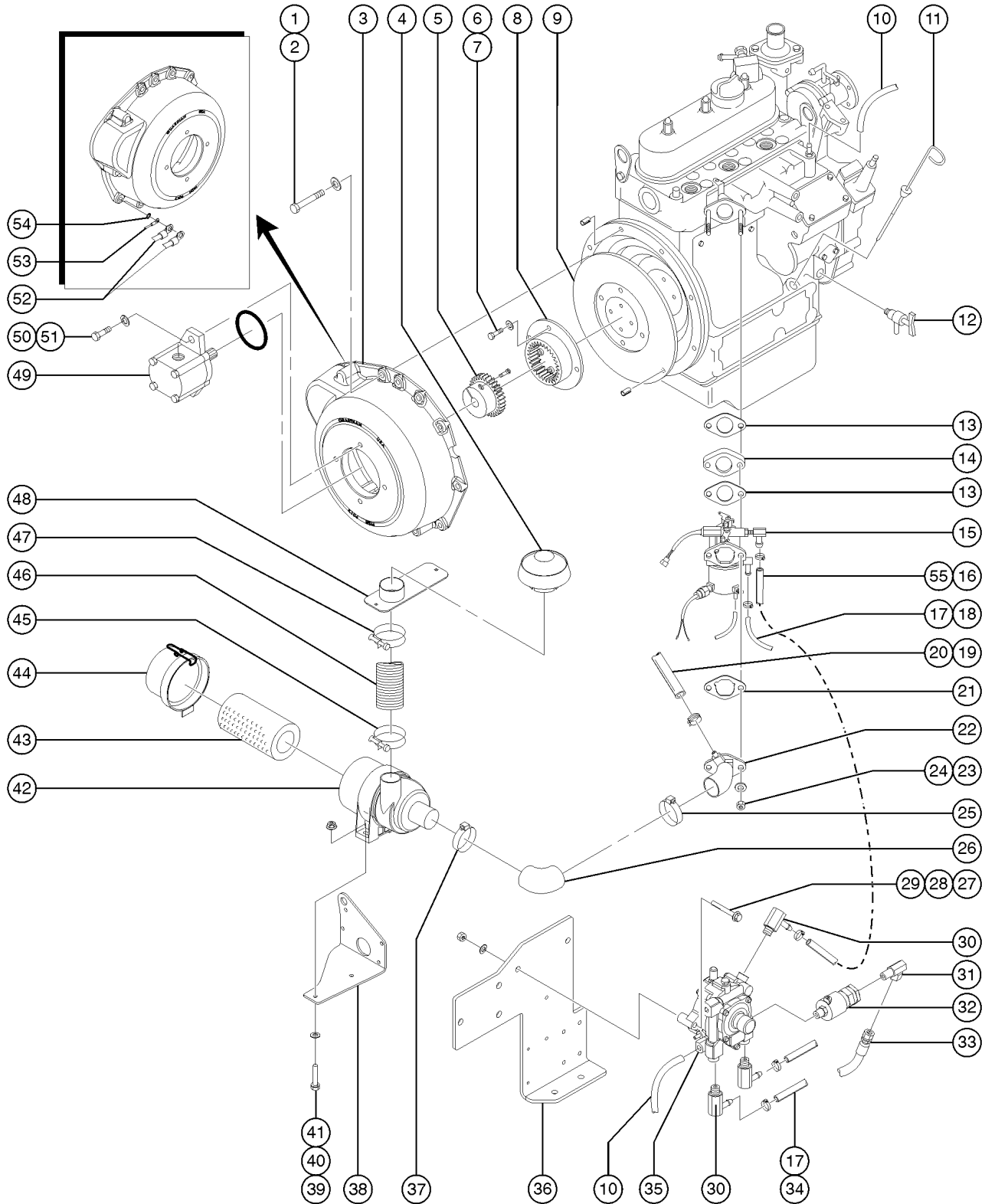


301.1 Kubota WG-972 Engine, View 1

Item	Part No.	Description	Qty.	Item	Part No.	Description	Qty.
--	139192	SOLENOID, KUBOTA,DF972		31	22106	FILTER,OIL,KUBOTA.....	1
--		<i>for internal engine components, contact engine dealer</i>		32	84039	JOINT-PIPE.....	1
1	235499	VALVE COVER,EG972.....	1	33	84040	WASHER-PLAIN.....	1
2	235500	O-RING,OIL FILLER PLUG,WG972.....	1	34	T114682	ALTERNATOR,40-AMP,DF-972.....	1
3	52808	PLUG,OIL FILLER Z482,Z34/22BE*.....	1	--	227579	ALTERNATOR GUARD,DF-972	
4	32069	CLAMP,HOSE,KUBOTA WG750.....	4	35	44184	ALTERNATOR STAY,WG750***.....	1
5	235501	PIPE,BREATHER JOINT,WG972.....	1	36	233507	BOLT, ALT. STAY, WG972	
6	235502	BOLT, M8X30MM, KUBOTA		37	32092	CLAMP,HOSE,KUBOTA WG750.....	2
7	139191	STARTER MOTOR, KUBOTA, DF972.....	1	38	233508	HOSE, LWR, WATER PUMP, WG972.....	1
8	54332	SWITCH,WATER TEMP.....	1	39	227594	RAD. FAN,5-BLADE,DF-972.....	1
9	227592	COVER,MUFFLER,DF-972.....	1	40	235509	BOLT, FAN, WG972	
10	62160	CLAMP,TAILPIPE, 1 1/2***.....	1	41	23469	PULLEY,FAN,WG750B***.....	1
		<i>including mounting fasteners</i>		42	52816	BELT,FAN,KUBOTA DF972/Z482-E.....	1
11	T108133	TAILPIPE,DF-972,GS69.....	1	43	235510	HOSE, UP, WATER PUMP, WG972.....	1
12	148416	TAILPIPE,EXTENSION,UNIV.....	1	44	139196	WATER PUMP, DF972.....	1
13	79456	BOLT,CARRIAGE,1/4-20 X 1.00,G2.....	4	45	235511	JOINT PIPE, WG972.....	1
14	6638	WASHER,FLAT,USS,1/4"Y.....	4	46	23472	GASKET,WATER PUMPWG750B/Z482-E.....	1
15	6091	NUT,NYLOCK,1/4-20.....	4	47	235512	GASKET, VALVE COVER, WG972.....	1
16	228974	TAILPIPE,END,UNIV.....	1	48	28092	GASKET,THERMOSTAT-28091.....	1
17	235503	BOLT, MUFFLER COVER, WG972		49	139278	THERMOSTAT.....	1
18	235504	WASHER, MUFFLER COVER, WG972		50	139200	THERMOSTAT HOUSING, DF972.....	1
19	227593	COVER,MUFFLER,FLANGE,DF-972.	1	51	235513	BOLT, THERMOSTAT COVER, WG972	
20	T114655	CATALYTIC MUFFLER,DF-972.....	1				
21	52850	NUT-SELF LOCKING, M8X1.25MM.....	4				
22	52535	WASHER,LOCK,GOV.LEVER,DF750***.	4				
23	27363	GASKET,MUFFLER,KUBOTA GAS***.....	1				
24	235552	GASKET, EXH. MANIFOLD, WG972.....	1				
25	139202	EXHAUST MANIFOLD, DF972.....	1				
26	227582	HEAT SHIELD,EXH MAN,DF-972....	1				
27	T113979	HEAT SHIELD,DF972 EXHAUST MAN.....	1				
28	235505	BOLT, HEAT SHIELD, WG972					
29	235506	NUT, EXH. MAN., WG972					
30	22934	SWITCH,OIL,PRESSURE,KUBOTA.1					



302.1 Kubota WG-972 Engine, View 2





302.1 Kubota WG-972 Engine, View 2

Item	Part No.	Description	Qty.	Item	Part No.	Description	Qty.
--		<i>for internal engine components, contact engine dealer</i>		18	233947	HOSE, FUEL LO-PERM 5/16", 88" LG.....	1
1A	235516	BOLT, BELLHOUSING MNT, WG972 <i>(for SN 101 to 2311)</i>				<i>fuel pump to carburetor</i>	
1B	162458	HRDWKIT, BELLHSING, WG972, GRDN <i>(from SN 2312)</i>		18A	1261278	VALVE, 2WAY, 1PSI.....	1
2A	235517	WASHER, BELLHOUSING MNT, WG972 <i>(for SN 101 to 2311)</i>				<i>from SN 6028</i>	
3A	148040	BELLHOUSING, DF-972, GS69.....	1	18A	226960	VALVE, 2 WAY, 2.5PSI <i>check valve (evaporative); from SN 101 to 6027</i>	
3B	162457	BELLHOUSING, DF-972, GRDN, GS69 <i>(from SN 2312)</i>		18A	233943	HOSE, FUEL 3/16", 100" LG <i>check valve to carburetor (evaporative)</i>	
4	52420	CAP, RAIN, AIR CLEANER, GS68RT** .....	1	18A	233944	HOSE, FUEL 3/16", 5" LG <i>tank to check valve (evaporative)</i>	
5	104366	COUPLER, SPLINED, 9TOOTH, GS68.....	1	19	235522	PIPE, BREATHER JOINT, WG972	
6	235518	BOLT, FLANGE ADAPTER, WG972		20	32069	CLAMP, HOSE, KUBOTA WG750	
7	235519	WASHER, FLANGE ADAPTER, WG972		21	52427	GASKET, AIR CLEANER, DF-750	
8	104370	ADAPTER, PUMP COUPLER.....	1	22	T114659	AIR CLEANER FLANGE, DF-972.....	1
9	235520	FLYWHEEL, WG972.....	2	23	52850	NUT-SELF LOCKING, M8X1.25MM	
10	51495	HOSE, 1/8" VACUUM.....	27-inches <i>intake manifold to LPG regulator</i>	24	52535	WASHER, LOCK, GOV. LEVER, DF750***	
11	139193	DIP STICK, DF972.....	1	25	35434	CLAMP, HOSE, 2.00*** .....	1
12	235521	PETCOCK, DRAIN, WG972.....	1	26	139483	HOSE, INLET, DF972.....	1
13	52425	GASKET, CARBURETOR, KUBOTA DF750.....	2	27	121067	SCREW, HHC, FLG, 1/4-20 X 2.00	
14	T114658	CARBURATOR FLANGE, DF-972.....	1	28	6638	WASHER, FLAT, USS, 1/4" Y	
15	T114657	CARBURATOR ASSY, DF-972.....	1 <i>for correct jetting, refer to 161209 and 218604</i>	29	6091	NUT, NYLOCK, 1/4-20	
15A	161209	JET KIT, KUB, WG972, CARB, 1000M <i>for T114657; for use between 4300 and 8900 feet altitude</i>		30	84408	FITTING, 90DEG ELBOW.....	3
15A	218604	JET KIT, KUB, WG972, CARB, 2000M <i>for T114657; for use between 1000 and 5600 feet altitude</i>		31	19859	ELBOW, 010202-6-4.....	1
16	74514	HOSE LPG 1/2" 11" PRECUT.....	1 <i>LPG regulator to carburetor</i>	32	81633	VALVE, LP LOCKOUT W/O CONNECTOR.....	1
17	21465	CLAMP, HOSE, SIZE .25 TO .63.....	12	33	104086	HOSE ASSEMBLY, LP GAS-86" LONG <i>LPG tank to regulator</i>	
18	233945	HOSE, FUEL LO-PERM 5/16", 4" LG.....	1 <i>fuel filter to fuel pump</i>	34A	161234	HOSE, COOLANT, 3/75" ID X 32", GS69 DF. 32-inches <i>LPG regulator to intake manifold</i>	
18	233946	HOSE, FUEL LO-PERM 5/16", 7" LG.....	1 <i>fuel tank to fuel filter</i>	34B	161233	HOSE, COOLANT, 3/75" X 28", GS69 DF. 28-inches <i>LPG regulator to water pump</i>	
				35	97482	REGULATOR, LPG, KUBOTA, DF-752***	
				36	148023	FORMING, AIR CLEANER MT, DF-972.....	1
				37	32084	CLAMP, AIR CLEANER HOSE, WG750** .....	1
				38	128332	BRACKET, AIR CLEANER.....	1
				39	13000	SCREW, HHC, 5/16-18 X 1.25	
				40	5397	WASHER, FLAT, USS, 5/16", Y	
				41	18503	NUT, LOCKING-LG. FLANGE, 5/16-18	

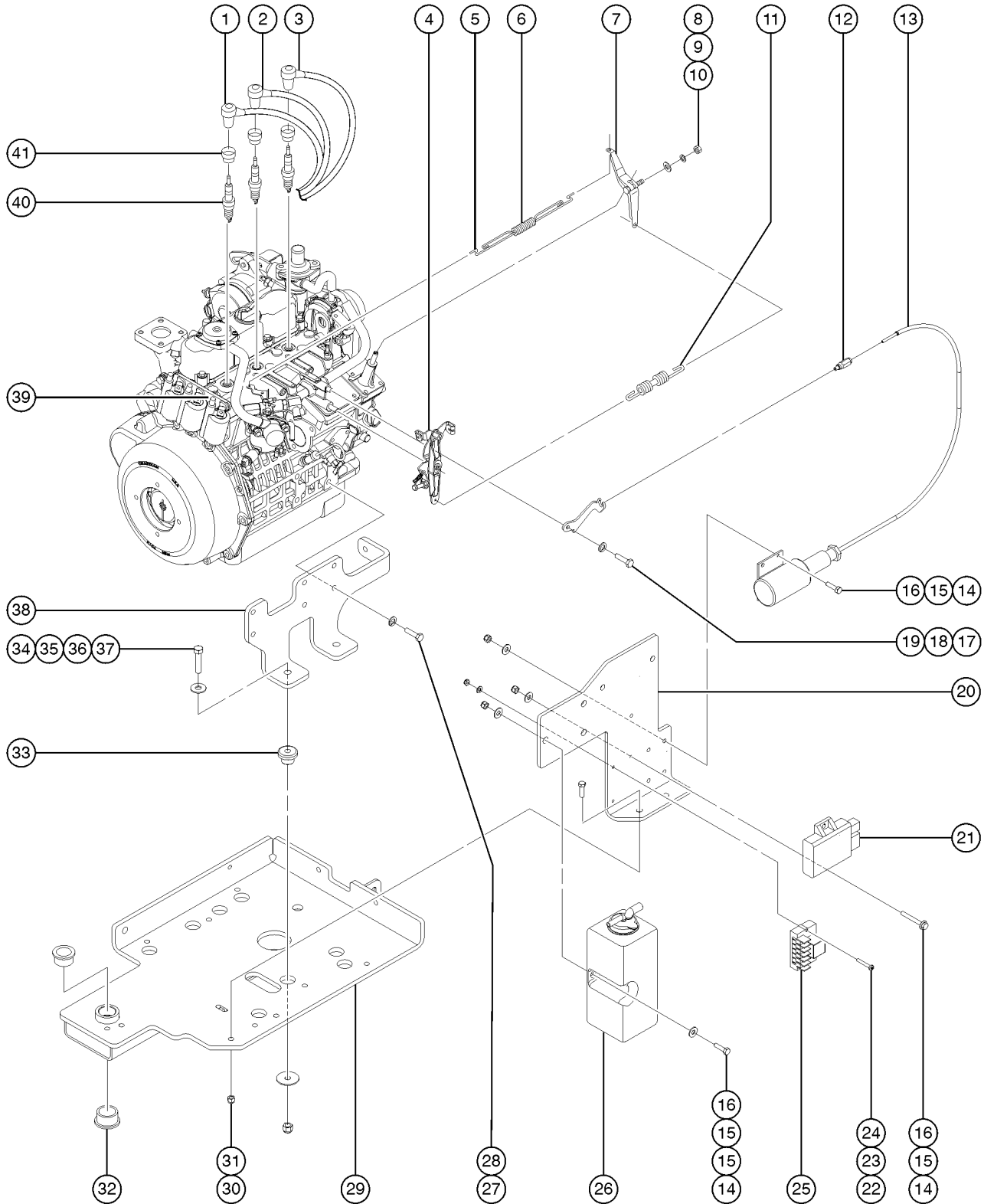


302.1 Kubota WG-972 Engine, View 2  
(continued)

Item	Part No.	Description	Qty.
42	84808	AIR CLEANER ASSEMBLY, DF-752.....1 <i>includes item 40-41</i>	1
43	104710	AIR CLEANER ELEMENT,KUBOTA.....1	1
44	84810	AIR CLEANER COVER, DF-752.....1	1
45	45435	CLAMP,HOSE,2.50"*** .....1	1
46	131372	HOSE,1.75ID,2.50IDX12.0".....1	1
47	45435	CLAMP,HOSE,2.50"*** .....1	1
48	99097	WELDMENT,RAIN CAP MNT, KUBOTA.....1	1
49	87918	PUMP,GEAR,16CC*** .....1	1
--	85197	SEAL KIT,BOSCH PUMP***	
50	6019	SCREW,HHC,3/8-16 X 1.25 GRD 5	
51	6021	WASHER,LOCK,.375	
52		Ref., HARNESS,BATTERY <i>refer to 408.1</i>	
53		Ref., HARNESS,ENGINE <i>refer to 408.1</i>	
54	6700	WASHER,STAR,EXTERNAL,.375 <i>from SN 2312</i>	
55	46131	CLAMP,HOSE,.63.....2	2

*This Page Intentionally Left Blank*

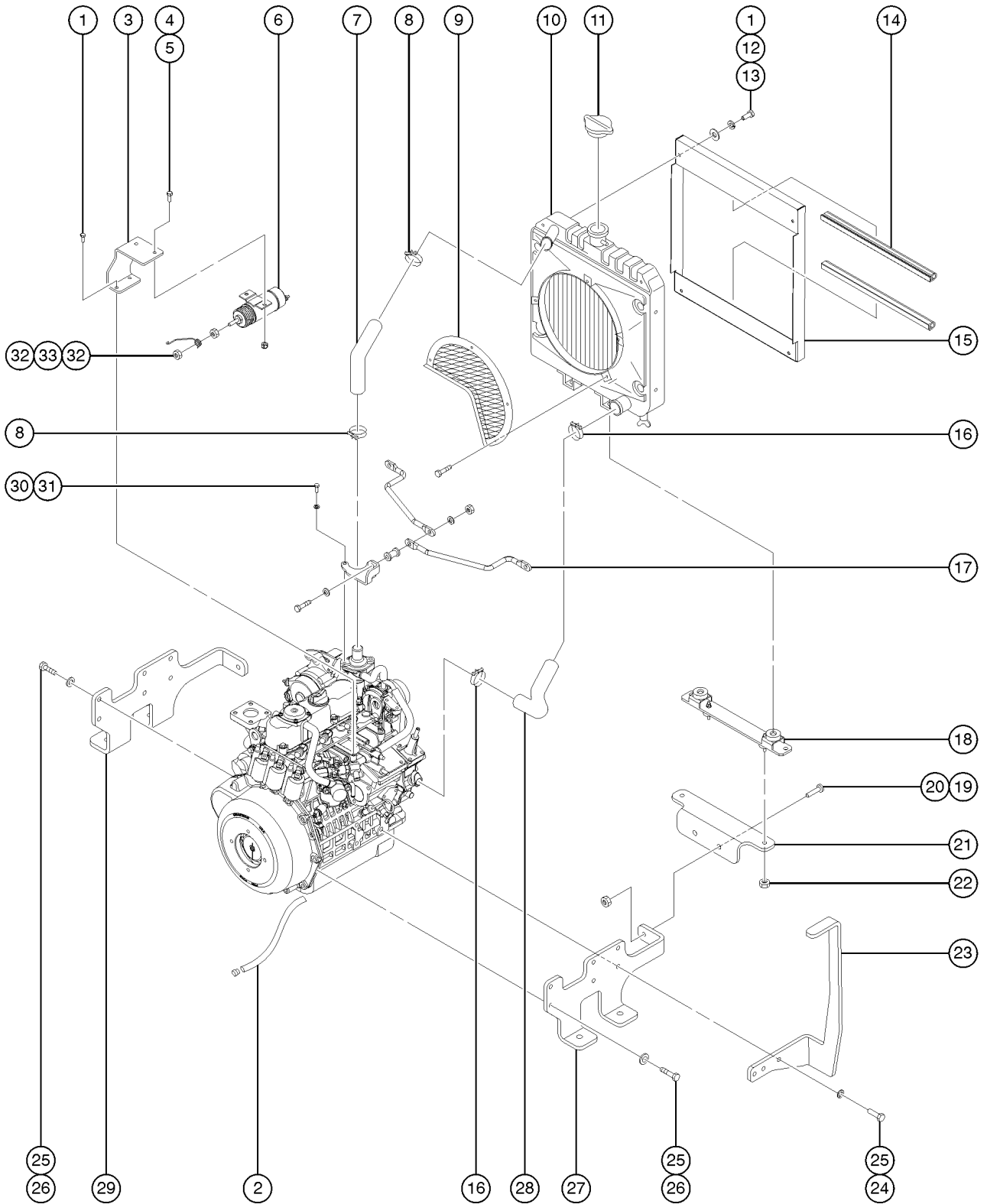
303.1 Kubota WG-972 Engine, View 3



303.1 Kubota WG-972 Engine, View 3

Item	Part No.	Description	Qty.	Item	Part No.	Description	Qty.
--		<i>for internal engine components, contact engine dealer</i>		29	131765	WELDMENT, ENGINE SWING TRAY.....	1
1		SPARK PLUG WIRE 1.....	1	30	4828	NUT,NYLOCK,3/8-16	
		<i>component no longer available</i>		31	6019	SCREW,HHC,3/8-16 X 1.25 GRD 5	
2		SPARK PLUG WIRE 2.....	1	32	131813	BEARING,BRZ,FL,1.0IDX1.25OD....	2
		<i>component no longer available</i>		33	112929	ISOLATOR,ENGINE,CNTR-BOND,50D.4	
3		SPARK PLUG WIRE 2.....	1	34	104235	SCREW,HHC,1/2-13X2.25 GRD 8	
		<i>component no longer available</i>		35	6095	WASHER,FLAT,USS,1/2",Y.....	1
4	235523	ASSY, PLATE CONTROL, WG972.....	1	36	112946	WASHER,FENDER,.5X2.125	
5	235524	ROD, GOVERNOR, WG972		37	6198	NUT,NYLOCK,1/2-13	
6	235525	SPRING, GOVERNOR, WG972.....	1	38	131897	FORMING,ENGINE MOUNT,RT,DF-972.....	1
7	84053	LEVER,GOVERNOR,DF***.....	1	39	128332	BRACKET, AIR CLEANER.....	1
8	52521	NUT,TAIPIPE,KUBOTA, 2668		40	139203	SPARK PLUG, DF972.....	3
9	52535	WASHER,LOCK,GOV.LEVER,DF750***		41	128516	CAP, SPARK PLUG.....	3
10	52536	WASHER,FLAT,GOV.LEVER, DF750					
11	44190	SPRING,GOVERNOR,LOWER, WG750**.....	1				
12	229073	CABLE END.....	1				
13	229071	SOLENOID,THROTTLE W/CABLE.....	1				
14	6888	SCREW,HHC,1/4-20 X 1					
15	6638	WASHER,FLAT,USS,1/4"Y					
16	6091	NUT,NYLOCK,1/4-20					
17	235526	BOLT, THROTTLE RET., WG972					
18		<i>not used</i>					
19	229243	BRACKET, THROTTLE END RETAINER.....	1				
20	148023	FORMING,AIR CLEANER MT,DF-972.....	1				
21	128350	IGNITION MODULE, DF972.....	1				
22	49817	SCREW,PHILLIPS,PHM,10-32 X1.25					
23	6146	WASHER,FLAT,MS,#10,Y					
24	14392	NUT,LP NYLOCK,10-32					
25	89997	RELAY MODULE(89996,89998).....	1				
26	94532	BOTTLE,COOLANT RECOVERY,1.4***.....	1				
26A	115431	CAP ASSY,COOLANT BOTTLE***.....	1				
		<i>for 94532</i>					
27	228698	SCREW,HHC,M10 X 1.25 X 35MM					
28	22700	WASHER,LOCK,M10					

304.1 Kubota WG-972 Engine, View 4

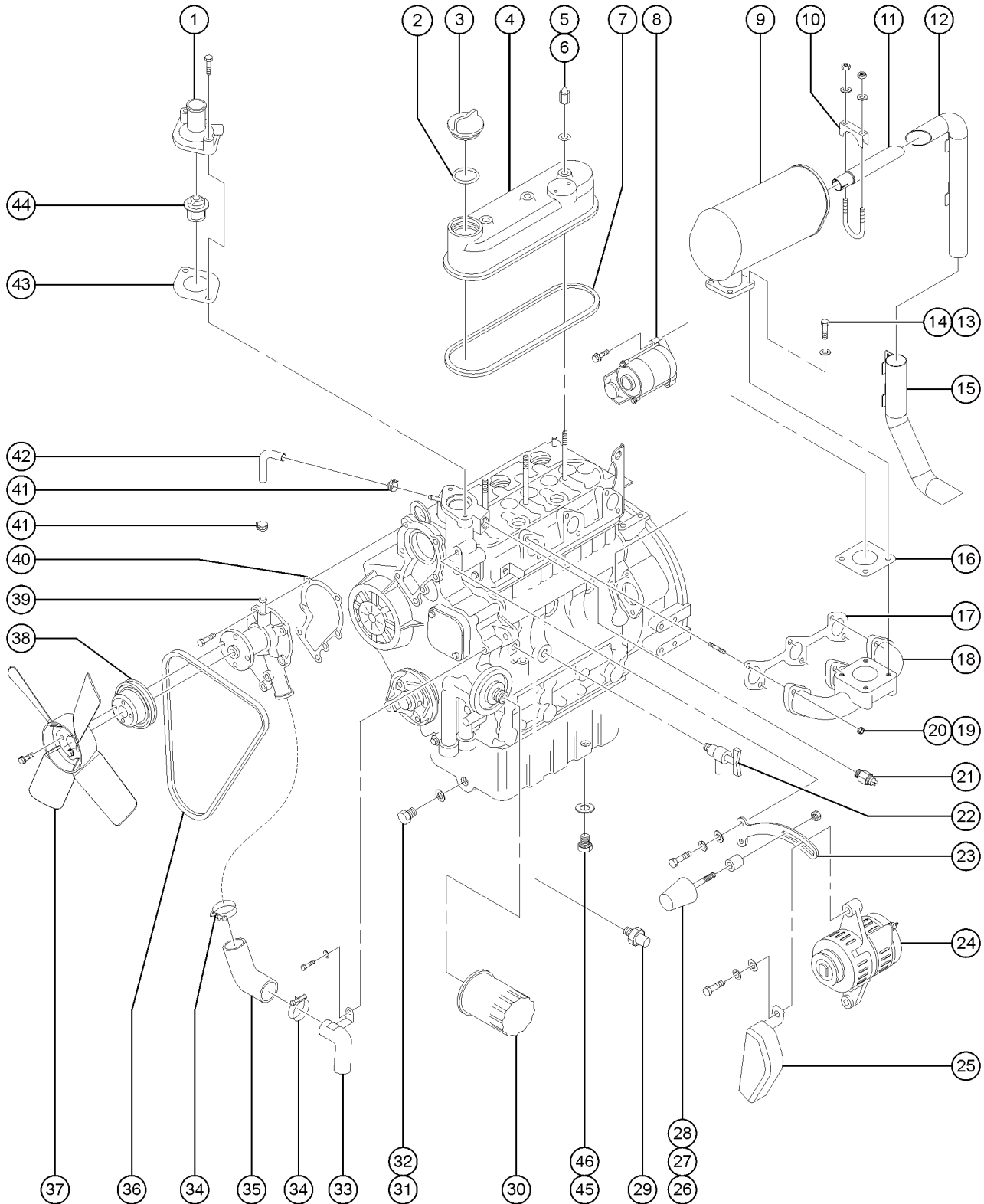


304.1 Kubota WG-972 Engine, View 4

Item	Part No.	Description	Qty.	Item	Part No.	Description	Qty.
--		<i>for internal engine components, contact engine dealer</i>		24	228698	SCREW,HHC,M10 X 1.25 X 35MM.....	2
--		Perkins 404D-22T Engine Spec Decal		25	22700	WASHER,LOCK,M10.....	12
1	49375	SCREW,HHC,M6 X 16.....	6	26	22676	SCREW,HHC,M10 X 1.25 X 30MM**.....	10
2	139168	HOSE ASSY, 3/8",21.00..... <i>oil drain</i>	1	27	131897	FORMING,ENGINE MOUNT,RT,DF-972.....	1
3	161714	FORMING,CHOKE SOL.MOUNT,DF972.....	1	28	139212	RADIATOR HOSE, LOWER, DF972.....	1
4	6090	SCREW,HHC,1/4-20 X .75.....	2	29	131954	FORMING,ENGIE MOUNT,LT,DF-972.....	1
5	6091	NUT,NYLOCK,1/4-20.....	8	30	235532	SCREW, 8MMX1.25X30MM, WG972	
6	51745	SOLENOID,1"STRKE,12V,SYNCR***.1		31	235533	WASHER, LOCK, 8MM, WG972	
7	139213	RADIATOR HOSE, UPPER, DF972.....	1	32	21496	NUT,HEX,1/4-28	
8	235527	CLAMP, UP. RAD. HOSE, WG972.....	2	33A	51510	CHOKE LINKAGE GS68..... <i>to SN 1580</i>	1
9	84077	GUARD-FAN,905,752 KUBOTA ENG.....	1	33B	161715	ASSY, WIRE ROPE, CHOKE, WG972..... <i>from SN 1581</i>	1
10A	139211	RADIATOR ASSY, DF972.....	1				
--	131581	HOSE,RAD.OVERFLOW,KD-1105,50".1					
--	87584	CLAMP,HOSE,SELF TIGHT, 7/16.... <i>for 131581</i>	2				
10B	94532	BOTTLE,COOLANT RECOVERY,1.4***.....	1				
--	115431	CAP ASSY,COOLANT BOTTLE***..... <i>for 94532</i>	1				
11	139215	RADIATOR CAP, DF972.....	1				
12	6356	WASHER,LOCK,,25					
13	6638	WASHER,FLAT,USS,1/4"Y					
14	233933	SEAL, RUBBER STRT BULB, 15.25".....	2				
15	139173	SHROUD, RADIATOR.....	1				
16	235528	CLAMP, LWR. RAD. HOSE, WG972.....	2				
17	235529	SUPPORT, KIT RADIATOR, WG972.....	1				
18	235530	STAY, RADIATOR, WG972.....	1				
19	6019	SCREW,HHC,3/8-16 X 1.25 GRD 5.....	4				
20	4828	NUT,NYLOCK,3/8-16.....	4				
21	112871	FORMING,RAD.MOUNT,D972.....	1				
22	235531	NUT, RADIATOR 8MM, WG972					
23	148115	FORMING, PULL HANDLE.....	1				



305.1 Kubota D-1105 Engine, View 1



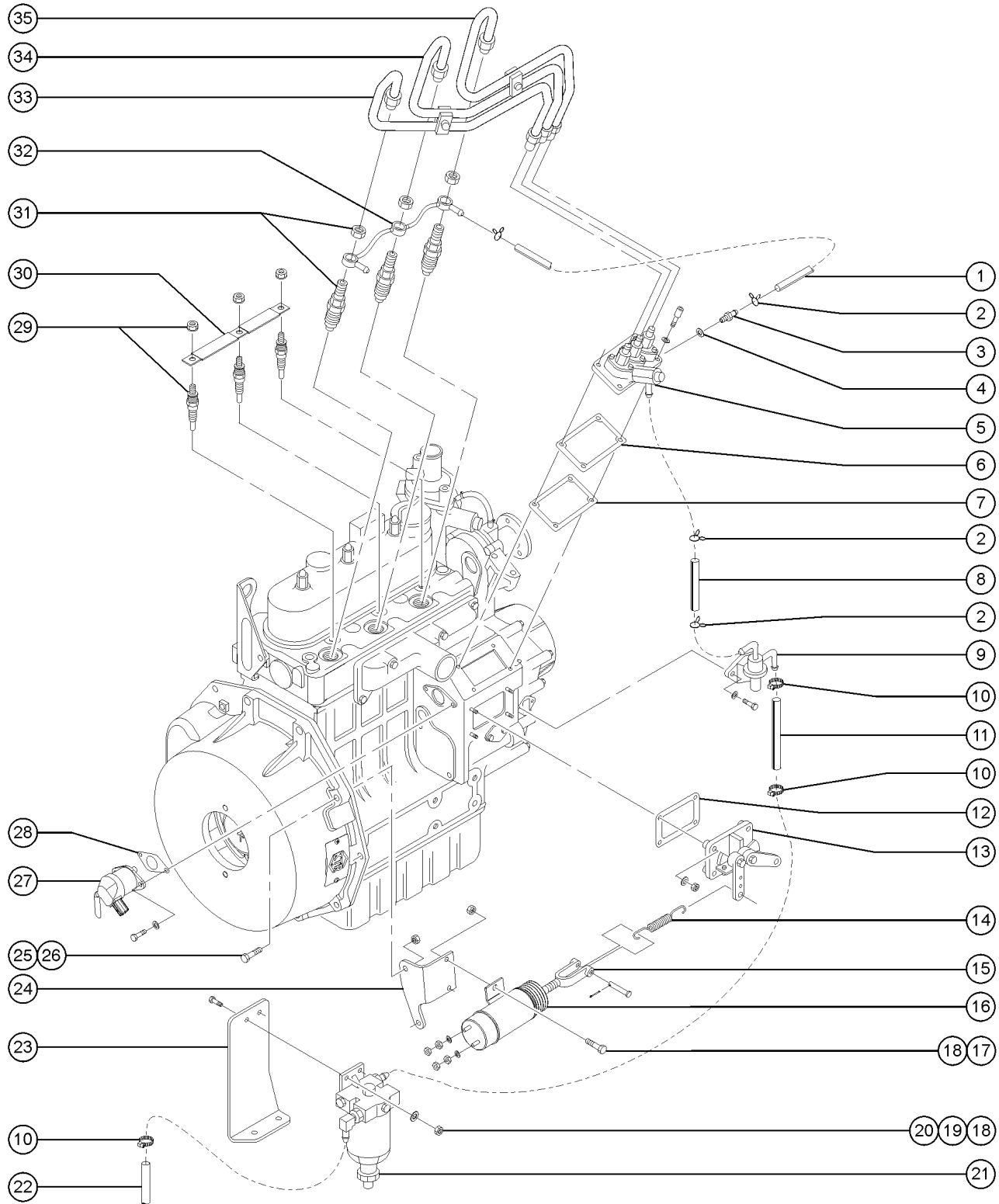


305.1 Kubota D-1105 Engine, View 1

Item	Part No.	Description	Qty.	Item	Part No.	Description	Qty.
--	139273	MANIFOLD, INLET		23	231231	STAY,ALTERNATOR,D-1105.....	1
--	139280	OIL PAN		24	101203	ALTERNATOR,40 AMP,INT REG....	1
--	139282	INNER OIL FILTER <i>(located inside oil pan)</i>		25	148099	COVER,V-BELT,D1105,KUBOTA....	1
--	231234	SWITCH,OIL,D-1105		26	30973	BUMPER,RUBBER-1 X 1.25.....	1
--	52532	PLUG,ENGINE OIL DRAIN,D-905***		27	116503	BUSHING, 630DX.328ID .375T....	1
--	52533	GASKET (52532) OIL DRAIN, D905 <i>for internal engine components, contact engine dealer</i>		28	6002	NUT,LP NYLOCK,5/16-18.....	1
1	139279	THERMOSTAT COVER.....	1	29	22934	SWITCH,OIL,PRESSURE,KUBOTA.1	
2	22903	O-RING,OIL FILLER PLUG,KUBOTA*.....	1	30	31744	FILTER,OIL,KUBOTA D-905/D-1105.....	1
3	839151	KUBOTA OIL FILLER PLUG,V1305.....	1	31	234842	PLUG, ENGINE OIL, D1105.....	1
4	44191	VALVE COVER, D905.....	1	32	234843	GASKET (52532) OIL DRAIN, D905.....	1
5	44193	NUT,VALVE COVER CAP, D905.....	3	33	234844	HOSE,LOWER RADIATOR,DF752.....	1
6	44192	GASKET,VALVE COVER CAP, D905.....	3	34	32185	CLAMP,HOSE.....	2
7	32189	GASKET,VALVE COVER,KUBOTA D905.....	1	35	116523	KUBOTA HOSE,D905, D1105.....	1
8	65837	STARTER,KUBOTA D905 VERS 2***.....	1	36	231233	BELT,FAN,D-1105.....	1
--	32194	SOLENOID,32193 STARTER,D905		37	231232	RAD. FAN,7-BLADE,D-1105.....	1
9	131378	MUFFLER ASSEMBLY.....	1	38	52531	PULLEY,FAN,KUBOTA, D-905,GS68.....	1
10	62160	CLAMP,TAILPIPE, 1 1/2*** <i>Includes mounting fasteners</i>	1	--	101200	FAN DRIVE PULLEY,KUBOTA	
11	131945	TAILPIPE,DIESEL,GS69.....	1	38A	231929	COLLAR, 7 BLADE FAN, D1105....	1
12	148416	TAILPIPE,EXTENSION,UNIV.....	1	39	101201	WATER PUMP ASSY,KUBOTA.....	1
13	25929	SCREW,HHC,M8 X 30MM,GRD 8.8.....	4	40	32199	GASKET,WATER PUMP,KUBOTA D905.....	1
14	49408	WASHER,LOCK,M8.....	4	41	32069	CLAMP,HOSE,KUBOTA WG750....	2
15	228974	TAILPIPE,END,UNIV.....	1	42	32200	HOSE,WATER PUMP RETURN,D905.....	1
16	27363	GASKET,MUFFLER,KUBOTA GAS***.....	1	43	28092	GASKET,THERMOSTAT-28091.....	1
17	231236	GASKET,EXHAUST MANIFOLD,D905.....	1	44	139278	THERMOSTAT.....	1
18	32192	MANIFOLD,EXHAUST,KUBOTA D905.....	1	45	162455	PLUG PLUGENGINEOIL,D1105 BTM..... <i>(from SN 2312)</i>	1
19	101209	NUT,EXHAUST MANIFOLD.....	6	46	162456	GSKT, PLUENGINEOIL,D1105 BTM..... <i>(from SN 2312)</i>	1
20	101208	STUD,EXHAUST MANIFOLD.....	6				
21	54332	SWITCH,WATER TEMP.....	1				
22	32077	PETCOCK,DRAIN,KUBOTA WG750B.....	1				



306.1 Kubota D-1105 Engine, View 2

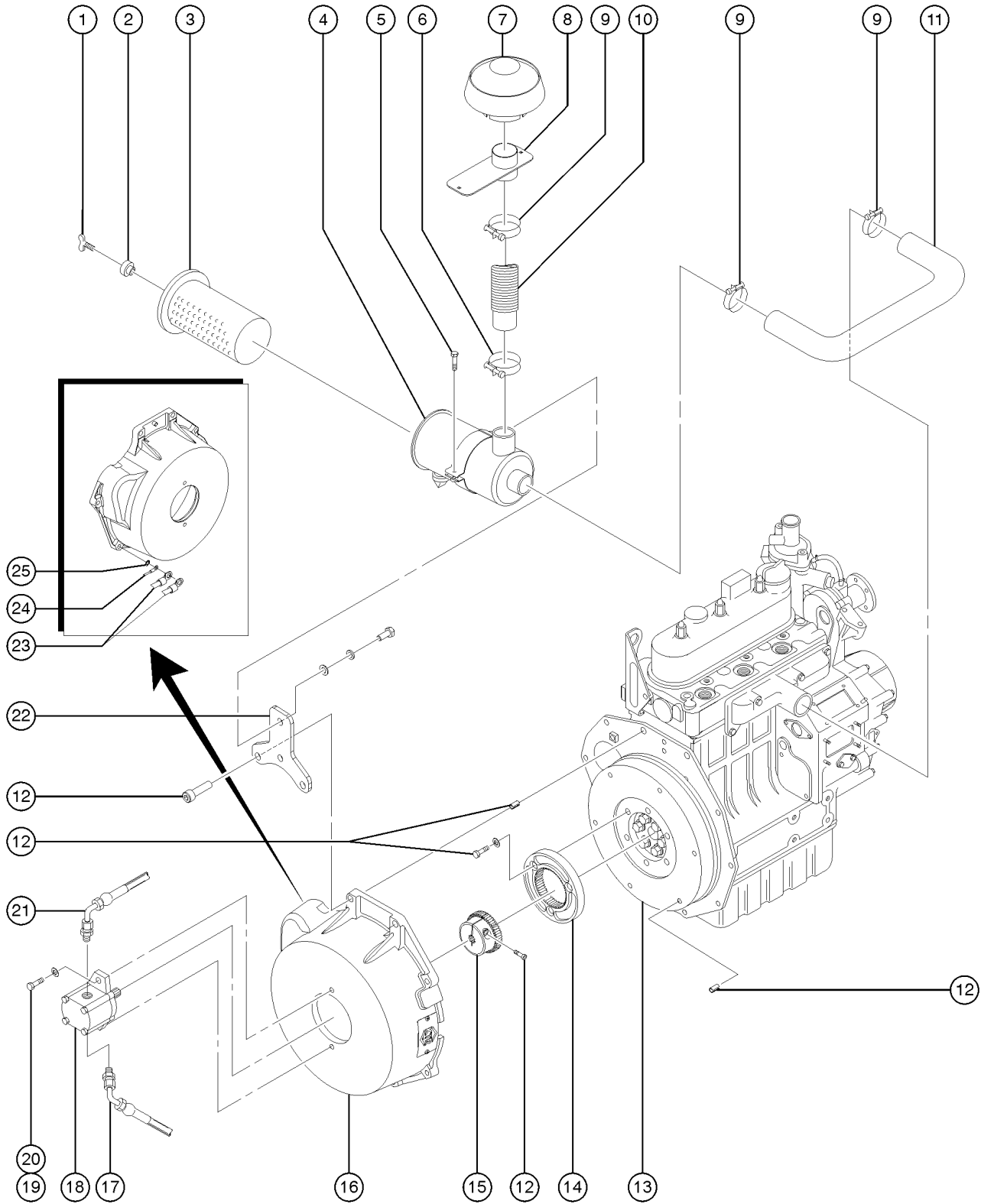


306.1 Kubota D-1105 Engine, View 2

Item	Part No.	Description	Qty.	Item	Part No.	Description	Qty.
--		<i>for internal engine components, contact engine dealer</i>		24	148055	FORMING,SOLENOID MNT,D-1105.....	1
1	35418	HOSE,FUEL,3/16,SAE 30R7.....3-inches <i>injector pump to injector pipe assy</i>		25	61741	SCREW,HHC,5/16-18 X 1.50	
2	52834	CLAMP-HOSE, .375, FUEL PUMP.....3		26	6782	NUT,NYLOCK,5/16-18	
3	62119	SCREW-AIR BREATHER, D905		27	99199	SOLENOID,FUEL SHUTOFF,D905***.....	1
4	44181	GASKET,VALVE COVER CAP, WG750.....1		28	52534	GASKET,FUEL SHUTOFF,32183,D905.....	1
5	44199	PUMP,INJECTION ASSY, D905.....	1	29	62115	GLOW PLUG,D905.....	3
6	32103	GASKET,INJECTION PUMP.....	1	30	62118	JUMPER-GLOW PLUG.....	1
7	32182	GASKET,INJECTION PUMP.....	1	31	62116	INJECTOR,FUEL,D905**.....	3
8	236007	HOSE, FUEL PUMP TO INJ, D1105.....1 <i>lift pump to injector pump</i>		32	62117	PIPE ASSY-OVERFLOW-D905.....	1
9	32202	PUMP,FUEL,KUBOTA D905.....	1	32A	35418	HOSE,FUEL,3/16,SAE 30R7.....89-inches <i>injector pipe assy to tank</i>	
--	32203	GASKET,FUEL PUMP,D905.....	1	33	44196	PIPE,INJECTOR 1,D905,D1105.....	1
10	44909	CLAMP,HOSE,.25.....	3	34	44197	PIPE,INJECTOR 2,D905,D1105.....	1
11	71909	HOSE,FUEL,5/16 HIGH PRESSURE**.....18-inches <i>fuel/water separator to lift pump</i>		35	44198	PIPE,INJECTOR 3,D905,D1105.....	1
12	44202	GASKET,SPEED CONTROL ASSY,D905.....	1				
13	234867	SPEED CONTROL ASSY.....	1				
--	44201	SPRING,RETURN,SPEED CONTR,D905					
14	31379	SPRING,TENSION-1.25 X.438 DIA.....	1				
15	21130	CLEVIS YOKE-1/4-28,PLTD W/PIN.....	1				
16	51745	SOLENOID,1"STRKE,12V,SYNCR***.	1				
17	6090	SCREW,HHC,1/4-20 X .75					
18	6091	NUT,NYLOCK,1/4-20					
19	6888	SCREW,HHC,1/4-20 X 1					
20	6638	WASHER,FLAT,USS,1/4"Y					
21	56949	FILTER/SEPARATOR,FUEL DIESEL**.....	1				
--	65853	FILTER,FUEL/WATER SEPARATOR***					
22	27089	HOSE,5/16 FUEL,SAE 30R7.....89-inches <i>fuel tank to fuel/water separator</i>					
23	148054	FORMING,FUEL FILTER MNT,D-1105.....	1				



307.1 Kubota D-1105 Engine, View 3

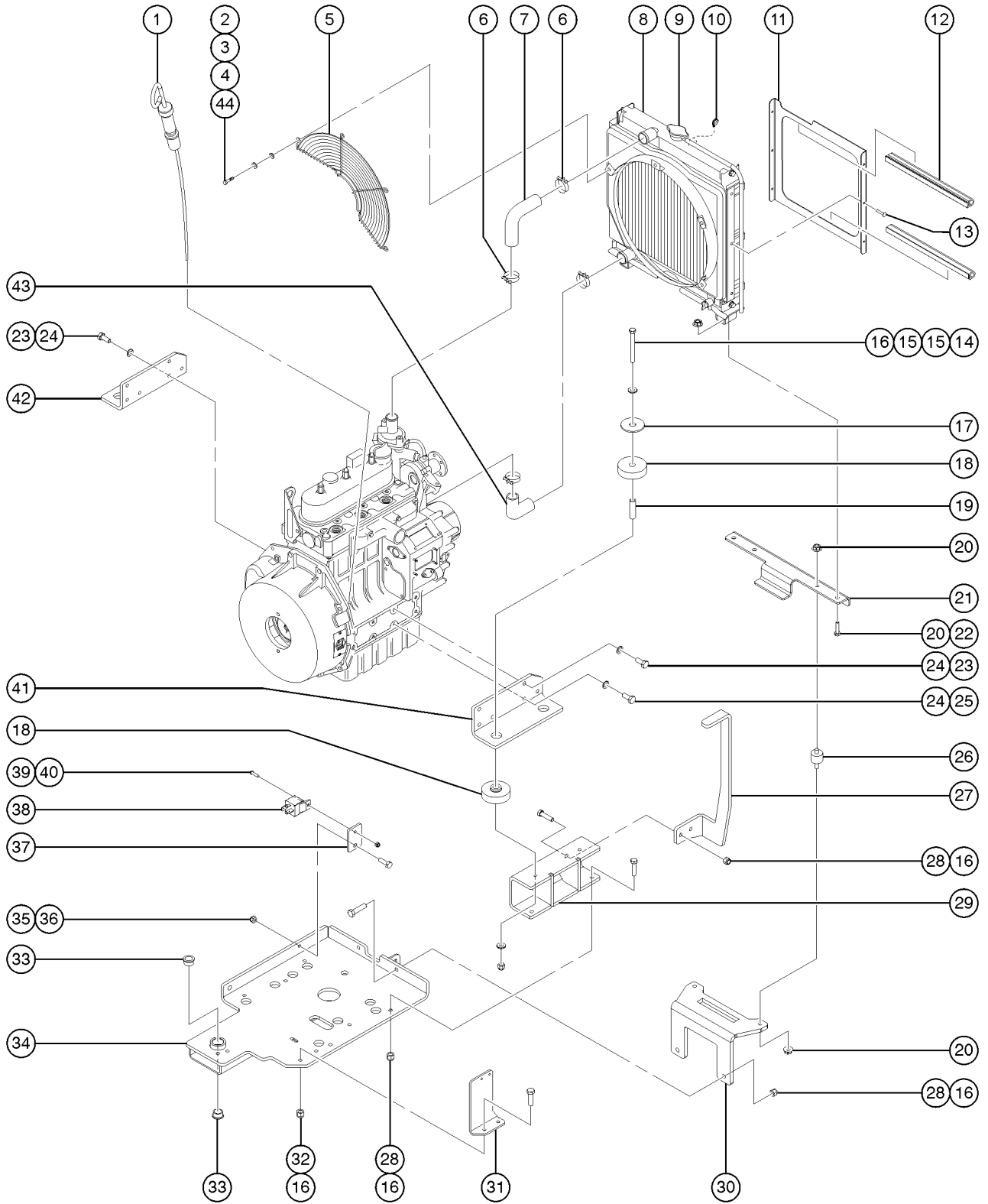


307.1 Kubota D-1105 Engine, View 3

Item	Part No.	Description	Qty.	Item	Part No.	Description	Qty.
--	139273	MANIFOLD, INLET		22	74544	BRKT. AIR CLEANER MOUNT.....1	
--		<i>for internal engine components, contact engine dealer</i>		23		Ref., HARNESS,BATTERY <i>(refer to 408.1)</i>	
1	44203	BOLT,WING,FILTER ELEMENT, D905.....	1	24		Ref., HARNESS,ENGINE <i>(refer to 408.1)</i>	
2	44204	WASHER ASSY,FILTER ELEMNT,D905.....	1	25	6700	WASHER,STAR,EXTERNAL,,375 <i>(from SN 2312)</i>	
3	236095	FILTER,AIR,D1105.....	1				
4	101202	AIR CLEANER ASSY.....	1				
		<i>includes items 1-5</i>					
5	101204	AIR CLEANER STAY.....	1				
5	62296	SCREW,M8 X 35MM.....	1				
6	45435	CLAMP,HOSE,2.50"***.....	1				
7	52420	CAP,RAIN,AIR CLEANER, GS68RT**.....	1				
8	99097	WELDMNT,RAIN CAP MNT, KUBOTA.....	1				
9	22672	CLAMP,HOSE,1.75.....	3				
10	131372	HOSE,1.75ID,2.50IDX12.0".....	1				
11	43700	PIPE,INLET, D905.....	1				
12A	104367	HARDWARE KIT, BELLHSING K-D905.....	1				
		<i>(for SN 101 to 2311)</i>					
12B	162463	HRDWKIT,BELLHSING,KD-1105,GRDN.1 <i>(from SN 2312)</i>	1				
13	139274	COMP. FLYWHEEL.....	1				
--	99882	BOLT,FLYWHEEL,KUBOTA D905					
14	74386	ADAPTER, FLANGE GEAR, 3 HOLE.....	1				
15	104366	COUPLER,SPLINED,9TOOTH, GS68.....	1				
16A	131484	BELLHOUSING, KD-1105, A-PILOT.....	1				
		<i>(for SN 101 to 2311)</i>					
16B	161695	KIT,HOUSING,COUPLER,APILOT,GDN <i>(from SN 2312)</i>	1				
17	227475	HOSE ASSY,SUCT(TANK)-IN(PUMP).....	1				
18	87918	PUMP,GEAR,16CC***.....	1				
--	85197	SEAL KIT,BOSCH PUMP***					
19	6019	SCREW,HHC,3/8-16 X 1.25 GRD 5					
20	6021	WASHER,LOCK,,375					
21	227476	HOSE ASSY,OUT(PUMP)-HP FILTER.....	1				



308.1 Kubota D-1105 Engine, View 4

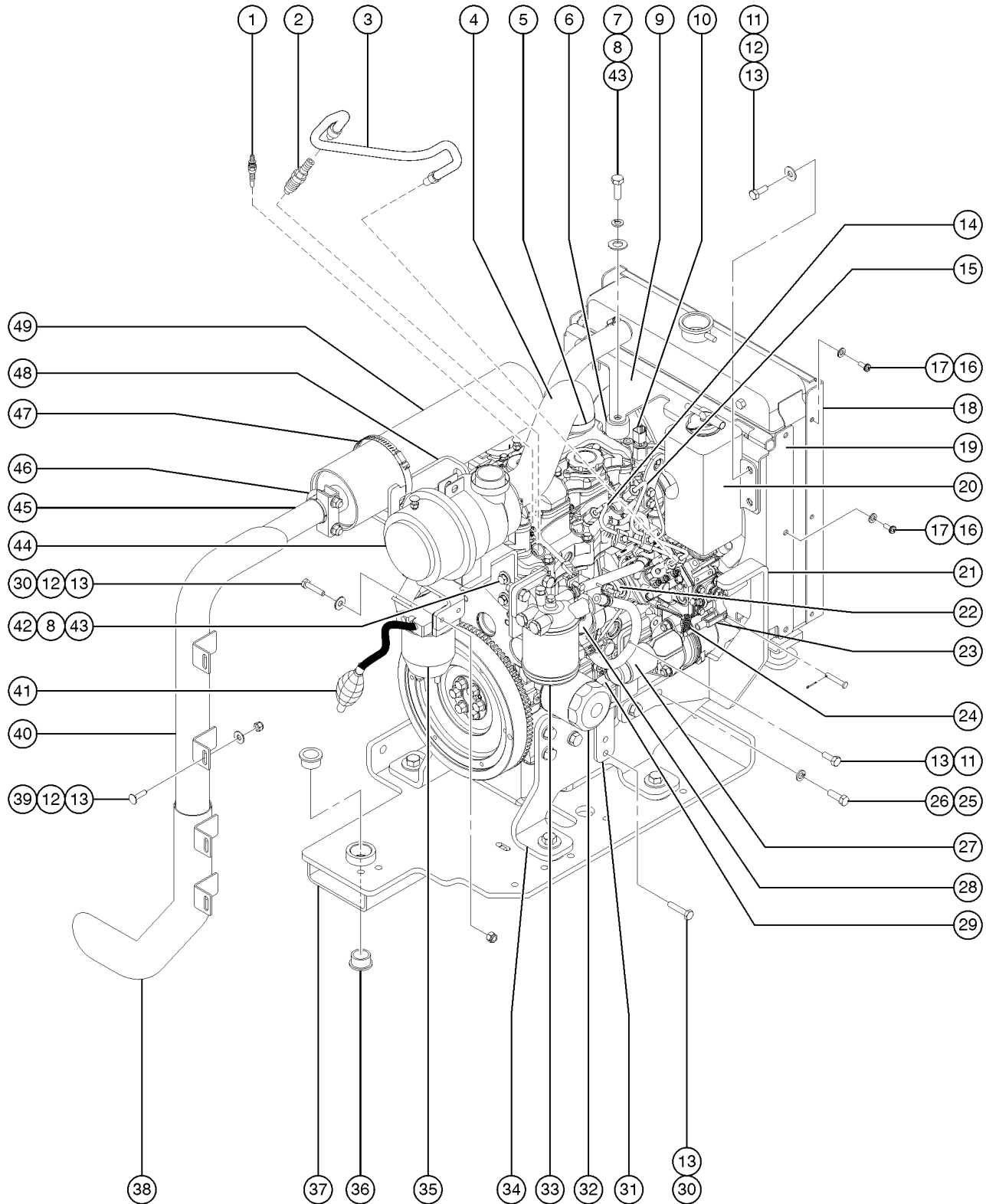


308.1 Kubota D-1105 Engine, View 4

Item	Part No.	Description	Qty.	Item	Part No.	Description	Qty.
--		<i>for internal engine components, contact engine dealer</i>		30	227925	FORMING, RADIATOR MOUNT, D1105.....	1
--	139277	COMP. WATER FLANGE.....	1	31	148054	FORMING, FUEL FILTER MNT, D-1105.....	1
1	231226	DIPSTICK, D-1105.....	1	32	6019	SCREW, HHC, 3/8-16 X 1.25 GRD 5	
--	231227	DIPSTICK GUIDE, D-1105		33	131813	BEARING, BRZ, FL, 1.0IDX1.25OD....	2
2	234845	BOLT, FAN COVER, D1105		34	131765	WELDMENT, ENGINE SWING TRAY.....	1
3	234846	WASHER, FAN COVER, D1105		35	6782	NUT, NYLOCK, 5/16-18	
4	234847	WASHER, LOCK, FAN COVER, D1105		36	13022	SCREW, HHC, 5/16-18 X 1 INCH	
5	131373	COVER, FAN.....	1	37	227872	PLATE, GLWPLUG, RELAY MT, D1105.....	1
6	32185	CLAMP, HOSE.....	4	38	61225	RELAY, 12VDC, 70AMP, SEALED.....	1
7	32205	HOSE, UPPR RADIATOR, KUBOTA D905.....	1	39	6606	SCREW, RHM, 10-32 X .75	
8	112531	RADIATOR ASSY, ALUM. D-905.....	1	40	6178	NUT, NYLOCK, 10-32	
--	115431	CAP ASSY, COOLANT BOTTLE*** <i>for 94532</i>		41	148053	FORMING, ENGINE MNT, RT, D1105.....	1
--	131581	HOSE, RAD. OVERFLOW, KD-1105, 50"		42	148052	FORMING, ENGINE MNT, LFT, D-11.....	1
--	94532	BOTTLE, COOLANT RECOVERY, 1.4***		43	131427	HOSE, RADIATOR, LOWER, D905.....	1
9	23061	CAP, RADIATOR, 13 PSI.....	1	44	234848	NUT, FAN COVER, D1105	
10	45454	CLAMP, RUB CUSH, 0.75, #12 X 3/8*.....	1				
11	128328	BRKT, BAFFLE, RADIATOR.....	1				
12	233822	SEAL, RUBBER 90D BULB, 15IN....	2				
13	51738	SCREW, RHM, M6 X 12MM					
14	6605	SCREW, HHC, 3/8-16 X 3.5, GR5					
15	5397	WASHER, FLAT, USS, 5/16", Y					
16	4828	NUT, NYLOCK, 3/8-16					
17	33418	WASHER, FLAT, .625 X 2.25 X .15					
18	24037	SHOCK MOUNT, LARGE** .....	4				
19	139230	SPACER, SHOCK MOUNT					
20	18503	NUT, LOCKING-LG. FLANGE, 5/16-18					
21	231574	MOUNT, RADIATOR, D1105.....	1				
22	13000	SCREW, HHC, 5/16-18 X 1.25					
23	22676	SCREW, HHC, M10 X 1.25 X 30MM**					
24	22700	WASHER, LOCK, M10					
25	228698	SCREW, HHC, M10 X 1.25 X 35MM					
26	219437	ISOLATOR, VIBRATION.....	2				
27	230477	FORMING, PULL HANDLE, D1105.....	1				
28	8516	SCREW, HHC, 3/8-16 X 1.50, GR5					
29	230473	WELDMENT, RISE BRKT, D1105....	2				



309.1 Perkins 403D-11 Engine, View 1





309.1 Perkins 403D-11 Engine, View 1

Item	Part No.	Description	Qty.	Item	Part No.	Description	Qty.
--		<i>for internal engine components, contact engine dealer</i>		27	77402	SOLENOID,THROTTLE ACTUATOR DSL.....	1
1	139270	GLOW PLUGS.....	3	28	139267	LIFT PUMP (FUEL).....	1
2	139272	FUEL INJECTOR.....	3	29	101320	DIPSTICK,STRAIGHT SHORT.....	1
3	84814	PIPE,INJECTOR 3, 403C-11.....	1	--	54556	DIPSTICK TUBE,PERKINS 104-22**	
4	94244	HOSE,AIR INTAKE,PERKINS.....	1	30	8915	SCREW,HHC,1/4-20 X 1.25.....	4
5	35434	CLAMP,HOSE,2.00*** .....	3	31	131656	FORMING,SOLENOID MNT,PRK,403D.....	1
6	60585	ISOLATOR,VIBRATION,M8 MALE/FEM.....	1	32	94762	OIL FILTER - PERKINS.....	1
7	49379	SCREW,HHC,M8 X 1.25 X 25.....	1	33	94889	FUEL FILTER ASSEMBLY.....	1
8	6886	WASHER,LOCK,.313.....	3	--	62421	FILTER,FUEL,PERKINS	
9	112640	FORMING,UPPER RAD.SUPPORT.....	1	34	148035	FORMING,ENG MNT RT,PRK 403D.....	1
10	119809	SWITCH, OIL PRESSURE.....	1	35	56949	FILTER/SEPARATOR,FUEL DIESEL** .....	1
11	6090	SCREW,HHC,1/4-20 X .75.....	5	--	42767	SEPARATOR/FILTER ELEMENT,FUEL*	
12	6638	WASHER,FLAT,USS,1/4"Y.....	9	36	131813	BEARING,BRZ,FL,1.0IDX1.25OD....	2
13	6091	NUT,NYLOCK,1/4-20.....	14	37	131765	WELDMENT, ENGINE SWING TRAY .....	1
14	84813	PIPE,INJECTOR 2, 403C-11.....	1	38	228974	TAILPIPE,END,UNIV.....	1
15	84812	PIPE,INJECTOR 1, 403C-11.....	1	39	79456	BOLT,CARRIAGE,1/4-20 X 1.00,G2.....	4
16	21019	SCREW,PHIL,PHM,10-24 X.5,SEMS.....	12	40	148416	TAILPIPE,EXTENSION,UNIV.....	1
17	25926	WASHER,FLAT,M6 PLTD.....	12	41	85155	PUMP,PRIMER,PERKINS*** .....	1
18	148390	FORMING,RADIATOR SHROUD,403D.....	1	41A	233948	HOSE, FUEL 5/16",2"LG.....	1
18	233822	SEAL, RUBBER 90D BULB, 15IN.... <i>for 148390</i>	2			<i>primer bulb to fuel/water separator</i>	
19	112639	FORMING,RAD.SHROUD,PERKINS.	1	41A	233949	HOSE, FUEL 5/16",89"LG.....	1
20	94532	BOTTLE,COOLANT RECOVERY,1.4*** .....	1			<i>fuel tank to primer bulb</i>	
--	115431	CAP ASSY,COOLANT BOTTLE*** .....	1	41A	236045	HOSE, FUEL PUMP TO FILTER, 403D.....	1
		<i>lift pump to fuel filter</i>					
21	148399	FORMING,PULL HANDLE,PERKINS.....	1	41A	236046	HOSE, FUEL FILTER -INJ., 403D....	1
		<i>fuel filter to injector pump</i>					
22	236426	SOLENOID KIT,SHUT DN,PERKINS.....	1	41A	35418	HOSE,FUEL,3/16,SAE 30R7.....	72-inches
		<i>injector nozzle to tank</i>					
23	21130	CLEVIS YOKE-1/4-28,PLTD W/PIN.....	1	41A	71909	HOSE,FUEL,5/16 HIGH PRESSURE** .....	8-inches
		<i>fuel/water separator to lift pump</i>					
24	31379	SPRING,TENSION-1.25 X.438 DIA.....	1	42	25929	SCREW,HHC,M8 X 30MM,GRD 8.8.....	2
25	75175	SCREW,HHC,M12X 1.25X36MM,GR8.8.....	2	43	5397	WASHER,FLAT,USS,5/16",Y	
26	6033	WASHER,LOCK,0.5" .....	6	44	119684	AIRCLEANER ASSEMBLY.....	1

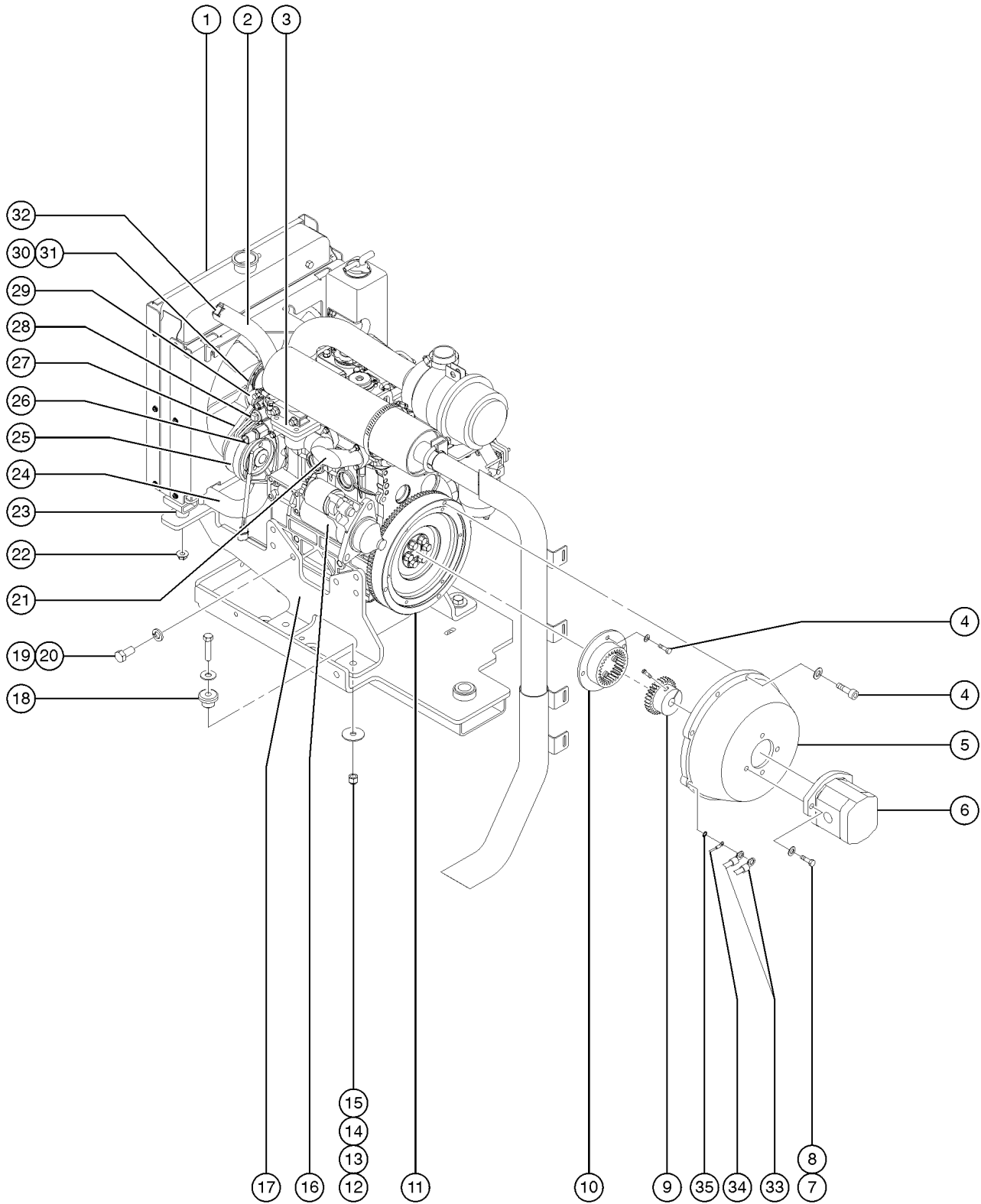


309.1 Perkins 403D-11 Engine, View 1  
(continued)

Item	Part No.	Description	Qty.
--	119685	BRACKET, AIRCLEANER MT.	
--	52867	FILTER-AIR CLEANER Z482-E	
45	148109	TAILPIPE,403D-11,GS69.....	1
46	62160	CLAMP,TAILPIPE, 1 1/2"*** .....	2
47	34955	CLAMP,HOSE,5.00.....	1
48	229668	FORMING, AIR CLNR MNT,PRK 403D P.....	1
49	94239	MUFFLER,RND,TYPE 5,4.57 DIAX.....	1

*This Page Intentionally Left Blank*

310.1 Perkins 403D-11 Engine, View 2

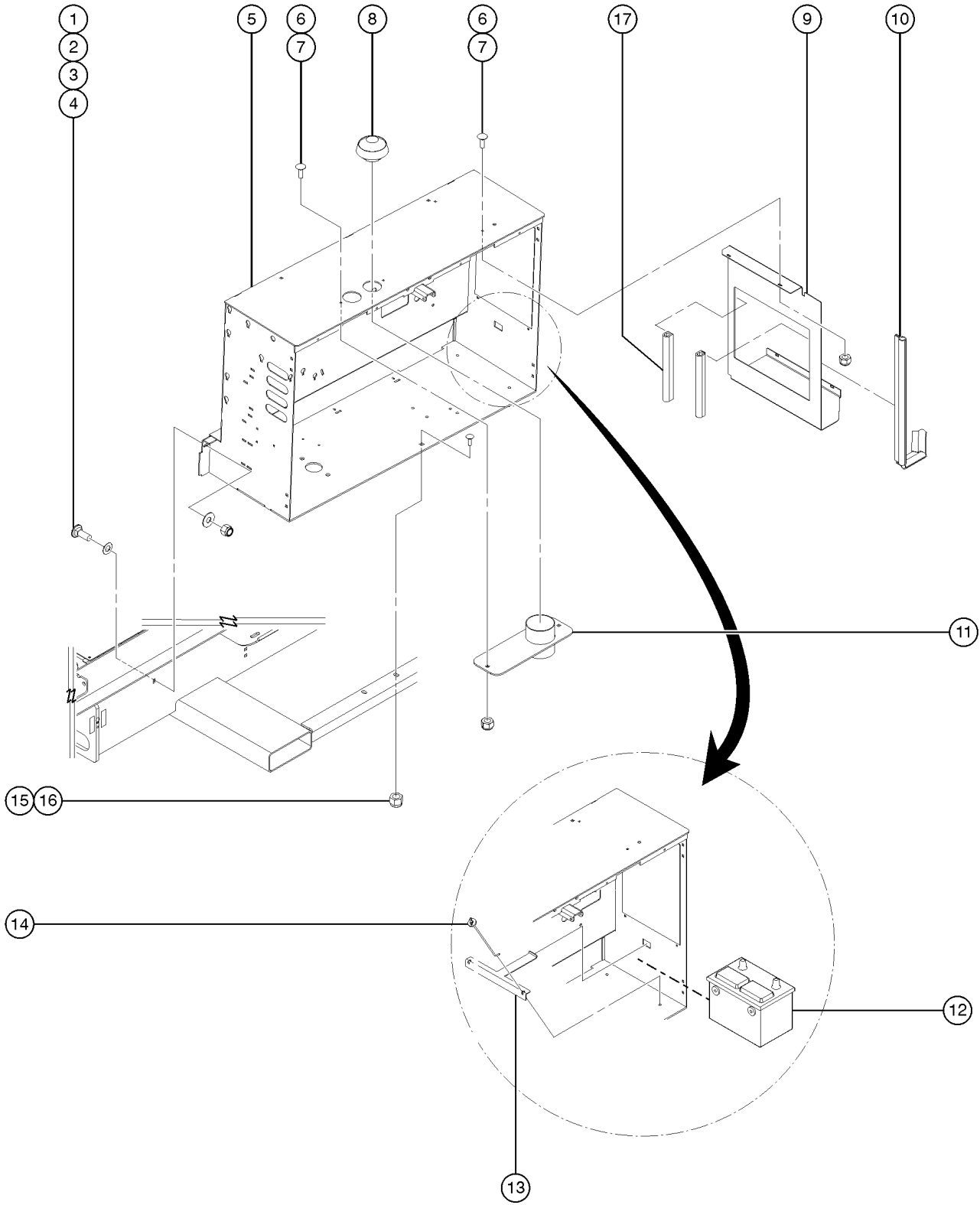


310.1 Perkins 403D-11 Engine, View 2

Item	Part No.	Description	Qty.	Item	Part No.	Description	Qty.
--	-	<i>for internal engine components, contact engine dealer</i>		19	94784	SCREW,HHC,M12X1.25X25,GR 8.8.....	10
1	94232	RADIATOR.....	1	20	6033	WASHER,LOCK,0.5".....	10
--	1254823	CAP,RADIATOR,PERKINS (94232).....	1	21	101325	MANIFOLD,EXHAUST.....	1
2	94242	HOSE,RADIATOR,UPPER PERKINS.....	1	--	131664	NUTS,EXHAUST	
3	94240	WELDMENT,HEAD PIPE,PERKINS.....	1	--	131665	STUDS,EXHAUST	
4A	84816	HARDWARE KIT,BELLHSNG 403C-11..... <i>(for SN 101 to 2311)</i>	1	--	72343	GASKET,EXH FLANGE-PERKINS54555	
4B	162460	HARDWARE KIT,BELLHSNG GRDN <i>(from SN 2312) (includes fasteners for hub adapter and bellhousing)</i>		--	85143	GASKET-EXHAUST MANIFOLD/PERKIN	
5A	99851	HOUSING,COUPLER,A PILOT,PERKIN..... <i>(for SN 101 to 2311)</i>	1	22	18503	NUT,LOCKING-LG.FLANGE,5/16-18.2	
5B	162459	HOUSING,CPLR,APILOT,PERKIN,GRD <i>(from SN 2312)</i>		23	219437	ISOLATOR,VIBRATION.....	2
6	87918	PUMP,GEAR,16CC***.....	1	24	94243	HOSE,RADIATOR,LOWER,PERKINS.1	
--	85197	SEAL KIT,BOSCH PUMP***		25	101324	ALTERNATOR,40 AMP,INT REGULATE.....	1
7	6019	SCREW,HHC,3/8-16 X 1.25 GRD 5		26	97473	SENSOR,WATER TEMPERATURE.....	1
8	6021	WASHER,LOCK,,375		27	85071	BELT-FAN, PERKINS (103.10).....	1
9A	99852	COUPLER,HUB,9T A-A SPLN PERKIN..... <i>(for SN 101 to 2311)</i>	1	28	97473	SENSOR,WATER TEMPERATURE.....	1
9B	162461	COUPLER,HUB9TA-APLNSPERKINGDN <i>(from SN 2312)</i>		29	101322	PUMP,WATER.....	1
10A	94688	ADAPTER, FLANGE GEAR, 3 HOLE..... <i>(for SN 101 to 2311)</i>	1	30	101341	FAN.....	1
10B	162462	ADAPTER,FLANGE GEAR,3 HOLE,GRDN <i>(from SN 2312)</i>		31	101319	FAN PULLEY.....	1
11	101318	FLYWHEEL.....	1	32	30348	CLAMP,HOSE,1.00.....	4
12	6198	NUT,NYLOCK,1/2-13.....	4	33	-	Ref., HARNESS,BATTERY <i>(refer to 408.1)</i>	
13	112946	WASHER,FENDER,,5X2.125.....	4	34	-	Ref., HARNESS,ENGINE <i>(refer to 408.1)</i>	
14	6095	WASHER,FLAT,USS,1/2",Y.....	4	35	6700	WASHER,STAR,EXTERNAL,,375 <i>(from SN 2312)</i>	
15	104235	SCREW,HHC,1/2-13X2.25 GRD 8...4					
16	228458	STARTER, PERKINS, 403D.....	1				
17	148036	FORMING,ENG MNT LT,PRK 403D.....	1				
18	112929	ISOLATOR,ENGINE,CNTR-BOND,50D.4					



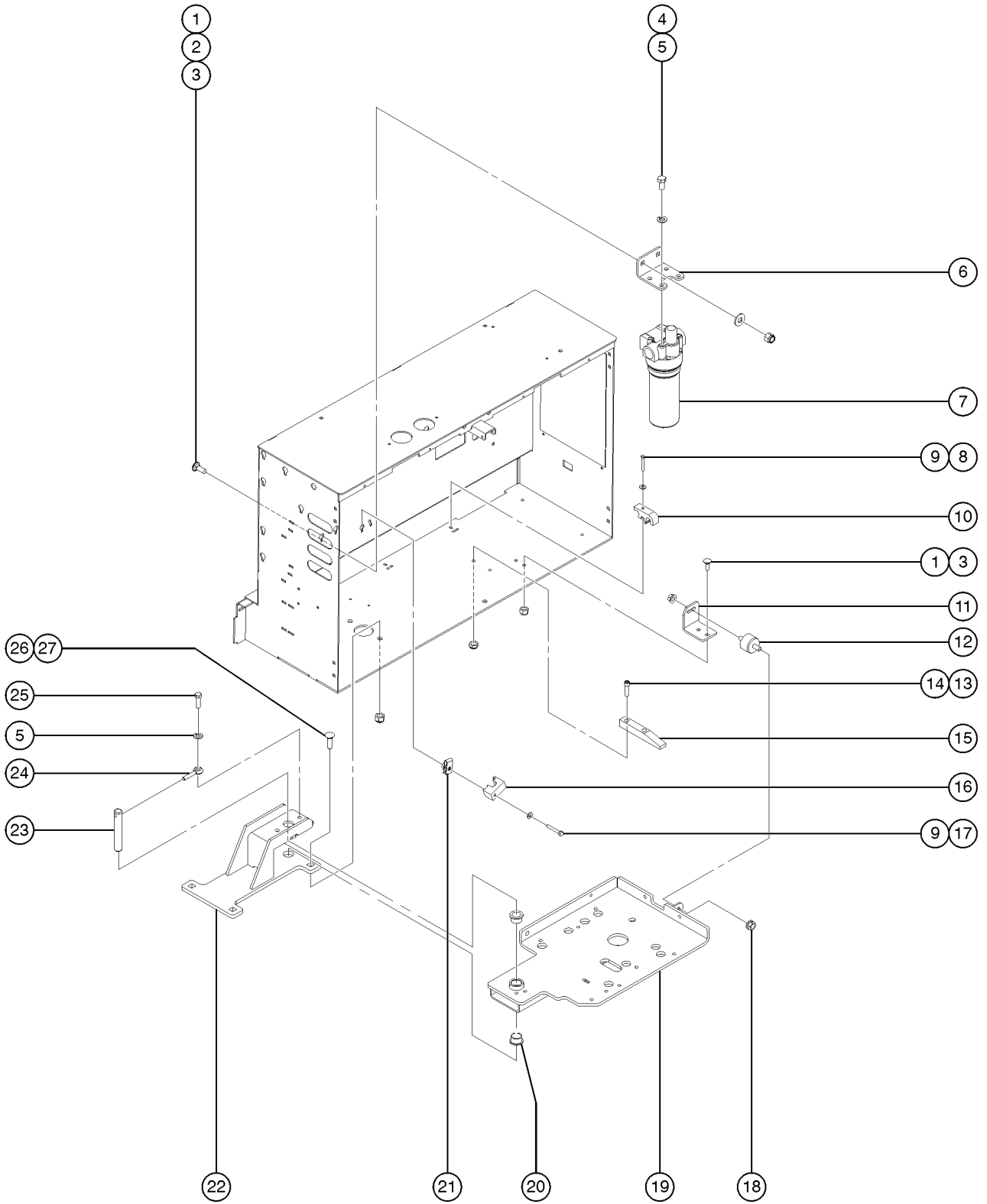
401.1 Engine Tray Components, View 1



## 401.1 Engine Tray Components, View 1

Item	Part No.	Description	Qty.
1	64154	BOLT,CARRIAGE,3/8-16 X1.00,G5.....	2
2	87684	PUSH RETAINER, 3/8" SCREW....	2
3	6097	WASHER,FLAT,USS,3/8",Y.....	2
4	4828	NUT,NYLOCK,3/8-16.....	2
5A	131801	WELDMENT,ENGINE BOX,GS69.... <i>to SN GS9014-3661</i>	1
5B	1253427	WELDMENT,BOX,ENGINE..... <i>from SN GS9014-3662</i>	1
6	6878	BOLT,CARRIAGE,1/4-20 X .75,G2.....	6
7	6091	NUT,NYLOCK,1/4-20.....	6
8	52420	CAP,RAIN,AIR CLEANER, GS68RT** .....	1
9A	148101	FORMING,RAD.INTERFACE,D-1105.1 <i>(for Kubota D-1105 &amp; Perkins 403D-11)</i>	1
9B	148029	FORMING,RAD.INTERFACE,DF-972.1 <i>(for Kubota WG-972)</i>	1
10A	233823	SEAL, RUBBER STRT BULB, 21" .... <i>(for Kubota D-1105 &amp; Perkins 403D-11)</i>	1
10A	233824	SEAL, RUBBER STRT BULB, 9.5" .....	1
		<i>(for Kubota D-1105 &amp; Perkins 403D-11)</i>	
10B	233823	SEAL, RUBBER STRT BULB, 21" .... <i>(for Kubota WG-972)</i>	1
10B	233824	SEAL, RUBBER STRT BULB, 9.5" .....	1
		<i>(for Kubota WG-972)</i>	
11	99097	WELDMENT,RAIN CAP MNT, KUBOTA.....	1
12	36872	BATTERY, 12V,900 CCA.....	1
13	148034	FORMING,BATTERY TIE DOWN....	1
14	45708	HOOK,BATT HOLD DOWN,10".....	2
15	6198	NUT,NYLOCK,1/2-13.....	1
16	96203	BOLT,CARRIAGE,1/2-13X1.75, G5.....	1
17A	233821	SEAL, RUBBER 90D BULB, 14IN.... <i>(for Kubota D-1105 &amp; Perkins 403D-11)</i>	2
17B	233933	SEAL, RUBBER STRT BULB, 15.25" .....	2
		<i>(for Kubota WG-972)</i>	

402.1 Engine Tray Components, View 2

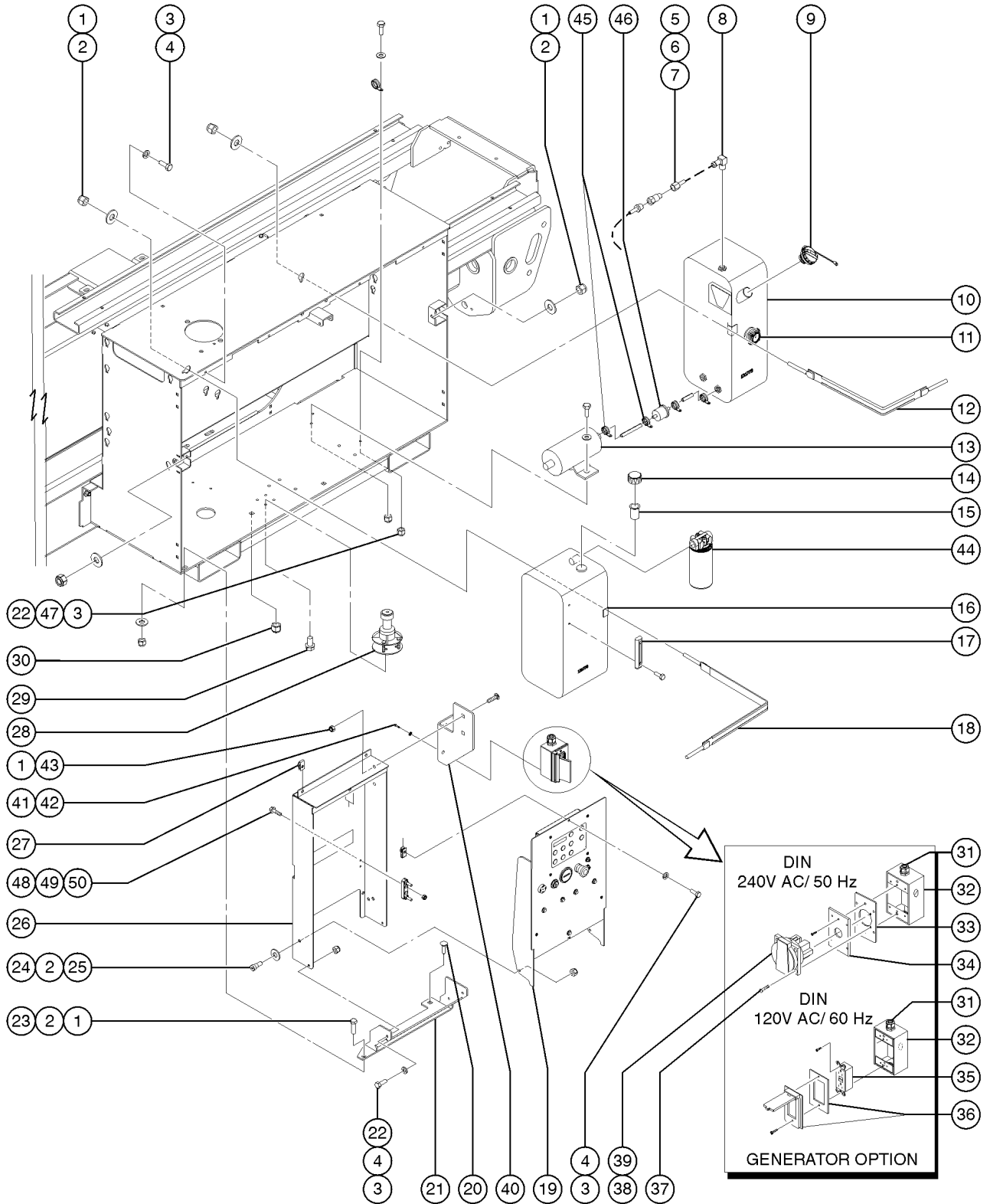




## 402.1 Engine Tray Components, View 2

Item	Part No.	Description	Qty.
1	64154	BOLT,CARRIAGE,3/8-16 X1.00,G5.....	2
2	5397	WASHER,FLAT,USS,5/16",Y.....	2
3	4828	NUT,NYLOCK,3/8-16.....	4
4	8255	SCREW,HHC,3/8-16 X .75.....	4
5	6021	WASHER,LOCK,.375.....	5
6	71202	FORMING,HIGH PRESS FILTER BRKT.....	1
7	60334	FILTER ASSY,HIGH PRESS SAE-12*.....	1
--	60857	FILTER,ELEMENT,BETA(5)=1000	
8	4266	SCREW,HHC,1/4-20 X 2.....	2
9	6638	WASHER,FLAT,USS,1/4"Y	
10	229771	CABLE CLAMP,3 WAY,HDPE.....	2
11	131814	FORMING ENGINE TRAY STOP.....	1
12	75260	ISOLATOR,FLEX-BOLT SANDWICH***.....	1
13	29447	SCREW,SHC,3/8-16 X 1.5.....	2
14	7713	NUT,LP NYLOCK,3/8-16.....	2
15	148008	SLIDE BLOCK,ENGINE TRAY.....	1
16	T112283	CLAMP,1X#8 HOSE.....	2
17	4266	SCREW,HHC,1/4-20 X 2.....	2
18	121422	NUT,HEX,FLG,3/8-16.....	2
19	131765	WELDMENT, ENGINE SWING TRAY.....	1
20	131813	BEARING,BRZ,FL,1.0IDX1.25OD....	2
21	56912	SPRING CLIP,1/4-20,.025-.15X.5....	2
22	131769	WELDMENT,ENGINE PIVOT MOUNT.....	1
23	67387	PIN,1.00DIA X 5.27LG,1HOLE.....	1
24	25284	ROD END,.375 X 2.25***.....	1
25	6019	SCREW,HHC,3/8-16 X 1.25 GRD 5.....	1
26	96203	BOLT,CARRIAGE,1/2-13X1.75, G5.....	4
27	6198	NUT,NYLOCK,1/2-13.....	4

403.1 Hydraulic Tank And Ground Controls Installation



403.1 Hydraulic Tank And Ground Controls Installation

Item	Part No.	Description	Qty.	Item	Part No.	Description	Qty.
1	4828	NUT,NYLOCK,3/8-16.....	5	20	96203	BOLT,CARRIAGE,1/2-13X1.75, G5.....	1
2	6097	WASHER,FLAT,USS,3/8",Y.....	7	21	148243	WELDMENT,GRND CONT,LWR MT.....	1
3	6090	SCREW,HHC,1/4-20 X .75.....	5	22	6091	NUT,NYLOCK,1/4-20.....	2
4	6356	WASHER,LOCK,.25.....	5	23	6019	SCREW,HHC,3/8-16 X 1.25 GRD 5.....	1
5	2347	CONNECTOR,B,1/8 FPT 3/16 HS... <i>gasoline models</i>	1	24	T115706	BOLT,SHLDR,3/8X5/16X5/16-18S/S.2	
6A	226960	VALVE,2 WAY,2.5PSI..... <i>gasoline models; from SN 101 to 6027</i>	1	25	6782	NUT,NYLOCK,5/16-18.....	2
6B	1261278	VALVE,2WAY ,1PSI <i>from SN 6028</i>		26	148018	WELDMENT,MOUNT,LCP,GS69.....	1
7	231557	CONN,BR, 1/8" MNPT-3/16" HS..... <i>gasoline models</i>	1	27	56912	SPRING CLIP,1/4-20,.025-.15X.5.....	3
8	34211	ELBOW,90DEG.1/4 MPT-5/16 BARB.....	1	28A	78674	LEVEL SENSOR,LS60,BLUE,2X3**..... <i>(models without outriggers)</i>	1
9	119918	CAP,FUEL,GASOLINE 3.5PSI <i>gasoline models</i>		28B	71484	SENSOR,LEVEL, ANALOG..... <i>(models with outriggers)</i>	1
9	T112457	CAP,FUEL,DIESEL,SAE-J NECK..... <i>diesel models</i>	1	29	230850	SCREW,WASH HEAD, 20-9X5/8.....	4
10	131779	TANK,GAS,10 GAL.....	1	30	6198	NUT,NYLOCK,1/2-13.....	1
11	148389	GUAGE,FUEL,GS69.....	1	31	7056	CONN,SQUEEZE,1/2NPT .38-.50,SM.....	2
--	146550	GASKET, FUEL LEVEL GAUGE, GAS				<i>(generator option)</i>	
--	38979	SCREW,PHM,1/4-20X.5 PHIL		32	10775	T-BOX,2.75 X 4.5 X 2.0..... <i>(generator option)</i>	2
12	T106787	TANK STRAP,FUEL,BOLT STYLE,69.....	1	33	66355	GASKET, UK & DIN PWR. TO PLAT.....	1
--	31658	EXTRUSION,RUBBER BUMPER STRIP				<i>(generator option)</i>	
13		Ref., FUEL HOSE <i>refer to 302.1, 306.1 or 309.1</i>		34	96236	PLATE,AC ADAPTER,DIN/UK***..... <i>(generator option)</i>	1
13	23167	PUMP,FUEL,WG750B,IN-LINE..... <i>gasoline models</i>	1	35	13585	OUTLET,110V GFCI***..... <i>(generator option)</i>	1
--	21465	CLAMP,HOSE,SIZE .25 TO .63..... <i>(sold seperately)</i>	8	36	74006	COVER,GFCI,HORIZONTAL,WEATHER.1 <i>(generator option) (includes gasket and mounting fasteners)</i>	
14	131658	CAP,HYDRAULIC TANK,GS68/84/90.....	1	37	229740	SCREW,PPH,8-32X.50,ZINC,TRS <i>(generator option)</i>	
15	31506	STRAINER,FILLER NECK.....	1	38	66353	RECEPTACLE, DIN, 220V 50A..... <i>(generator option)</i>	1
16	131778	TANK,HYDRAULIC,18 GALLON***.....	1	39	63375	SCREW,FHM,6-32 X .75 <i>(generator option)</i>	
17	215229	GAUGE,HYDRAULIC TANK T/L VL.....	1	40	235991	FORMING,GENERATOR,GFCI,GS69.1 <i>(generator option)</i>	
18	T106782	TANK STRAP,BOLT STYLE,HYD,GS69.....	1	41	57075	SCREW,PHIL,8-32X.50,SELF TAP <i>(generator option)</i>	
--	31658	EXTRUSION,RUBBER BUMPER STRIP		42	44936	WASHER,STAR,EXTERNAL,#8 <i>(generator option)</i>	
19		Ref., GROUND CONTROLS..... <i>(refer to 405.1)</i>	1				



### 403.1 Hydraulic Tank And Ground Controls Installation (continued)

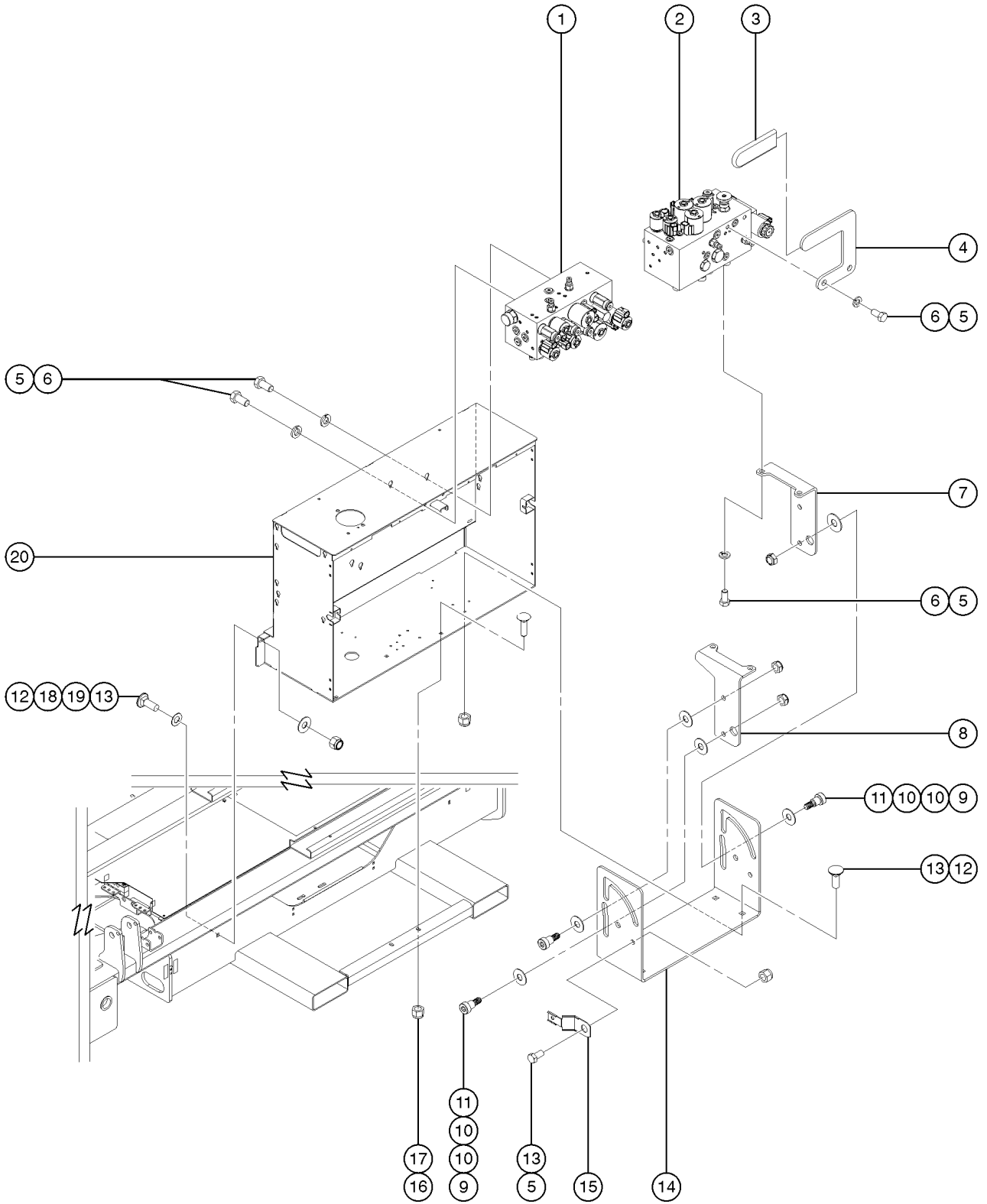
Item	Part No.	Description	Qty.
43	64154	BOLT,CARRIAGE,3/8-16 X1.00,G5 <i>(generator option)</i>	
44	87070	FILTER ASSY,SAE 12 NO INDICAT*.....1	1
--	131323	FILTER ELEMENT,10 MICRON	
45	54123	CLAMP,HOSE,1 EAR, 5/8.....6 <i>gasoline models</i>	6
46	23168	FILTER,FUEL,IN-LINE**.....1 <i>gasoline models</i>	1
47	18666	CLAMP,1.00,#16 X 1/4,RUB CUSH.....1 <i>gasoline models</i>	1
48	6873	SCREW,FHM,10-32 X 1	
49	66717	FUSE BLOCK, ANN & ANL FUSE	
50	6178	NUT,NYLOCK,10-32	

---

403.1 Hydraulic Tank And Ground Controls Installation  
(continued)

***This Page Intentionally Left Blank***

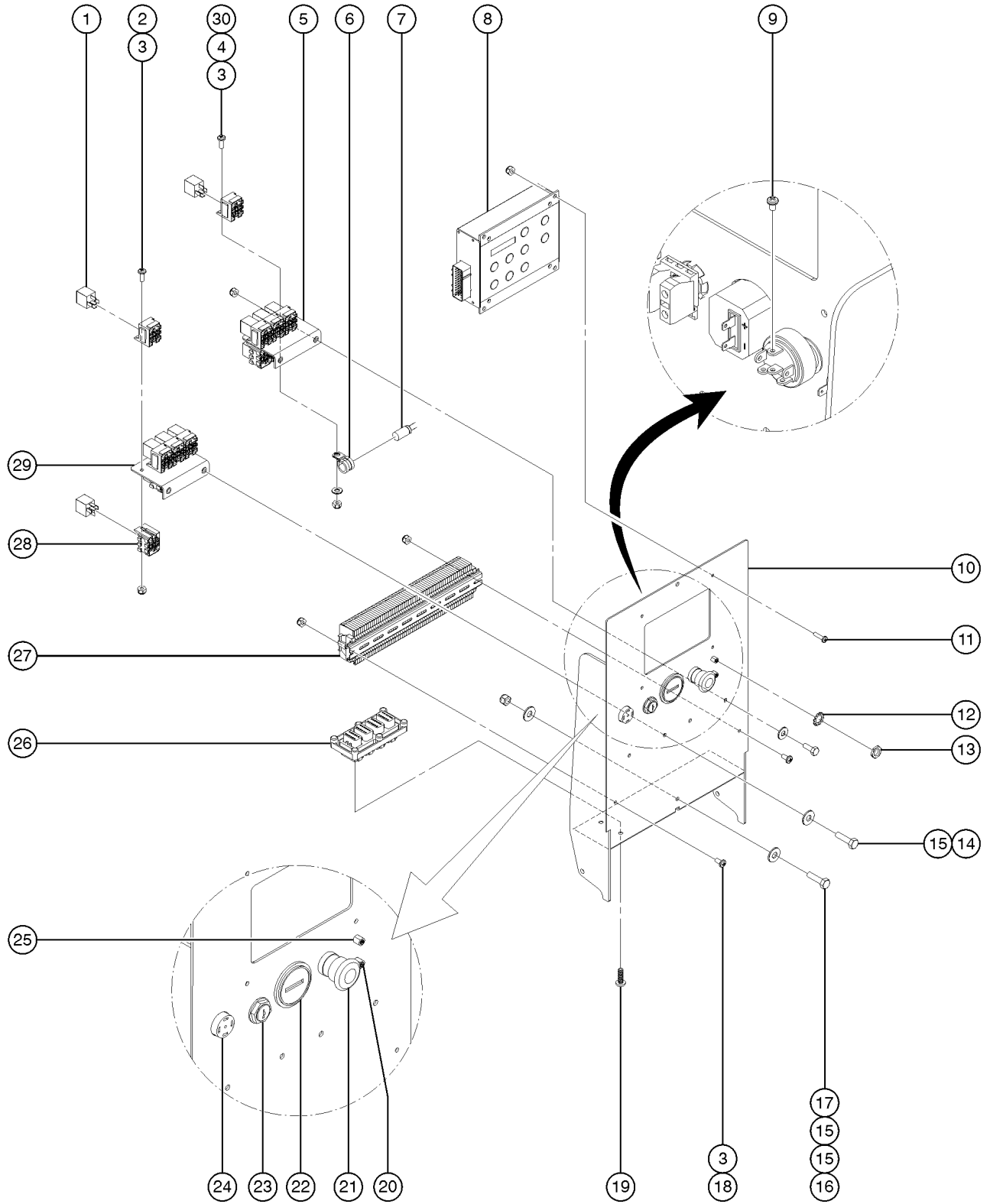
404.1 Hydraulic Tray Components



## 404.1 Hydraulic Tray Components

Item	Part No.	Description	Qty.
1		Ref. Function Manifold <i>(refer to 701.1)</i>	
2		Ref. Traction Manifold <i>(refer to 702.1)</i>	
3	44733	HANDLE COVER,PLASTIC.....	1
4	226089	MANIFOLD HANDLE,GS69.....	1
5	8255	SCREW,HHC,3/8-16 X .75	
6	6021	WASHER,LOCK,,375	
7	T111768	FORMING,TRACT MAN MOUNT,RIGHT.....	1
8	T111769	FORMING,TRACT MAN MOUNT,LEFT.....	1
9	11335	SCREW,SHS,3/8-16 X .5	
10	87075	WASHER,NYLON .50 X 1.25 X .063	
11	7713	NUT,LP NYLOCK,3/8-16	
12	64154	BOLT,CARRIAGE,3/8-16 X1.00,G5	
13	4828	NUT,NYLOCK,3/8-16	
14	T111767	FORMING,TRACTION MANIFOLD BASE.....	1
15	99346	CLIP, METAL MOUNTING	
16	6198	NUT,NYLOCK,1/2-13	
17	96203	BOLT,CARRIAGE,1/2-13X1.75, G5	
18	87684	PUSH RETAINER, 3/8" SCREW	
19	6097	WASHER,FLAT,USS,3/8",Y	
20A	131800	WLDMT, HYD BOX GS69..... <i>to SN GS9014-3661</i>	1
20B	1253426	WELDMENT,BOX,HYD..... <i>from SN GS9014-3662</i>	1

405.1 Ground Controls



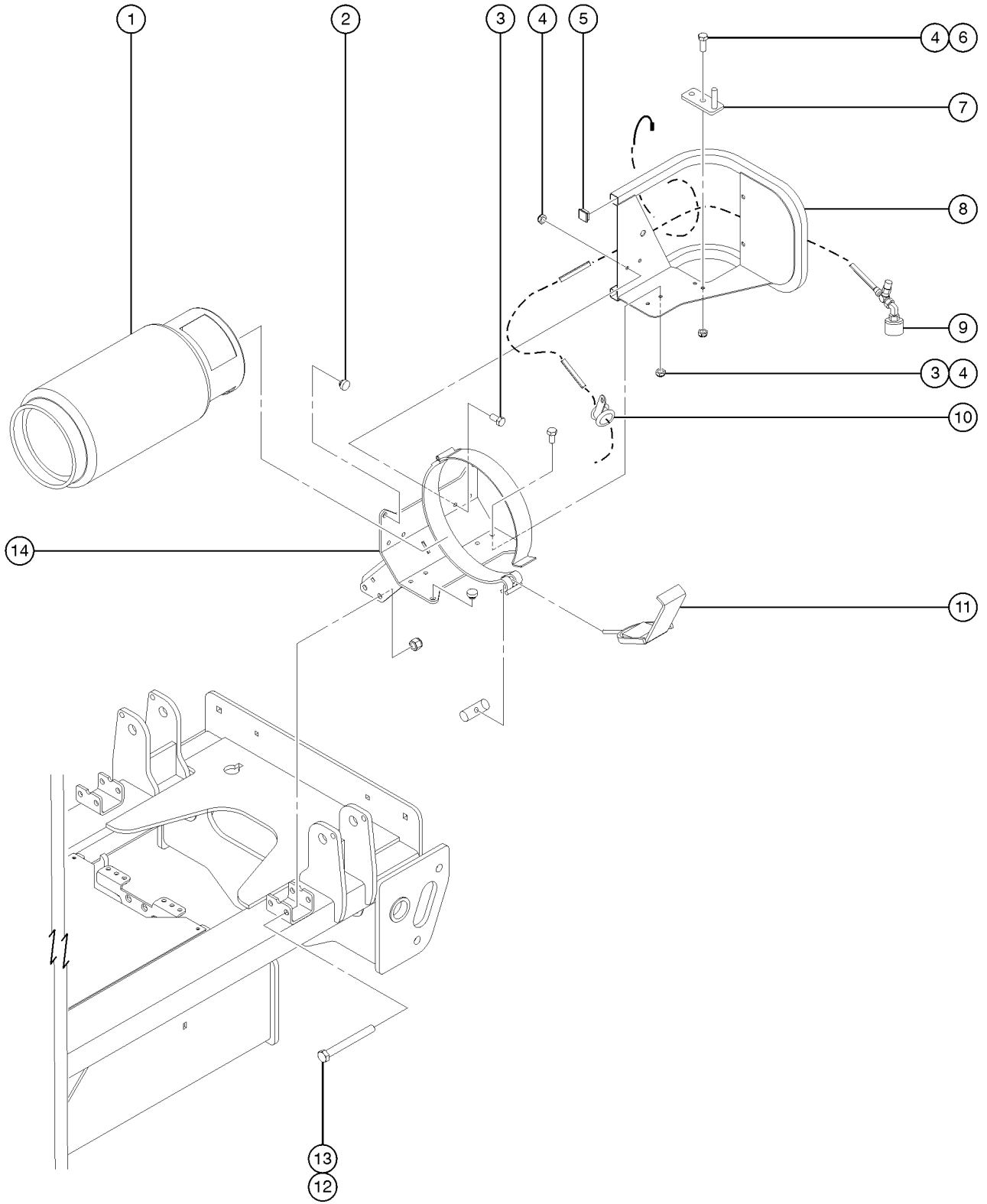


405.1 Ground Controls

Item	Part No.	Description	Qty.	Item	Part No.	Description	Qty.
--	13083	DIODE,2 AMP.....	4	--	66817	BASE WITH 1 NC CONTACT, E-STOP	
--	229291	RESISTOR, 620 OHM 1/4 WATT.....	1	--	66818	CONTACT,NC	
--	229435	RESISTOR, 1000 OHM 1/4 WATT.....	2	22	19506	HOUR METER,10-80 VOLTS*** .....	1
--	232845	KIT,BEACON RESISTOR,GS69.....	1	23	96008-S	KEYSWITCH,3 POS.W/KEYS*** .....	1
--	67504	FUSE HOLDER,ATC 3-30 AMPS.....	1	--	37947	KEYS,10 PACK***	
--	69864	FUSE,5 AMP,ATC.....	1	--	83093	KEY SINGLE***	
1	34052	RELAY,SPDT,12V(AUTO) PLUG IN** .....	16	--	83131	KEYSWITCH,3 POS W/KEYS,LOCKING	
2	49819	SCREW,PHILLIPS,PHM,10-32 X .5.....	7	24	39540	ALARM,STEADY TONE*** .....	1
3	6178	NUT,NYLOCK,10-32.....	10	25	147091	CIRCUIT BREAKER, 20A.....	1
4	6146	WASHER,FLAT,MS,#10,Y.....	1	26	73736	CONN,RECEP 48 WAY,4 X 12.....	2
5	54534	ANGLE,RELAY MNT,W/NUTSERTS,PNT.....	2	27	T108147	TERMINAL RAIL,GS69.....	1
6	45454	CLAMP,RUB CUSH,0.75,#12 X 3/8* .....	1	28	34053	ASSY,RELAY SOCKET, AUTO.....	13
7A	99089	CAPACITOR,4700MFD 25V.....	1	29	T106699	BRACKET,RELAY MOUNT W/INSERTS.....	1
7B	1255881	CAPACITOR,1000UF,25V..... <i>replaced 99089 from SN GS6914-3738</i>	1			<i>bracket only; relay sold separately</i>	
8	231084	ECU,GS69 IC, GEN 2.....	1	30	49816	SCREW,PHILLIPS,PHM,10-32 X .75.....	1
9	96010	SCREW,PHILLIPS,PHM,8-32 X.25** .....	5				
10	235182	LOWER CONTROL PANEL ASSY,GS69.....	1				
--	148007	WELDMENT,LCP,GS69..... <i>(decals not included, refer to section 100)</i>	1				
11	49816	SCREW,PHILLIPS,PHM,10-32 X .75.....	4				
12	6700	WASHER,STAR,EXTERNAL,.375....	2				
13	122994	NICKEL PLATED JAM NUT.....	2				
14	6090	SCREW,HHC,1/4-20 X .75.....	4				
15	6638	WASHER,FLAT,USS,1/4"Y.....	6				
16	6888	SCREW,HHC,1/4-20 X 1.....	1				
17	6091	NUT,NYLOCK,1/4-20.....	1				
18	49818	SCREW,PHILLIPS,PHM,10-32 X .38.....	2				
19	73803	SCREW,SHM,PHP, #12 X .75.....	8				
20	147090	CIRCUIT BREAKER, 15A.....	1				
21	66812	BUTTON,PUSH,RED MUSHROOM HEAD.....	1				



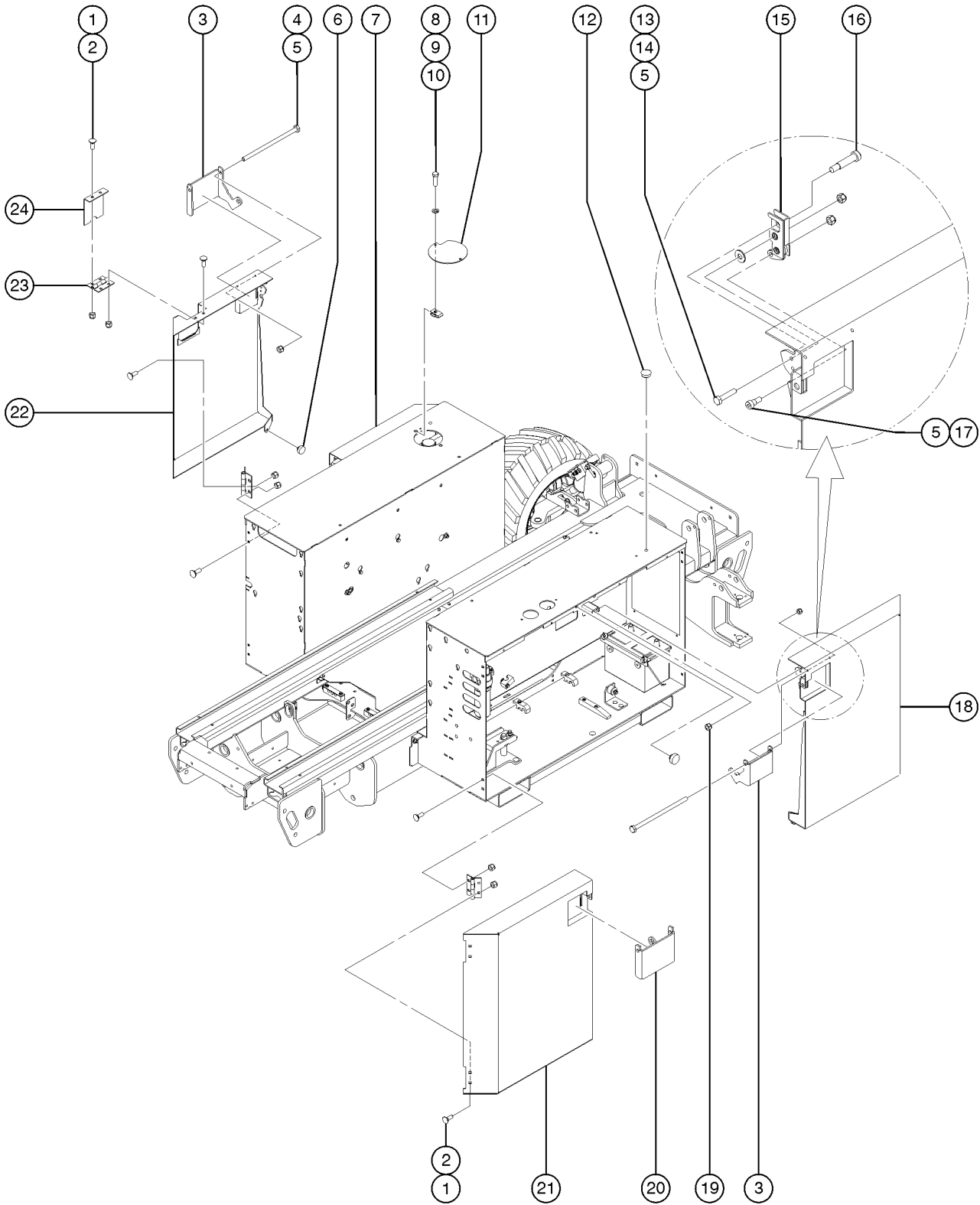
406.1 LPG Tank Installation



## 406.1 LPG Tank Installation

Item	Part No.	Description	Qty.
1	53605	TANK, LP, 7 GAL.....	1
2	47230	BUMPER,RUBBER.....	4
3	8255	SCREW,HHC,3/8-16 X .75	
4	7713	NUT,LP NYLOCK,3/8-16	
5	78038	CAP, TUBE, SQ,1.25 X .083.....	2
6	6175	SCREW,HHC,3/8-16 X 1	
7	51451	WELDMENT,LP ALIGNMENT PIN*** .....	1
8	T109736	WELDMENT,LP GUARD,RIGHT.....	1
9		Ref., HOSE ASSEMBLY..... <i>refer to 302.1</i>	1
10	45454	CLAMP,RUB CUSH,0.75,#12 X 3/8* .....	1
11	49000	L.P.TANK LATCH.....	1
12	13854	SCREW,HHC,1/2-13 X 4.5,GRD.8...2	
13	6198	NUT,NYLOCK,1/2-13	
14	148105	WELDMENT,LP CARRIER MOUNT.....	1

407.1 Chassis Cover Installation (to SN GS6914-3661)

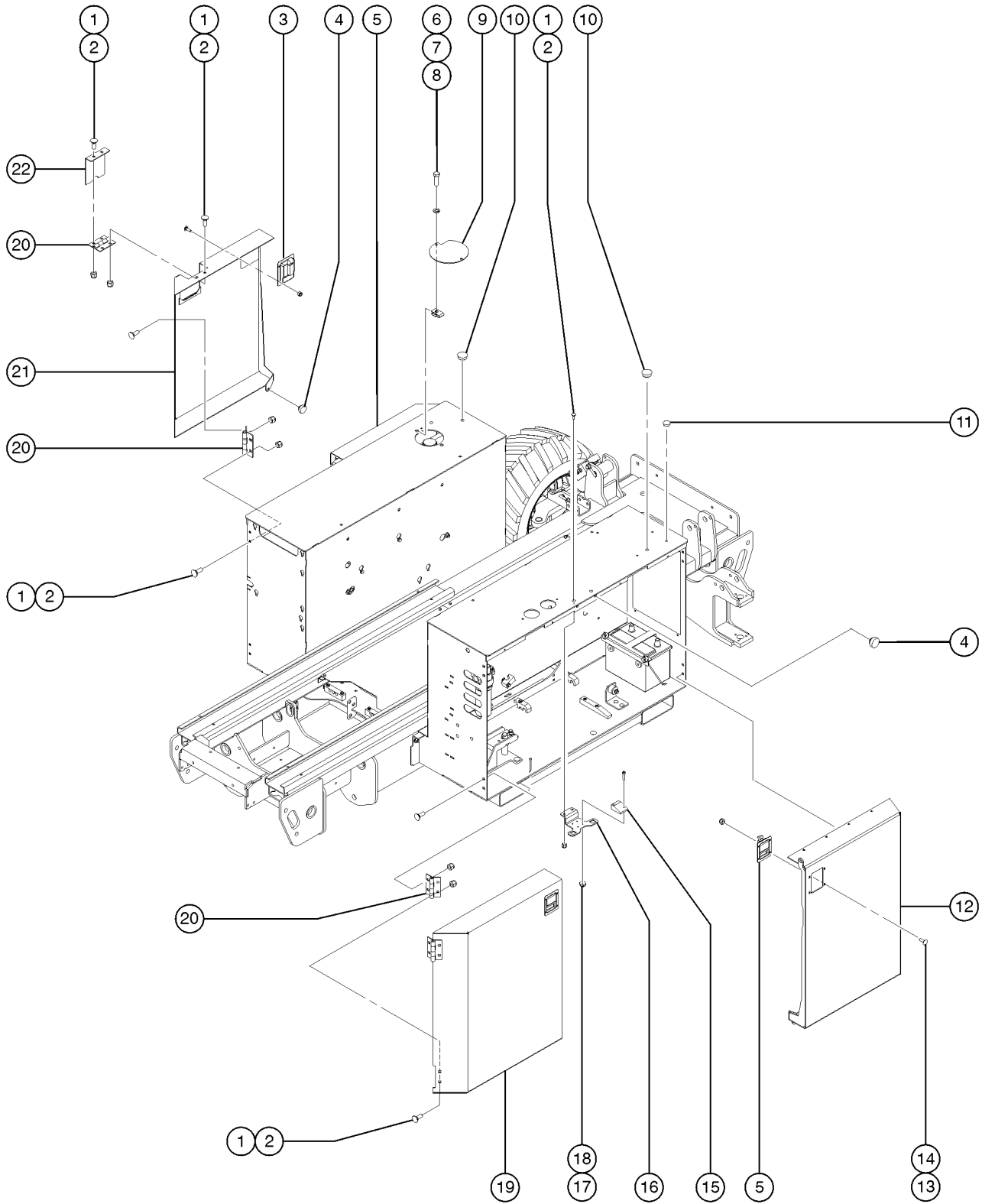


407.1 Chassis Cover Installation (to SN GS6914-3661)

Item	Part No.	Description	Qty.	Item	Part No.	Description	Qty.
1	64154	BOLT,CARRIAGE,3/8-16 X1.00,G5		--	148226	WLDT,BOX DOOR,ENG,LT,GS68....1 <i>(decals not included, refer to section 100)</i>	
2	4828	NUT,NYLOCK,3/8-16		--	235084	COVER ASSY,ENGINE SIDE,LT,SY <i>(Asia &amp; S. America models with symbol decals)</i>	
3	131926	FORMING,DOOR LATCH HANDLE,RT.....2		--	235086	COVER ASSY,ENGINE SIDE,LT,SY,CE <i>(CE models with symbol decals)</i>	
4	10744	SCREW,HHC,1/4-20 X 5		22	235083	COVER ASSY,CNTRLS SIDE,RT,WO <i>(ANSI, CSA &amp; Australia models with word decals)</i>	
5	6889	NUT,LP NYLOCK,1/4-20		--	148461	WELDMENT,DOOR,HYD.BOX,GAS.1 <i>(decals not included, refer to section 100)</i>	
6	43392	BUMPER,BATTERY BOX & RAILS.....6		--	235088	COVER ASSY,CNTRLS SIDE,RT,SY <i>(Asia &amp; S. America models with symbol decals)</i>	
7	235082	COVER ASSY,CNTRLS SIDE,LT,WO <i>(ANSI, CSA &amp; Australia models with word decals)</i>		23	55517	HINGE, GSRT90 BOX.....5	
--	131780	WELDMENT,BOX DOOR,LEFT,WINDOW.....1 <i>(decals not included, refer to section 100)</i>		24	148548	FORMING,GAS DOOR.....1	
--	235087	COVER ASSY,CNTRLS SIDE,LT,SY <i>(Asia, S. America and CE models with symbol decals)</i>					
8	6019	SCREW,HHC,3/8-16 X 1.25 GRD 5					
9	6021	WASHER,LOCK,.375					
10	29868	SPRING CLIP,3/8-16.....2					
11	131873	PLATE,HYD TANK FILLER COVER.....1					
12	45384	PLUG,NYLON .50 BLACK DOMED.....2					
13	161805	SCREW,HHC,1/4-20 X 1.25, TAP					
14	6638	WASHER,FLAT,USS,1/4"Y					
15	105319	LATCH,BATT/HYDR TRAY***.....4					
16	131928	BOLT,SHLDR,3/8X1.25,5/16-18S/S					
17	148291	BOLT,SHLDR,5/16X1/4X1/14-20S/S					
18	235081	COVER ASSY,ENGINE SIDE,RT,WO <i>(ANSI, CSA &amp; Australia models with word decals)</i>					
--	131790	WELDMENT,BOX DOOR,RT.....1 <i>(Asia &amp; S. America models with symbol decals)</i>					
--	235085	COVER ASSY,ENGINESIDE,RT,SY <i>(Asia, S. America and CE models with symbol decals)</i>					
19	6782	NUT,NYLOCK,5/16-18					
20	131929	FORMING,DOOR LATCH HANDLE,LT.....2					
21	235080	COVER ASSY,ENGINE SIDE,LT,WO <i>(ANSI, CSA &amp; Australia models with word decals)</i>					



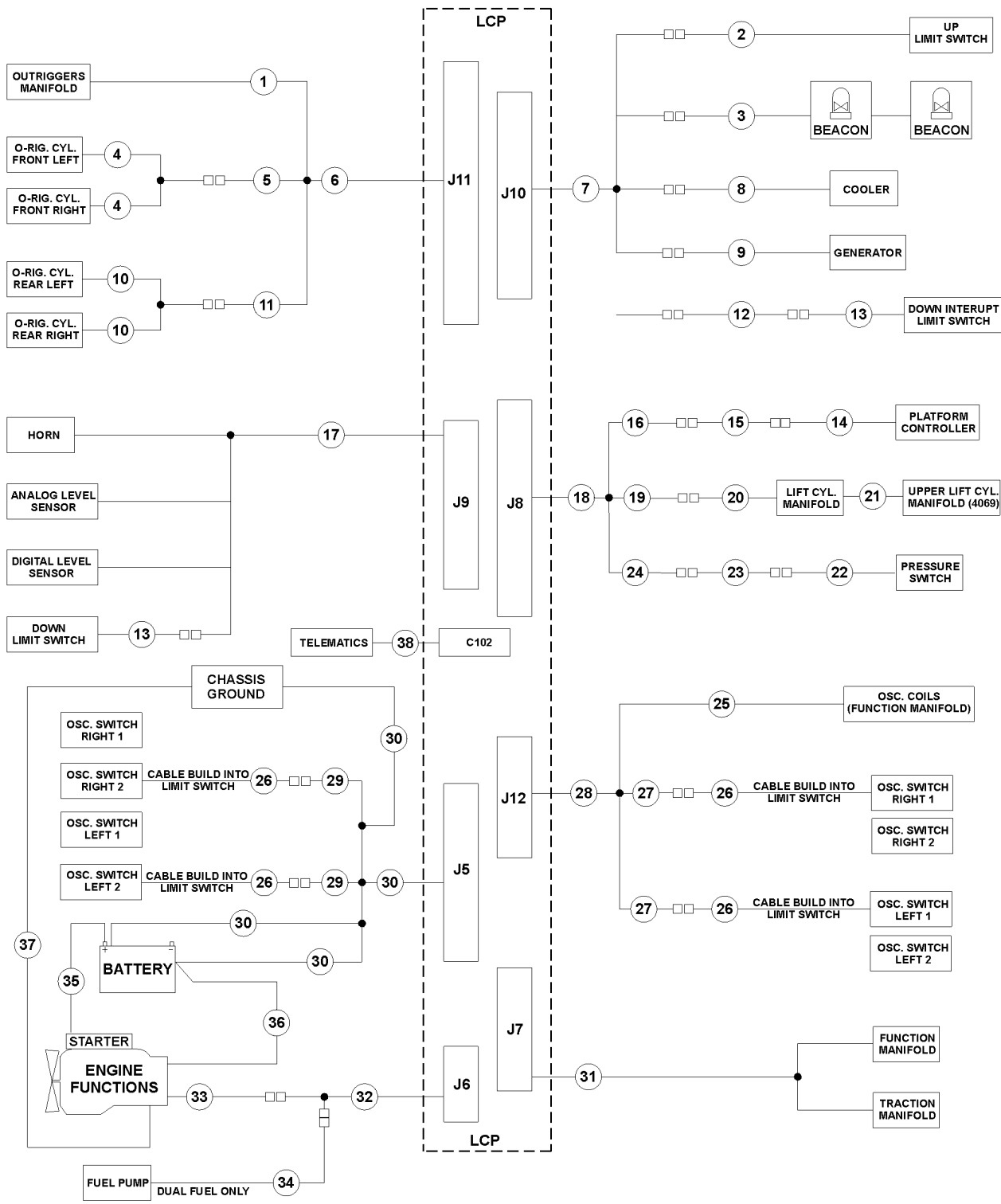
407.2 Chassis Cover Installation (from SN GS6914-3662)



## 407.2 Chassis Cover Installation (from SN GS6914-3662)

Item	Part No.	Description	Qty.
1	64154	BOLT,CARRIAGE,3/8-16 X1.00,G5	
2	4828	NUT,NYLOCK,3/8-16	
3	55675	LATCH, LRG PADDLE HANDLE GS90	
4	43392	BUMPER,BATTERY BOX & RAILS.....	8
5	1253424	WELDMENT,BOX DOOR,LT,WINDOW..... <i>(decals not included, refer to section 100)</i>	1
6	6019	SCREW,HHC,3/8-16 X 1.25 GRD 5	
7	6021	WASHER,LOCK,.375	
8	29868	SPRING CLIP,3/8-16	
9	131873	PLATE,HYD TANK FILLER COVER.....	1
10	45384	PLUG,NYLON .50 BLACK DOMED.....	2
11	81329	PLUG,ALARM BEACON HOLE.....	4
12	1253422	WELDMENT,BOX DOOR,RT..... <i>(decals not included, refer to section 100)</i>	1
13	6878	BOLT,CARRIAGE,1/4-20 X .75,G2	
14	6091	NUT,NYLOCK,1/4-20	
15	1253479	SLIDE BLOCK,DOOR WEDGE,HDPE..... <i>1 of 2 shown</i>	2
16	1253349	FORMING, LATCH CATCH..... <i>1 of 2 shown</i>	2
17	14392	NUT,LP NYLOCK,10-32	
18	219112	SCREW,SHC,10-32 X .75	
19	1253428	WELDMENT,BOX,BATTERY,DC..... <i>(decals not included, refer to section 100)</i>	1
20	55517	HINGE, GSRT90 BOX.....	9
21	1253425	WELDMENT,BOX DOOR,RT,FUEL..... <i>(decals not included, refer to section 100)</i>	1
22	1254427	FORMING,GAS DOOR.....	1

408.1 Electrical Wiring and Power Cables



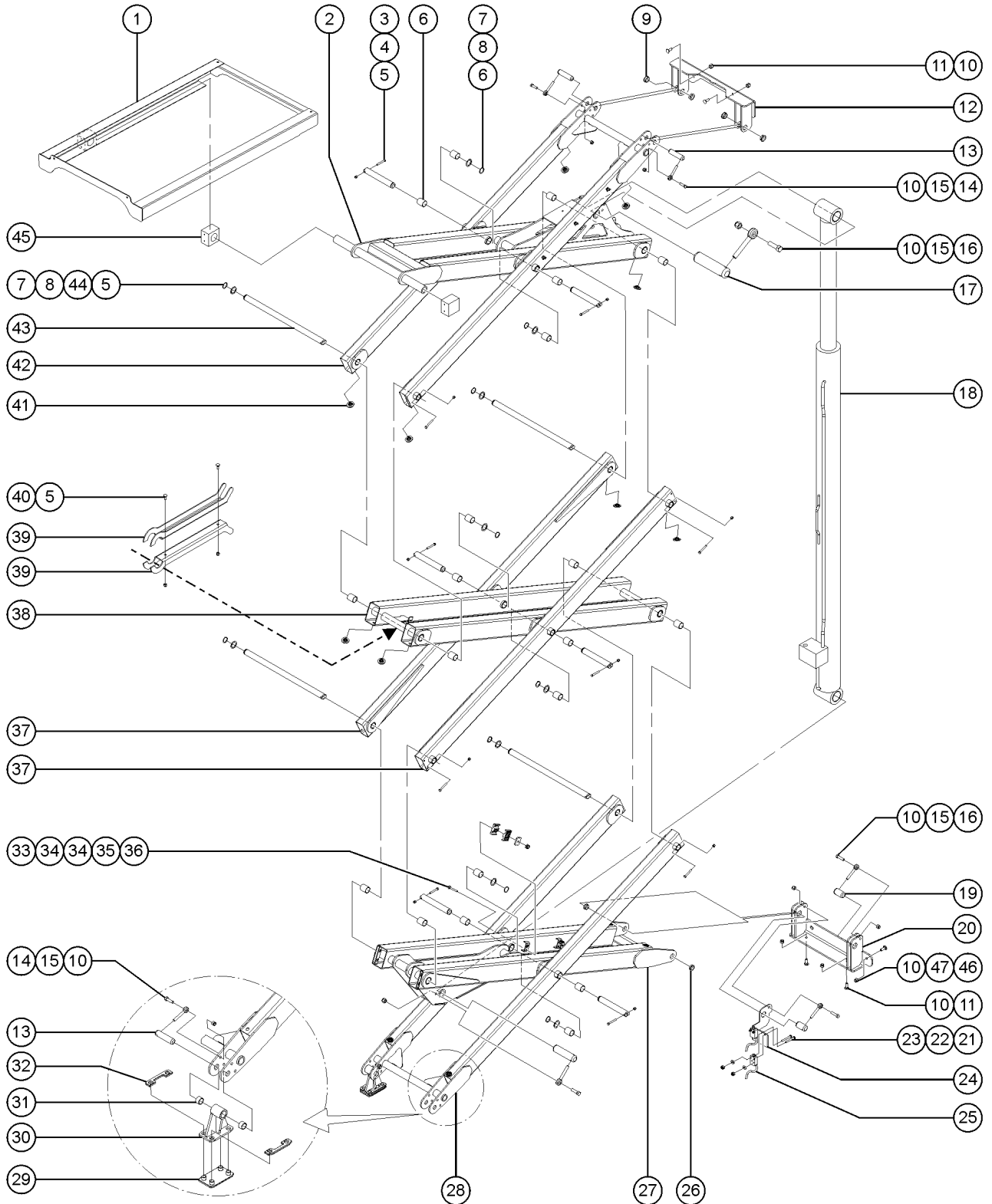


408.1 Electrical Wiring and Power Cables

Item	Part No.	Description	Qty.	Item	Part No.	Description	Qty.
1	148068	HARNESS,O/R MNFLD,GS69.....1	1	26	148414	HARNESS,OSC SWITCH REAR.....1	1
2A	T114634	HARNESS,UP LIMIT SWITCH.....1 <i>to SN 1755</i>	1	27	148210	ASSY,LIMITSWITCH,OSC.AXLE,GS69.1	1
2B	160566	HARNESS, UP LIMIT SWITCH.....1 <i>from SN 1756</i>	1	28	T109747	HARNESS,OSCILLATE,J12,GS69...1	1
3	148076	HARNESS,BEACON,GS69.....1	1	29	148077	HARNESS,OSC LIMIT SWITCH 2...2	2
4	148090	HARNESS,OUTRIGGERS,FRNT,GS69.1	1	30A	148075	HARNESS,BATTERY.....1 <i>(to SN GS6913-2102)</i>	1
5	148069	CABLE,OUTRIGGER,FRNT,GS69...1	1	30B	161214	HARNESS, BATTERY, J5.....1 <i>(from SN GS6913-2103)</i>	1
6A	T109746	HARNESS,OUTRIGGER,J1,GS69..1 <i>(includes items 1, 5, and 11) (to SN GS6913-2102)</i>	1	31	148089	CABLE,FUNCTION MANIFOLD,GS69.....1	1
6B	161213	HARNESS, OR HARNESS, J11.....1 <i>(includes items 1, 5, and 11) (from SN GS6913-2103)</i>	1	32	148093	HARNESS,ENGINE,IC.....1	1
7	T109743	HARNESS,OPTIONS,J10,GS69.....1	1	33A	148072	HARNESS,ENGINE,DIESEL.....1 <i>(Kubota D1105 Engine)</i>	1
8	148080	HARNESS,OIL COOLER,GS69.....1	1	33B	148073	HARNESS, ENGINE, DUAL FUEL...1 <i>(Kubota WG-972-E3 Engine)</i>	1
9	148081	HARNESS,GENERATOR,GS69.....1	1	33C	148074	HARNESS, ENGINE, PERKINS.....1 <i>(Perkins 403D-11 Engine)</i>	1
10	148091	HARNESS,OUTRIGGERS,REAR,GS69.1	1	34	148078	HARNESS,FUEL PUMP,DUAL FUEL.....1	1
11	148070	CABLE,OUTRIGGER,REAR,GS69..1	1	35	160905	CABLE ASSY, B+ TO STRT, GS69IC.....1	1
12	T109750	CABLE,DWN INT LIMIT SWITCH....1	1	36	160906	CABLE ASSY, ENG TO B-, GS69IC.....1	1
13	148092	HARNESS,DOWN LIMIT SENSOR,GS69.....1	1	37	160907	CBLE ASSY, ENG. TO GRD, GS69IC.....1	1
14A	148082	CABLE,CONTROL,GS2669.....1 <i>GS-2669</i>	1	38	1256130	TELEMATICS LEADS, GS69RT.....1	1
14B	148083	CABLE,CONTROL,BASE,GS3369..1 <i>GS-3369</i>	1				
14C	148084	CABLE,CONTROL,BASE,GS4069..1 <i>GS-4069</i>	1				
15	148079	CABLE,CONTROL JUMPER,GS69.....1	1				
16	148206	CABLE,CONTROL,BASE,GS69.....1	1				
17	148071	HARNESS,LEVEL SENSOR,GS69.....2	2				
18	T109738	HARNESS,LINKS,J8.....2	2				
19	148094	HARNESS,DOWN COIL.....1	1				
20	148086	CABLE,DOWN COILS,GS3369.....1 <i>GS-2669 and GS-3369</i>	1				
21	148087	CABLE,DOWN COILS,GS4069.....1 <i>GS-4069</i>	1				
22	104571	HARNESS,PRESS.SWITCH.....1	1				
23	T109749	CABLE,PRESSURE SWITCH.....1	1				
24	T109748	HARNESS,PRESSURE SWITCH....1	1				
25	148088	HARNESS,OSC.MNFLD,GS69.....1	1				



501.1 Scissor Components, GS-2669 RT

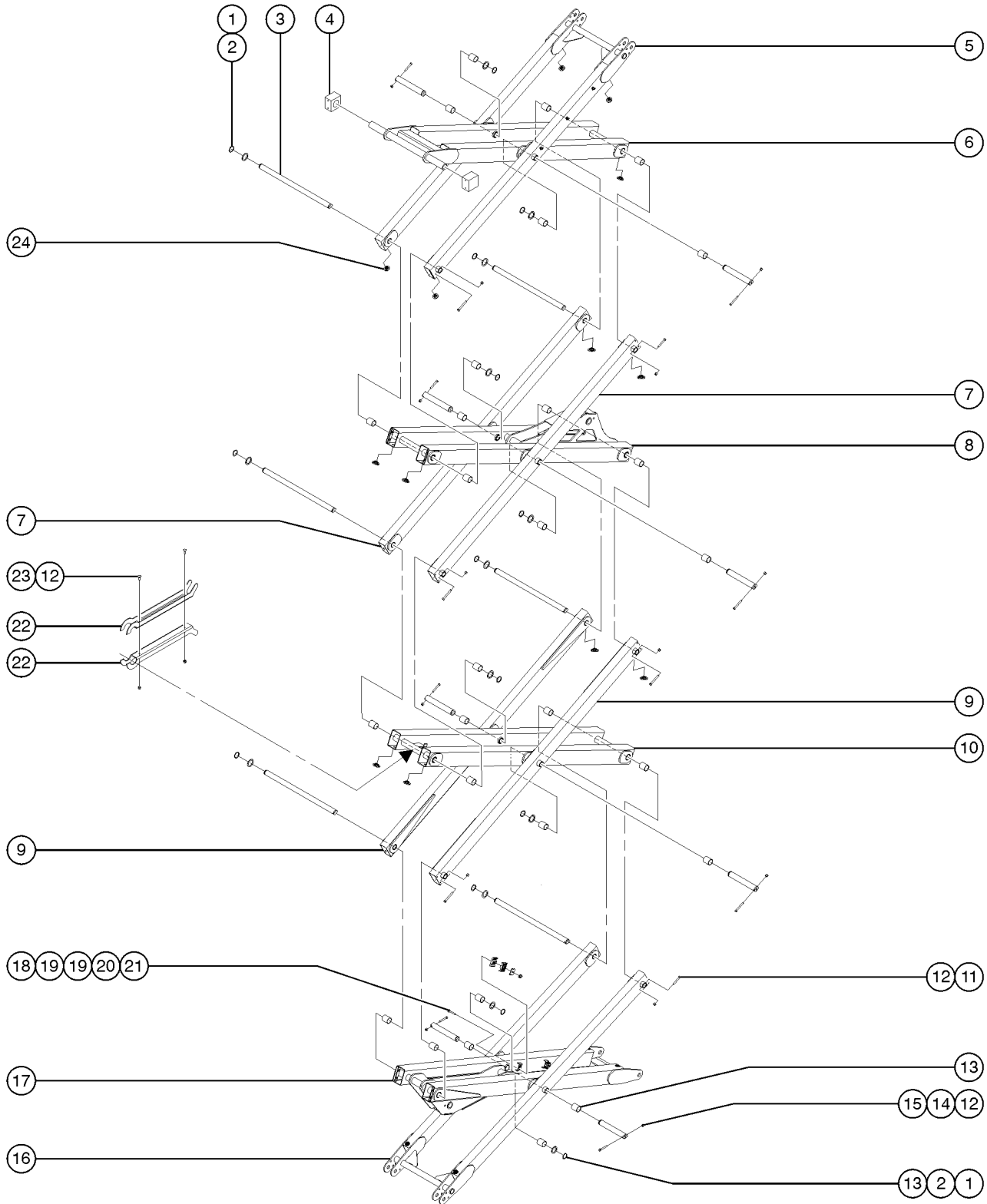


501.1 Scissor Components, GS-2669 RT

Item	Part No.	Description	Qty.	Item	Part No.	Description	Qty.
1	131874	WLDMNT,PLATFORM SPACER, 2669.....	1	32	112100	WEAR PAD,SLIDER FOOT,UPPER.....	4
2	112127	ASSY,LINK,INNER #3, 2669..... <i>(includes item #6)</i>	1	33	73464	BOLT,CARRIAGE,1/4-20 X 1.75,G2.....	4
3	14033	SCREW,HHC,3/8-16 X 2.75.....	6	34	78736	CLAMP,2 HOSE,PLASTIC,5/8.....	8
4	148433	PIN,CENTER LINK,GS69.....	9	35	228103	PLATE,BACKING,LINKS.....	4
5	4828	NUT,NYLOCK,3/8-16.....	12	36	6889	NUT,LP NYLOCK,1/4-20.....	4
6	T108138	BEARING,1.50IDX1.75ODX2.00L..	20	37	235092	ARM, 2ND OUTER,W/BEARINGS,WO..... <i>(ANSI, CSA &amp; Australia models with word decals)</i>	2
7	18383	SNAP RING,EXTERNAL,1.5 DIA***.....	10	--	235093	ARM, 2ND OUTER,W/BEARINGS,SY..... <i>(Asia, S. America and CE models with symbol decals)</i>	2
8	T108139	WASHER,FLAT,1.510X2.125.....	10	--	T108137	WLDMT,LINK,OUTER,#2..... <i>(decals not included, refer to section 100)</i>	1
9	112375	BEARING,FL,1.25IDX1.50ODX.44LG.4		38	235094	ARM,2ND INNER ASSY,W/BEARINGS..... <i>(models with word &amp; symbol decals)</i>	1
10	6198	NUT,NYLOCK,1/2-13.....	14	--	112124	ASSY,LINK,INNER #2..... <i>(includes item #6)</i>	1
11	96977	BOLT,CARRIAGE,1/2-13X1.50,GR5.6		39	112195	FORMING, SAFETY ARM.....	2
12	112229	WELDMENT,PLATFORM PIVOT,2669.....	1	40	64154	BOLT,CARRIAGE,3/8-16 X1.00,G5.....	2
13	112115	PIN,1.25 DIA X 5.00 LG,1 HOLE....	4	41	T109734	BUMPER,LINKS,GS69.....	16
14	22788	SCREW,HHC,1/2-13 X 1.75.....	4	42	112076	WELDMENT,LINK,TOP OUTER,GS69.....	1
15	30418	ROD END,.50 X 4.....	8	43	148434	PIN,END LINK,GS69.....	4
16	6096	SCREW,HHC,1/2-13 X 2 GR5.....	4	44	6326	SCREW,HHC,3/8-16 X 3.....	4
17	112121	PIN, CYLINDER, LONG.....	2	45	112708	SLIDER BLOCK, GS69.....	2
18		Ref. Lift Cylinders <i>(refer to 705.1)</i>		46	96203	BOLT,CARRIAGE,1/2-13X1.75, G5	
19	112116	PIN,1.50 DIA X 2.75 LG,1 HOLE....	2	47	6095	WASHER,FLAT,USS,1/2",Y	
20	131899	WELDMENT,CHASSIS LINK PVT,2669.....	1				
21	49821	SCREW,PHILLIPS,PHM,8-32 X 1.25.....	4				
22	35461	WASHER,FLAT,MS,#8,Y.....	4				
23	18605	NUT,NYLOCK,8-32.....	4				
24	148317	FORMING,DOWN LIMIT SWITCH MNT.....	1				
25	148236	SWITCH,LIMIT,PLUNGER,SMALL..	2				
26	112350	BRG,FL,1.5ID X 1.75OD X .5 LG....	2				
27	112123	ASSY,LINK,INNER #1..... <i>(includes item #6)</i>	1				
28	112070	WELDMENT,LINK,OUTER #1.....	1				
29	112099	WEAR PAD,SLIDER FOOT,LOWER.....	2				
30	131903	WELDMENT,SLIDER FOOT, GS2669.....	2				
31	30434	BEARING,1.25IDX1.50ODX0.88L....	4				



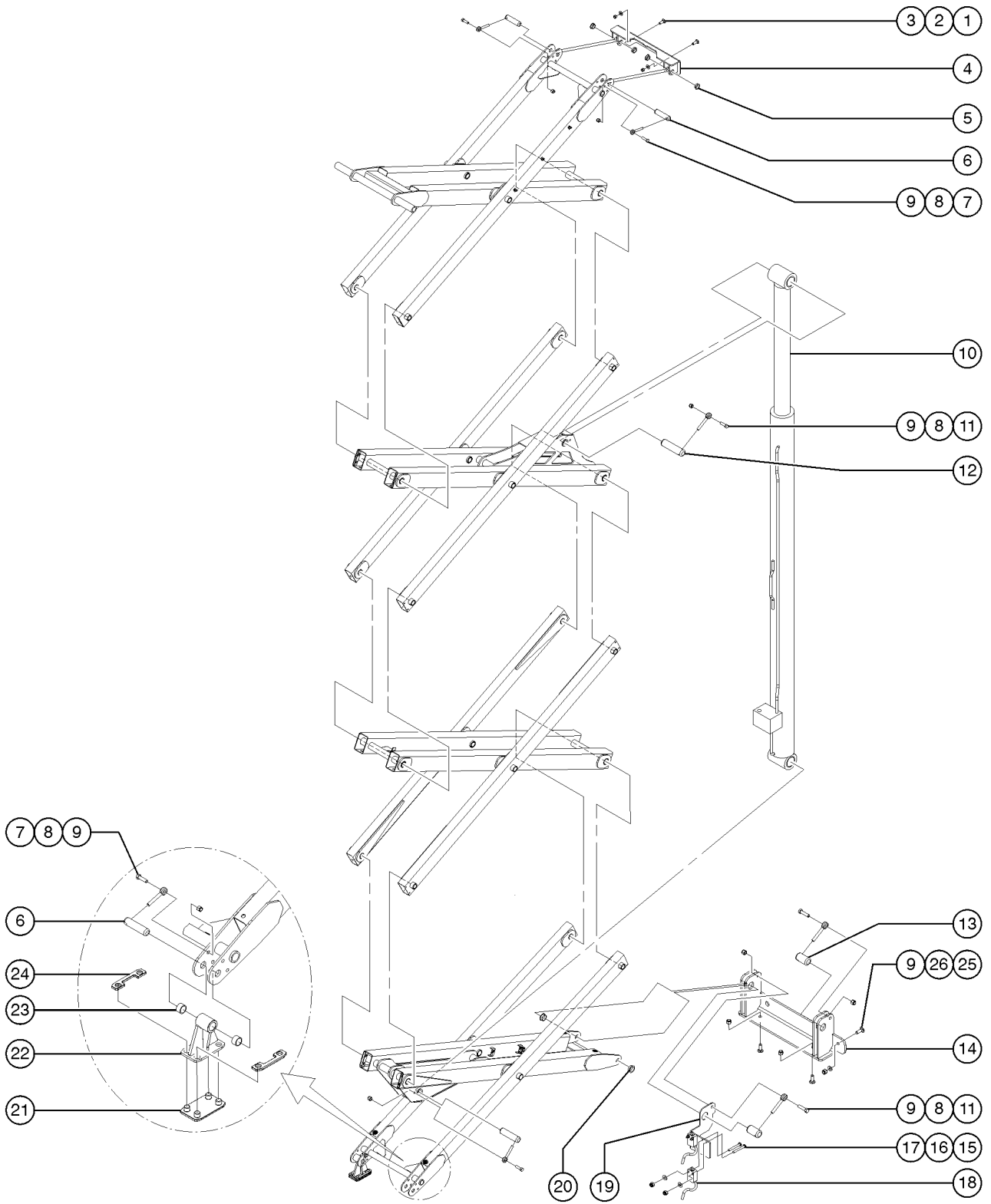
502.1 Scissor Components, GS-3369 RT, View 1



## 502.1 Scissor Components, GS-3369 RT, View 1

Item	Part No.	Description	Qty.
1	18383	SNAP RING,EXTERNAL,1.5 DIA***.....	14
2	T108139	WASHER,FLAT,1.510X2.125.....	14
3	148434	PIN,END LINK,GS69.....	6
4	112708	SLIDER BLOCK, GS69.....	2
5	112076	WELDMENT,LINK,TOP OUTER,GS69.....	1
6	112134	ASSY,LINK,INR #4-3369,#5-4069.... <i>(includes item #13)</i>	1
7	112072	WELDMENT,LINK,OUTER #2,3,4....	2
8	131687	ASSY,LINK,INNER #3, 3369.....	1
9	235092	ARM, 2ND OUTER,W/BEARINGS,WO..... <i>(ANSI, CSA &amp; Australia models with word decals)</i>	2
9	T108137	WLDMT,LINK,OUTER,#2..... <i>(decals not included, refer to section 100)</i>	1
--	235093	ARM, 2ND OUTER,W/BEARINGS,SY..... <i>(Asia, S. America and CE models with symbol decals)</i>	2
10	235094	ARM,2ND INNER ASSY,W/BEARINGS..... <i>(models with word &amp; symbol decals)</i>	1
--	112124	ASSY,LINK,INNER #2..... <i>(includes item #13)</i>	1
11	6326	SCREW,HHC,3/8-16 X 3	
12	4828	NUT,NYLOCK,3/8-16	
13	T108138	BEARING,1.50IDX1.75ODX2.00L..	28
14	148433	PIN,CENTER LINK,GS69.....	8
15	14033	SCREW,HHC,3/8-16 X 2.75	
16	112070	WELDMENT,LINK,OUTER #1.....	1
17	112123	ASSY,LINK,INNER #1.....	1
18	73464	BOLT,CARRIAGE,1/4-20 X 1.75,G2	
19	78736	CLAMP,2 HOSE,PLASTIC,5/8.....	8
20	228103	PLATE,BACKING,LINKS.....	4
21	6889	NUT,LP NYLOCK,1/4-20.....	4
22	112195	FORMING, SAFETY ARM.....	2
23	64154	BOLT,CARRIAGE,3/8-16 X1.00,G5.....	2
24	T109734	BUMPER,LINKS,GS69	

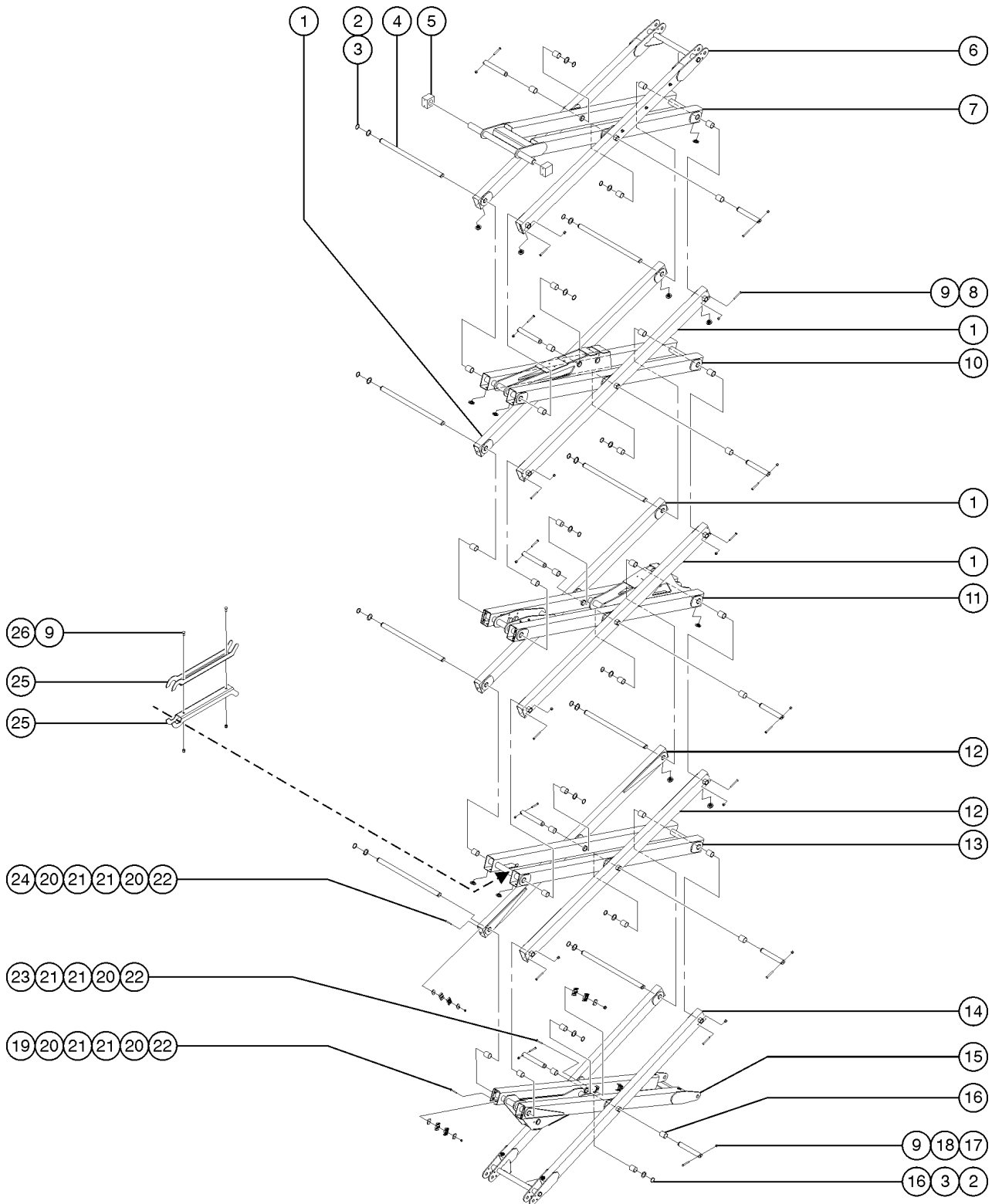
503.1 Scissor Components, GS-3369 RT, View 2



## 503.1 Scissor Components, GS-3369 RT, View 2

Item	Part No.	Description	Qty.
1	96977	BOLT,CARRIAGE,1/2-13X1.50,GR5	
2	6097	WASHER,FLAT,USS,3/8",Y	
3	4828	NUT,NYLOCK,3/8-16	
4	112136	WELDMENT,PLAT PIVOT,33/4069.....1	
5	112375	BEARING,FL,1.25IDX1.50ODX.44LG.4	
6	112115	PIN,1.25 DIA X 5.00 LG,1 HOLE.....4	
7	22788	SCREW,HHC,1/2-13 X 1.75	
8	30418	ROD END,.50 X 4.....8	
9	6198	NUT,NYLOCK,1/2-13	
10		Ref. Lift Cylinders (refer to 705.1)	
11	6096	SCREW,HHC,1/2-13 X 2 GR5	
12	112121	PIN, CYLINDER, LONG.....2	
13	112116	PIN,1.50 DIA X 2.75 LG,1 HOLE.....2	
14	112210	WLDMT,CHASSIS LINK PVT,33/4069.....1	
15	49821	SCREW,PHILLIPS,PHM,8-32 X 1.25	
16	35461	WASHER,FLAT,MS,#8,Y	
17	18605	NUT,NYLOCK,8-32	
18	148236	SWITCH,LIMIT,PLUNGER,SMALL..2	
19	148317	FORMING,DOWN LIMIT SWITCH MNT.....1	
20	112350	BRG,FL,1.5ID X 1.75OD X .5 LG.....2	
21	112099	WEAR PAD,SLIDER FOOT,LOWER.....2	
22	112177	WELDMENT,SLIDER FOOT, 32/4069.....2	
23	30434	BEARING,1.25IDX1.50ODX0.88L....4	
24	112100	WEAR PAD,SLIDER FOOT,UPPER.....4	
25	96203	BOLT,CARRIAGE,1/2-13X1.75, G5	
26	6095	WASHER,FLAT,USS,1/2",Y	

504.1 Scissor Components, GS-4069 RT, View 1

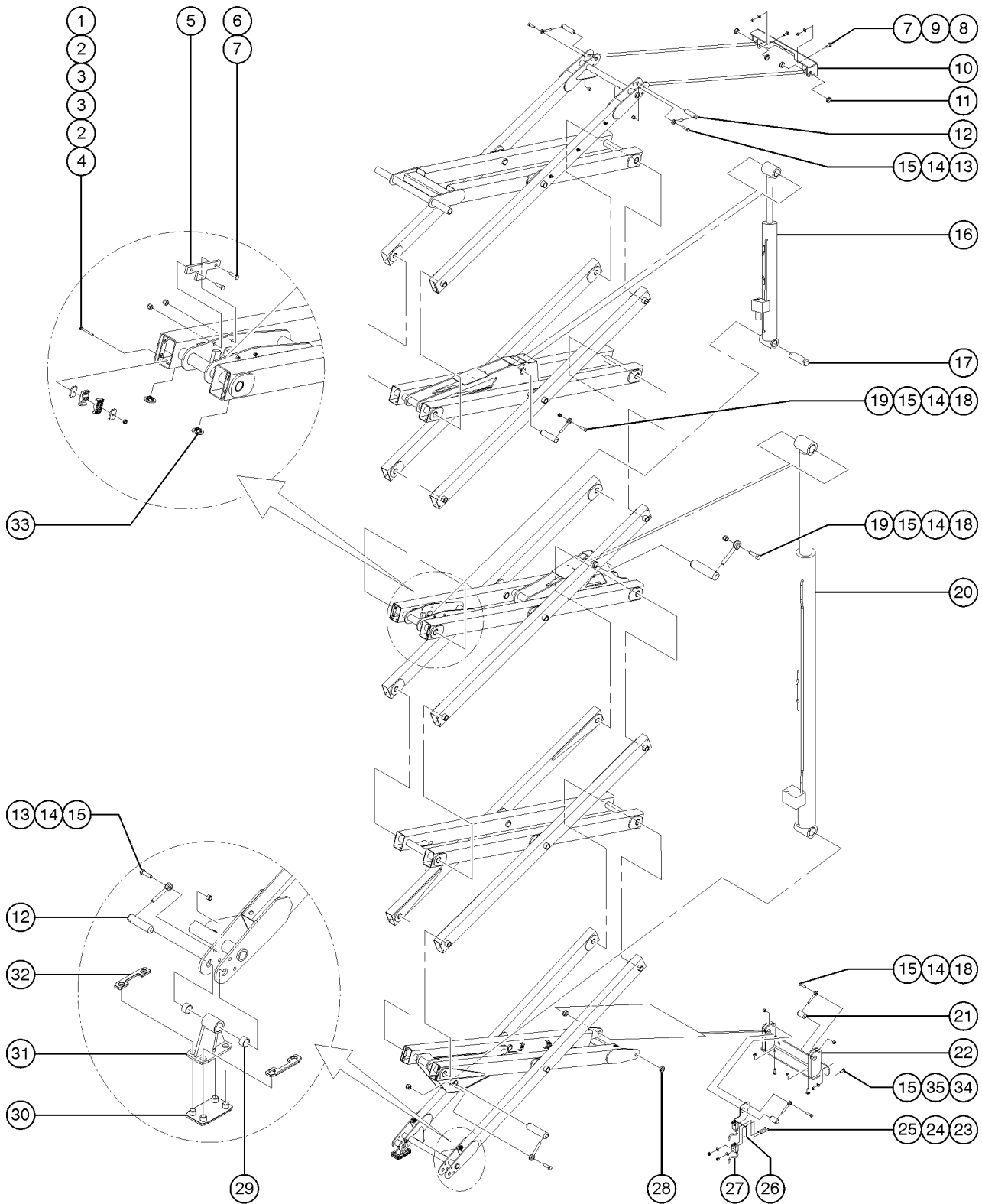




## 504.1 Scissor Components, GS-4069 RT, View 1

Item	Part No.	Description	Qty.
1	112072	WELDMENT, LINK, OUTER #2,3,4....4	
2	18383	SNAP RING, EXTERNAL, 1.5 DIA***.....18	
3	T108139	WASHER, FLAT, 1.510X2.125	
4	148434	PIN, END LINK, GS69.....8	
5	112708	SLIDER BLOCK, GS69.....2	
6	112076	WELDMENT, LINK, TOP OUTER, GS69.....1	
7	112134	ASSY, LINK, INR #4-3369, #5-4069....1	
8	6326	SCREW, HHC, 3/8-16 X 3	
9	4828	NUT, NYLOCK, 3/8-16	
10	112126	ASSY, LINK, INNER #4, 4069.....1	
11	112125	ASSY, LINK, INNER #3, 4069.....1	
12	235092	ARM, 2ND OUTER, W/BEARINGS, WO.....2 <i>(ANSI, CSA &amp; Australia models with word decals)</i>	
--	235093	ARM, 2ND OUTER, W/BEARINGS, SY.....2 <i>(Asia, S. America and CE models with symbol decals)</i>	
--	T108137	WLDMT, LINK, OUTER, #2.....1 <i>(decals not included, refer to section 100)</i>	
13	235094	ARM, 2ND INNER ASSY, W/BEARINGS.....1 <i>(models with word &amp; symbol decals)</i>	
--	112124	ASSY, LINK, INNER #2.....1 <i>(includes item #16)</i>	
14	112070	WELDMENT, LINK, OUTER #1.....1	
15	112123	ASSY, LINK, INNER #1.....1	
16	T108138	BEARING, 1.50IDX1.75ODX2.00L	
17	14033	SCREW, HHC, 3/8-16 X 2.75	
18	148433	PIN, CENTER LINK, GS69.....10	
19	96905	BOLT, CARRIAGE, 1/4-20 X 2.5, G2	
20	228103	PLATE, BACKING, LINKS.....8	
21	78736	CLAMP, 2 HOSE, PLASTIC, 5/8.....12	
22	6889	NUT, LP NYLOCK, 1/4-20	
23	73464	BOLT, CARRIAGE, 1/4-20 X 1.75, G2	
24	4266	SCREW, HHC, 1/4-20 X 2	
25	112195	FORMING, SAFETY ARM.....2	
26	64154	BOLT, CARRIAGE, 3/8-16 X1.00, G5	

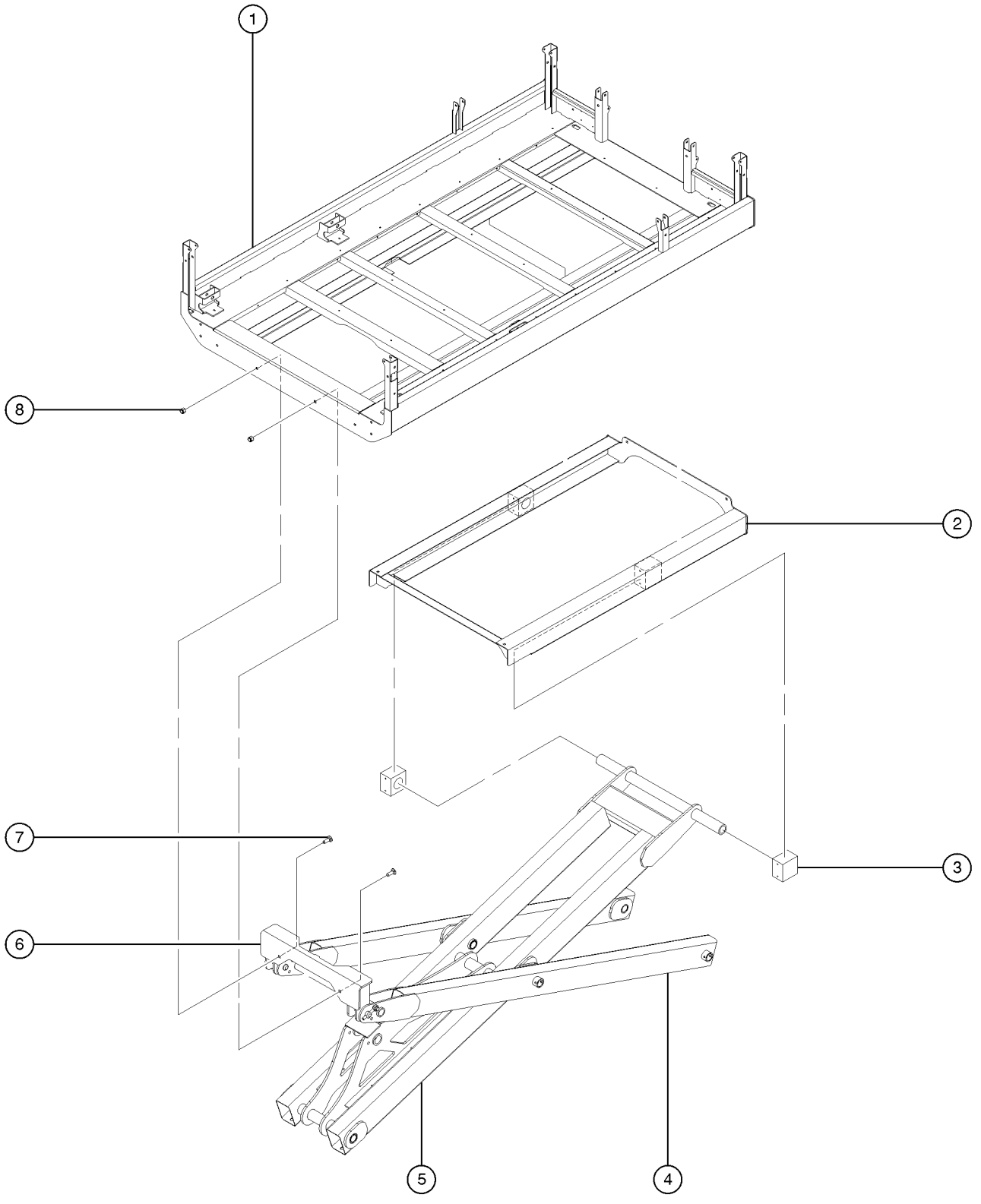
505.1 Scissor Components, GS-4069 RT, View 2



## 505.1 Scissor Components, GS-4069 RT, View 2

Item	Part No.	Description	Qty.	Item	Part No.	Description	Qty.
1	96905	BOLT,CARRIAGE,1/4-20 X 2.5,G2		34	96203	BOLT,CARRIAGE,1/2-13X1.75, G5	
2	228103	PLATE,BACKING,LINKS.....	6	35	6095	WASHER,FLAT,USS,1/2",Y	
3	78736	CLAMP,2 HOSE,PLASTIC,5/8.....	6				
4	6889	NUT,LP NYLOCK,1/4-20					
5	112106	PLATE,UPR CYL,PIN RETAINR 4069.....	2				
6	6019	SCREW,HHC,3/8-16 X 1.25 GRD 5					
7	4828	NUT,NYLOCK,3/8-16					
8	96977	BOLT,CARRIAGE,1/2-13X1.50,GR5					
9	6097	WASHER,FLAT,USS,3/8",Y					
10	112136	WELDMENT,PLAT PIVOT,33/4069.....	1				
11	112375	BEARING,FL,1.25IDX1.50ODX.44LG					
12	112115	PIN,1.25 DIA X 5.00 LG,1 HOLE....	4				
13	22788	SCREW,HHC,1/2-13 X 1.75					
14	30418	ROD END,.50 X 4.....	9				
15	6198	NUT,NYLOCK,1/2-13					
16		Ref. Lift Cylinders (refer to 705.1)					
17	235122	PIN,UPPER CYLINDER.....	1				
18	6096	SCREW,HHC,1/2-13 X 2 GR5					
19	112121	PIN, CYLINDER, LONG.....	3				
20		Ref. Lift Cylinders (refer to 705.1)					
21	112116	PIN,1.50 DIA X 2.75 LG,1 HOLE....	2				
22	112210	WLDMT,CHASSIS LINK PVT,33/4069.....	1				
23	49821	SCREW,PHILLIPS,PHM,8-32 X 1.25					
24	35461	WASHER,FLAT,MS,#8,Y					
25	18605	NUT,NYLOCK,8-32					
26	148317	FORMING,DOWN LIMIT SWITCH MNT.....	1				
27	148236	SWITCH,LIMIT,PLUNGER,SMALL..	2				
28	112350	BRG,FL,1.5ID X 1.75OD X .5 LG....	2				
29	30434	BEARING,1.25IDX1.50ODX0.88L....	4				
30	112099	WEAR PAD,SLIDER FOOT,LOWER.....	2				
31	112177	WELDMENT,SLIDER FOOT, 32/4069.....	2				
32	112100	WEAR PAD,SLIDER FOOT,UPPER.....	4				
33	T109734	BUMPER,LINKS,GS69.....	32				

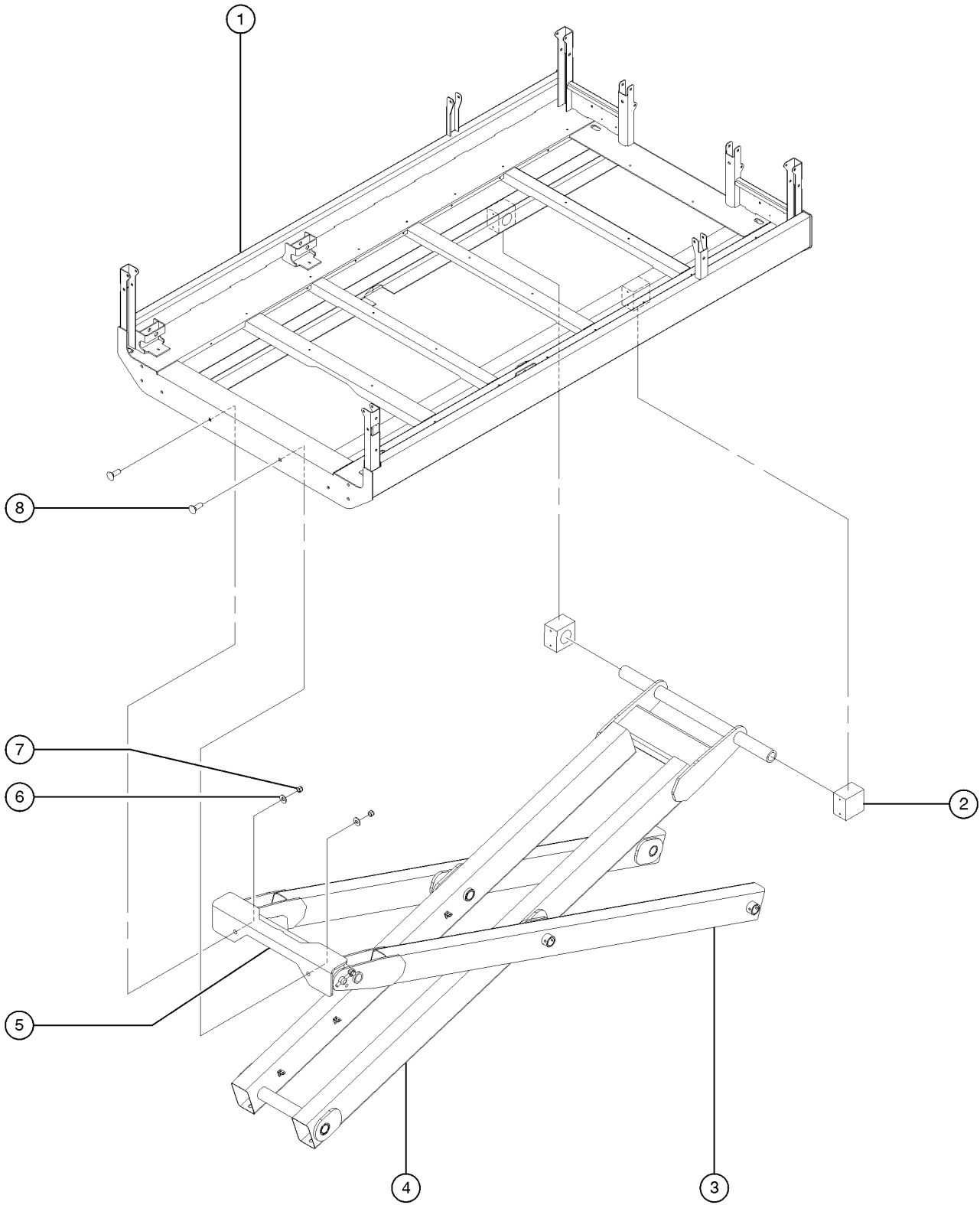
601.1 Platform Installation, GS-2669 RT, View 1



## 601.1 Platform Installation, GS-2669 RT, View 1

Item	Part No.	Description	Qty.
1	235170	MAIN PLAT DECK ASSY,2669,WO,ANSI GS-2669 RT (ANSI & CSA models with word decals)	
--	112703	WELDMNT,MAIN PLATFORM,GS69.....1 (decals not included, refer to section 100)	1
--	235173	MAIN PLAT DECK ASSY,2669,WO,AUS GS-2669 RT (Australia models with word decals)	
--	235176	MAIN PLAT DECK ASSY,2669,SY,ANSI GS-2669 RT (Asia & S. America models with symbol decals)	
--	235179	MAIN PLAT DECK ASSY,2669,SY,CE GS-2669 RT (CE models with symbol decals)	
2	131874	WLDMNT,PLATFORM SPACER, 2669.....1	1
3	112708	SLIDER BLOCK, GS69.....2	2
4	112076	WELDMNT,LINK,TOP OUTER,GS69.....1	1
5	112127	ASSY,LINK,INNER #3, 2669.....1 (bearings included)	1
6	112229	WELDMNT,PLATFORM PIVOT,2669.....1	1
7	96977	BOLT,CARRIAGE,1/2-13X1.50,GR5.2	
8	6198	NUT,NYLOCK,1/2-13.....2	2

602.1 Platform Installation, GS-3369 RT and GS-4069 RT, View 2

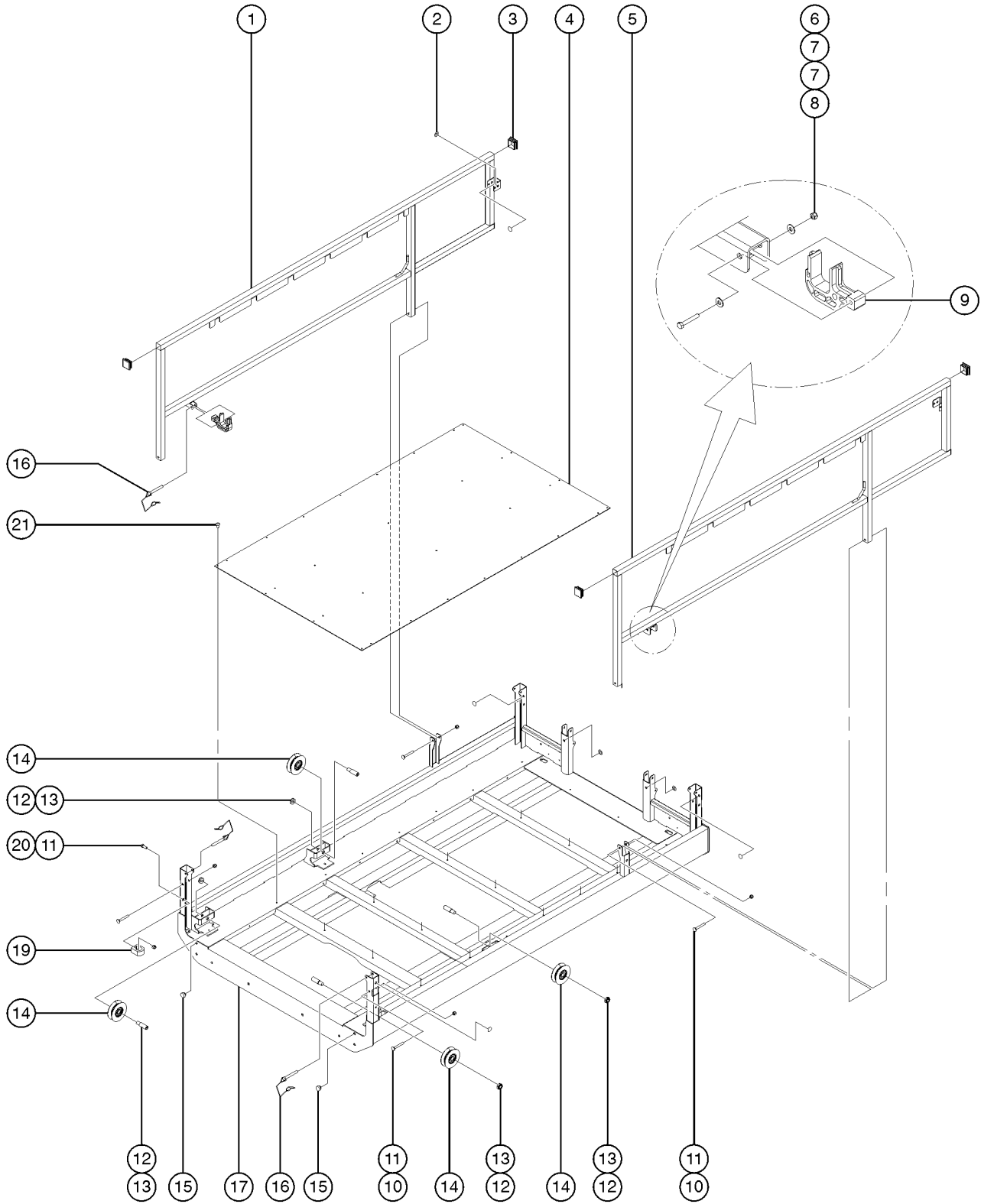


A TEREX BRAND

## 602.1 Platform Installation, GS-3369 RT and GS-4069 RT, View 2

Item	Part No.	Description	Qty.
1	235171	MAIN PLAT DECK ASSY,3369,WO,ANSI <i>GS-3369 RT (ANSI &amp; CSA models with word decals)</i>	
--	112703	WELDMENT,MAIN PLATFORM,GS69.....1 <i>(decals not included, refer to section 100)</i>	
--	235172	MAIN PLAT DECK ASSY,4069,WO,ANSI <i>GS-4069 RT (ANSI &amp; CSA models with word decals)</i>	
--	235174	MAIN PLAT DECK ASSY,3369,WO,AUS <i>GS-3369 RT (Australia models with word decals)</i>	
--	235175	MAIN PLAT DECK ASSY,4069,WO,AUS <i>GS-4069 RT (Australia models with word decals)</i>	
--	235177	MAIN PLAT DECK ASSY,3369,SY,ANSI <i>GS-3369 RT (Asia &amp; S. America models with symbol decals)</i>	
--	235178	MAIN PLAT DECK ASSY,4069,SY,ANSI <i>GS-4069 RT (Asia &amp; S. America models with symbol decals)</i>	
--	235180	MAIN PLAT DECK ASSY,3369,SY,CE <i>GS-3369 RT (CE models with symbol decals)</i>	
--	235181	MAIN PLAT DECK ASSY,4069,SY,CE <i>GS-4069 RT (CE models with symbol decals)</i>	
2	112708	SLIDER BLOCK, GS69.....2	
3	112076	WELDMENT,LINK,TOP OUTER,GS69.....1	
4	112134	ASSY,LINK,INR #4-3369,#5-4069....1 <i>(bearings included)</i>	
5	112136	WELDMENT,PLAT PIVOT,33/4069.....1	
6	6097	WASHER,FLAT,USS,3/8",Y.....2	
7	4828	NUT,NYLOCK,3/8-16.....2	
8	96977	BOLT,CARRIAGE,1/2-13X1.50,GR5.2	

603.1 Platform Railing Installation

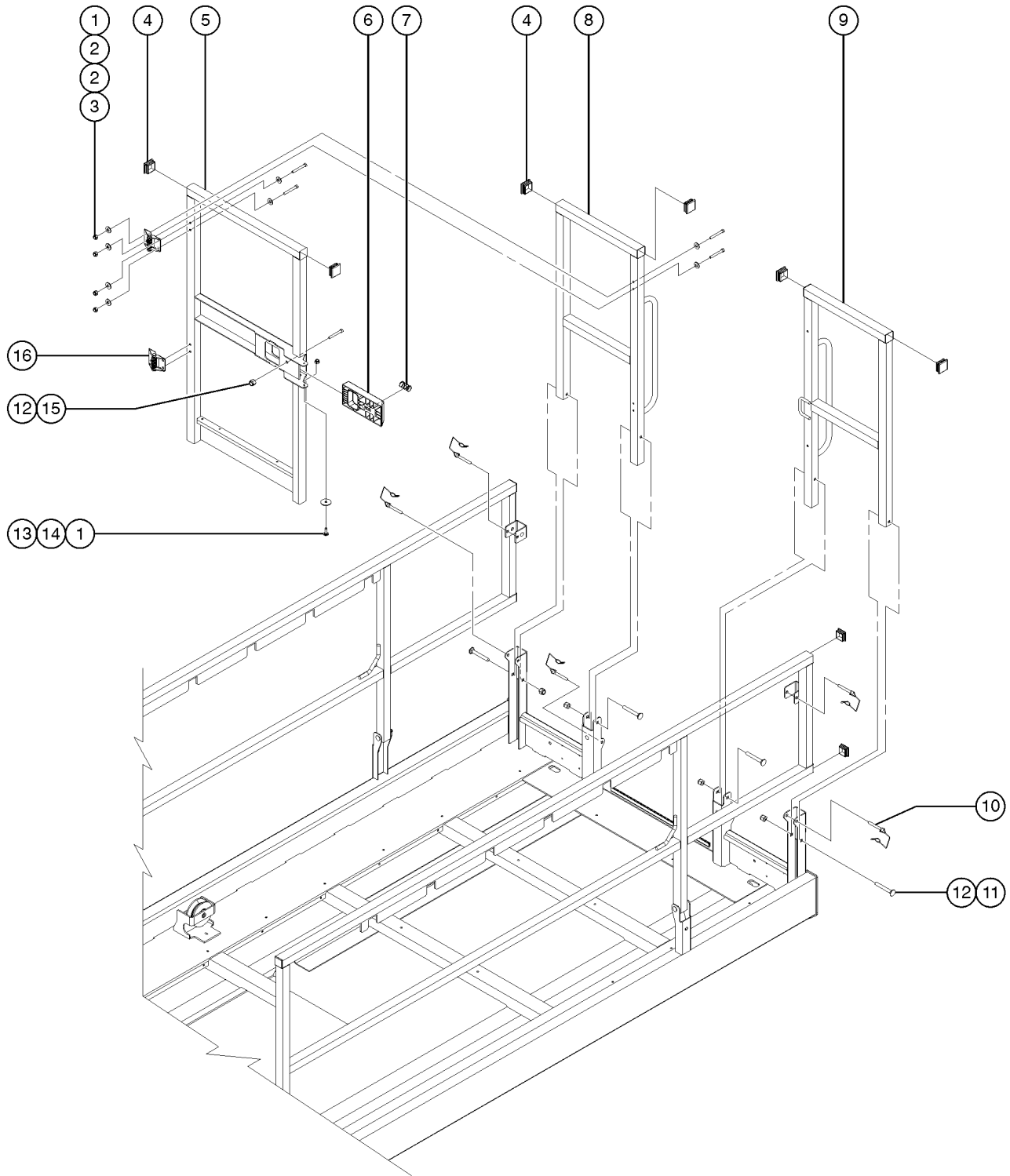




## 603.1 Platform Railing Installation

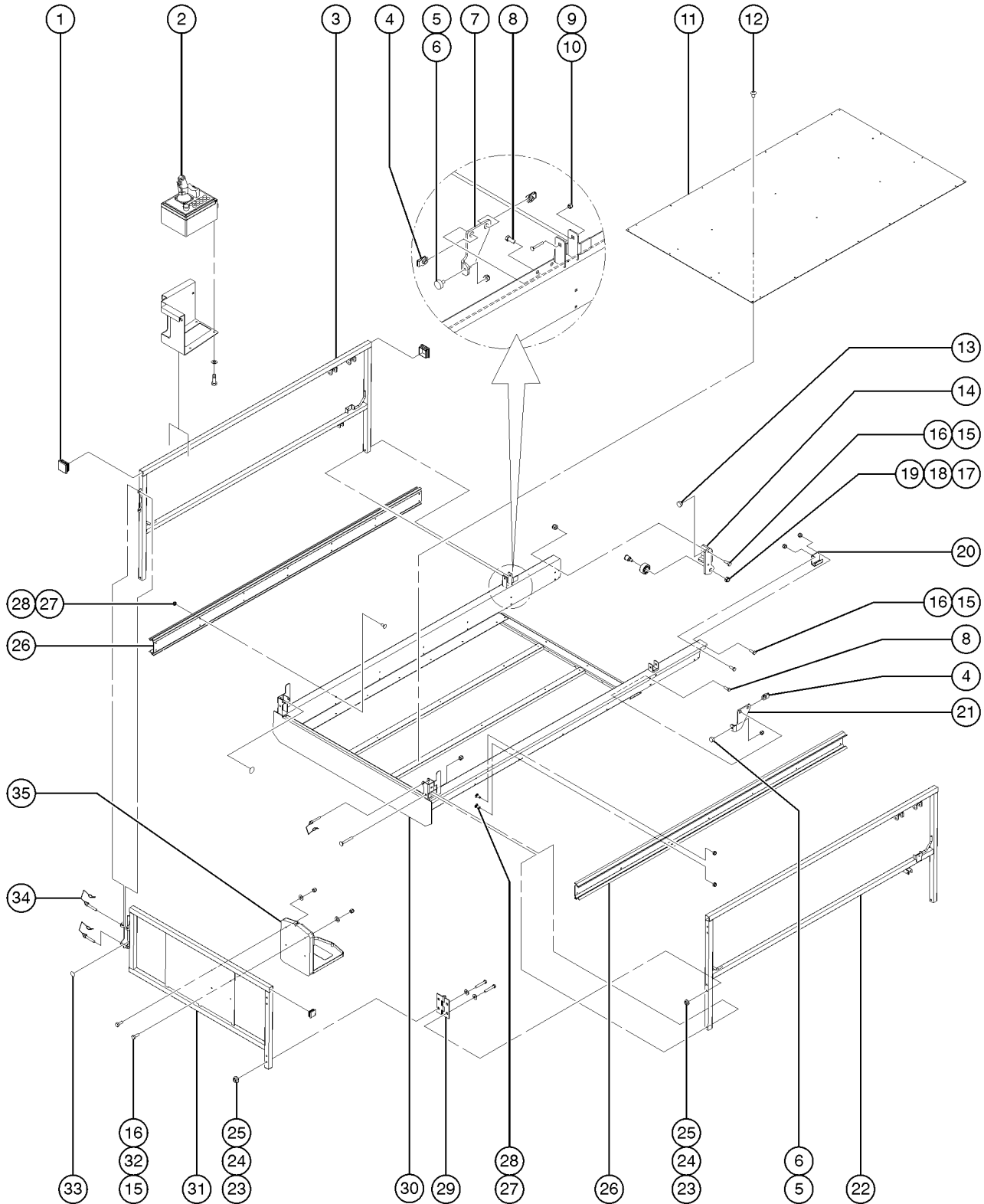
Item	Part No.	Description	Qty.
1	235331	MAIN PLAT RAIL ASSY,RT	
--	131744	WELDMENT,MAIN RAIL,RIGHT.....1 <i>(decals not included, refer to section 100)</i>	
2	47478	BUMPER,RUBBER,1"OD X .461 H.....10	
3	79355	PLUG,TUBE,SQ 1.50X.065.....6	
4	131749	PLATE,GS69 DECK.....1	
5	235332	MAIN PLAT RAIL ASSY,LT	
--	131745	WELDMENT, MAIN RAIL, LEFT.....1 <i>(decals not included, refer to section 100)</i>	
6	6091	NUT,NYLOCK,1/4-20.....2	
7	6638	WASHER,FLAT,USS,1/4"Y.....4	
8	6637	SCREW,HHC,1/4-20 X 1.75.....2	
9	71376	RAIL SPACER, GS90.....2	
10	112476	BOLT,CARRIAGE,3/8-16X2.75,G5...4	
11	4828	NUT,NYLOCK,3/8-16.....5	
12	38028	NUT,LP NYLOCK,5/8-11.....4	
13	87568	PIN, SHOULDER, 5/8-11 X 1.77....4	
14	131416	V-ROLLER,NARROW,EXT DECK...4	
15	47230	BUMPER,RUBBER.....2	
16	66030	PIN, WIRE LOCK 3/8 X 2 -1/2.....4	
17		Ref., WELDMENT, MAIN PLATFORM.....1 <i>(refer to 601.1 &amp; 602.1)</i>	
19	87523	COIL CORD CLIP.....1	
20	6175	SCREW,HHC,3/8-16 X 1.....1	
21	71315	RIVET,DRIVE, .25 X .25.....24	

604.1 Platform Entry Gate



Item	Part No.	Description	Qty.
1	6091	NUT,NYLOCK,1/4-20 <i>gate; to SN 834</i>	
1A	6889	NUT,LP NYLOCK,1/4-20 <i>gate; from SN 835</i>	
2	6638	WASHER,FLAT,USS,1/4"Y <i>door latch</i>	
3	4266	SCREW,HHC,1/4-20 X 2	
4	79355	PLUG,TUBE,SQ 1.50X.065.....	10
5	87320	WELDMENT,ENTRY GATE**.....	1
6	112543	SLIDER, GATE CATCH.....	1
7	22446	SPRING,COMPRESSION .835 X 2.....	1
8	131747	WELDMENT, MAIN, A-RAIL, RIGHT.....	1
9	131746	WELDMENT, MAIN, A-RAIL, LEFT.....	1
10	66030	PIN, WIRE LOCK 3/8 X 2 -1/2.....	4
11	112476	BOLT,CARRIAGE,3/8-16X2.75,G5	
12	4828	NUT,NYLOCK,3/8-16	
13	6878	BOLT,CARRIAGE,1/4-20 X .75,G2	
14	47793	BUMPER, MODULE TRAY.....	1
15	6708	SCREW,HHC,3/8-16 X 2.25.....	1
16	104804	HINGE, SPRING, LONG LEG.....	2

605.1 Platform Extension

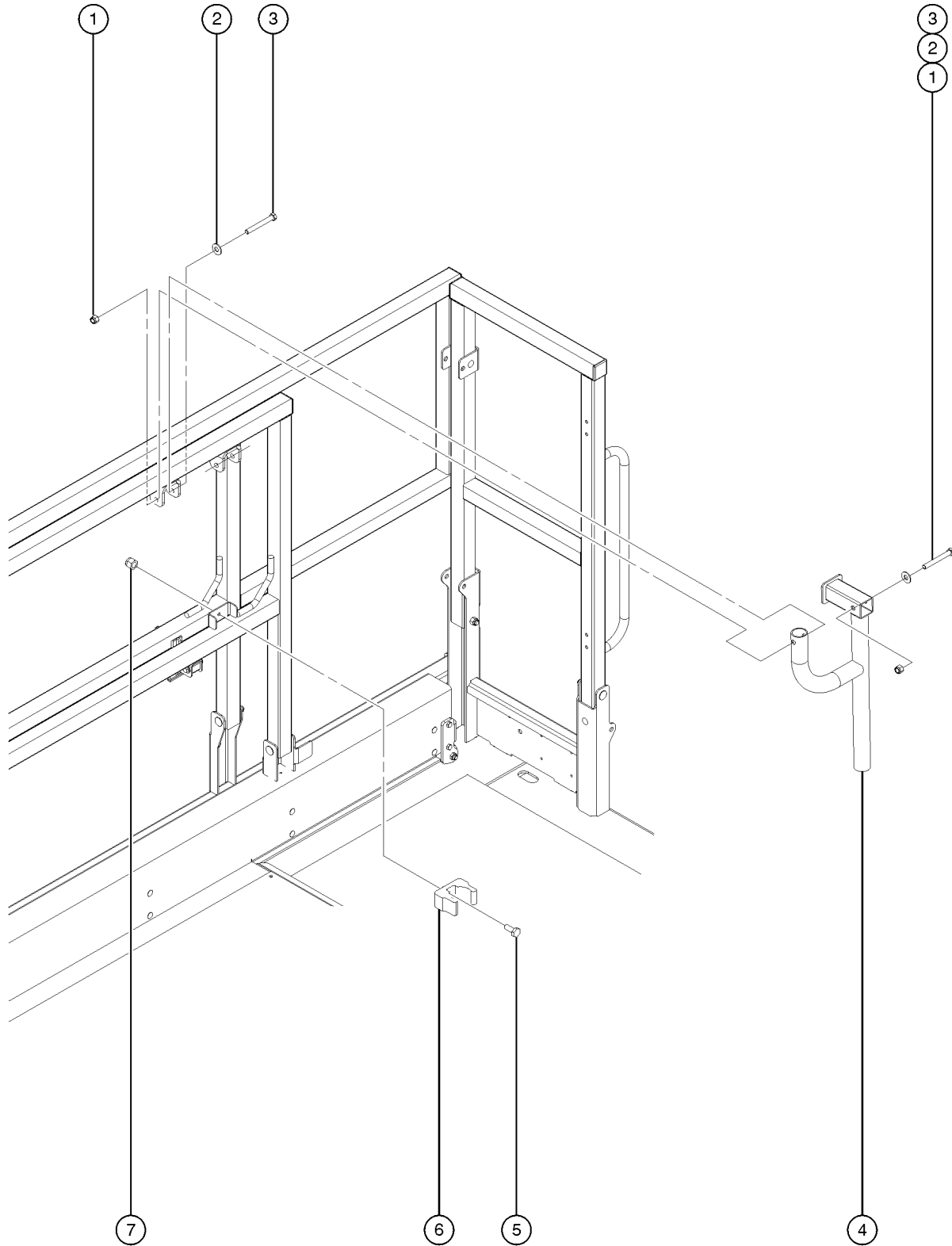


605.1 Platform Extension

Item	Part No.	Description	Qty.	Item	Part No.	Description	Qty.
--	33550	TAPE,WARNING,BLK/YEL, 50'***.....66 inches (CE and Australia models only)		25A	6708	SCREW,HHC,3/8-16 X 2.25.....8 to SN 834	
1	79355	PLUG,TUBE,SQ 1.50X.065.....8		25B	87564	BOLT,CARRIAGE,3/8-16 X 2.00,G2 from SN 835	
2		Ref. Platform Controller (refer to 608.1)		26	131751	EXTRUSION,ALUM,V-ROLLER TRK.....2	
3	235090	PLAT SIDE EXT RAIL ASSY,RT		27	87645	BOLT,CARRIAGE,1/4-20 X .63,G2.....28	
--	131743	WELDMENT,SIDE EXT RAIL,RIGHT.....1 (decals not included, refer to section 100)		28	6889	NUT,LP NYLOCK,1/4-20.....28	
4	29868	SPRING CLIP,3/8-16.....4		29	55517	HINGE, GSRT90 BOX.....2	
5	79090	BUMPER, 1.00 X .375 X 5/16.....2		30	131735	WELDMENT,EXT.DECK,GS69.....1	
6	6782	NUT,NYLOCK,5/16-18.....2		31	235097	PLAT EXT DECK RAIL ASSY,END,WO (ANSI & CSA models with word decals)	
7	99268	FORMING,PLATFORM STOP,LEFT.....1 (CE models with no outriggers only)		--	131742	WELDMENT,EXT DECK RAIL,END.....1 (decals not included, refer to section 100)	
8	6175	SCREW,HHC,3/8-16 X 1.....4		--	235098	PLAT EXT DECK RAIL ASSY,END,WO (Australia models with word decals)	
9	112476	BOLT,CARRIAGE,3/8-16X2.75,G5...4		--	235099	PLAT EXT DECK RAIL ASSY,END,SY (Asia, S. America & CE models with symbol decals)	
10	4828	NUT,NYLOCK,3/8-16.....4		32	6638	WASHER,FLAT,USS,1/4"Y.....4	
11	131749	PLATE,GS69 DECK.....1		33	47478	BUMPER,RUBBER,1"OD X .461 H.....4	
12	71315	RIVET,DRIVE, .25 X .25.....24		34	66030	PIN, WIRE LOCK 3/8 X 2 -1/2.....4	
13	47230	BUMPER,RUBBER.....2		35	24514	BOX,INSTRUCTION STORAGE.....1	
14	87570	FORMING,EXT DECK STOP,RIGHT.....2					
15	6090	SCREW,HHC,1/4-20 X .75.....12					
16	6091	NUT,NYLOCK,1/4-20.....12					
17	7713	NUT,LP NYLOCK,3/8-16.....2					
18	38016	ROLLER,PLASTIC,AWP96**.....2					
19	35706	BOLT,ROLLER,.470"(SHORT).....2					
20	87675	FORMING,EXT DECK CATCH.....2					
21	99267	FORMING,PLATFORM STOP,RIGHT.....1 (CE models only)					
22	235100	PLAT SIDE EXT RAIL ASSY,LT					
--	131741	WELDMENT,SIDE EXT RAIL,LEFT.....1 (decals not included, refer to section 100)					
23	48425	NUT,LOCKING-LRG.FLANGE,3/8-16.8					
24A	6097	WASHER,FLAT,USS,3/8",Y.....8 to SN 834					
24B	219210	WASHER,FLAT,SAE,3/8",Y.....8 from SN 835					



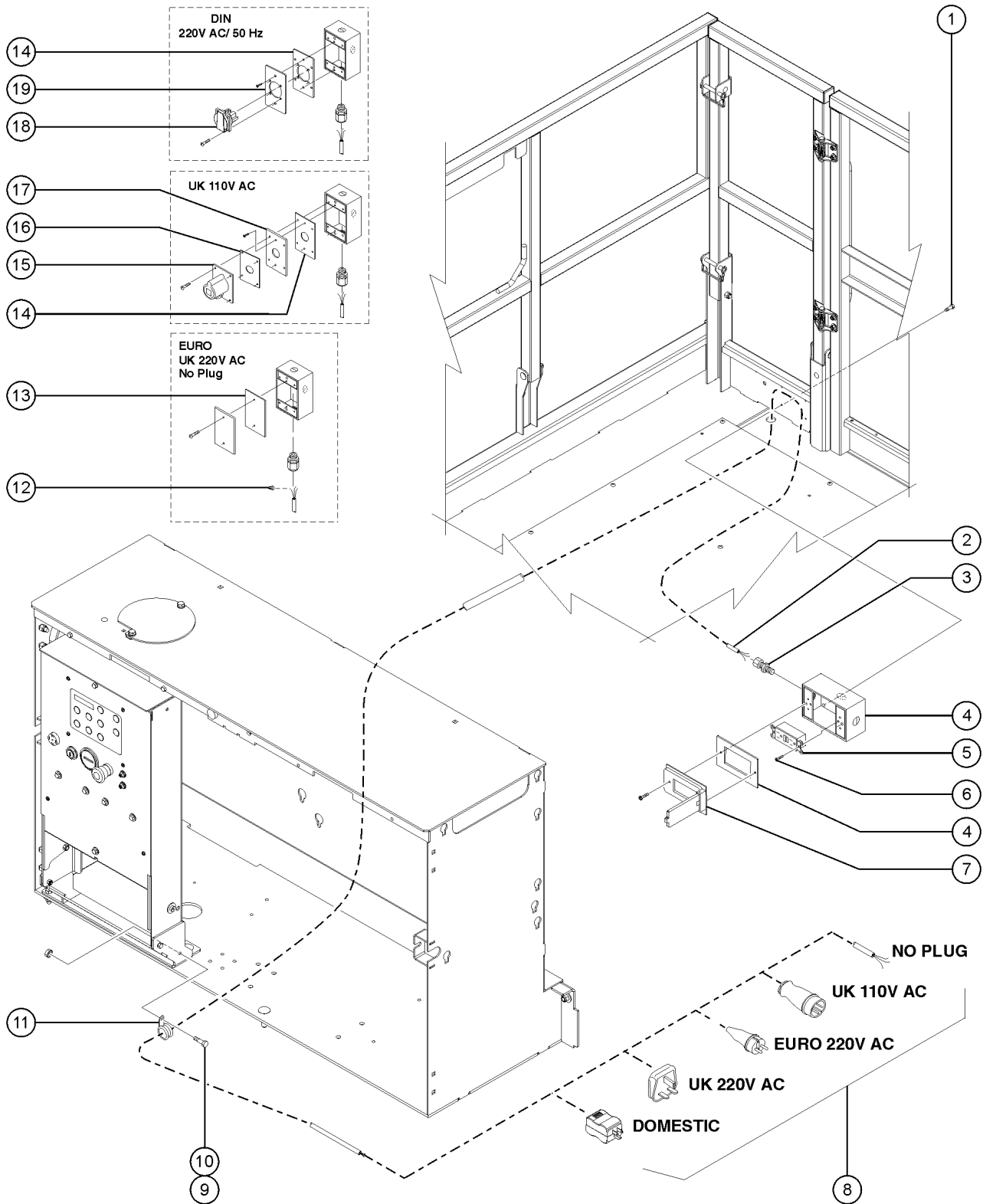
606.1 Platform Extension Deck Lock



606.1 Platform Extension Deck Lock

Item	Part No.	Description	Qty.
1	4828	NUT,NYLOCK,3/8-16.....	4
2	6097	WASHER,FLAT,USS,3/8",Y.....	4
3	6326	SCREW,HHC,3/8-16 X 3.....	4
4A	148422	WLDMT,EXT DECK HANDLE.....	2
4B	148425	WLDMT,EXT DECK HANDLE,L..... <i>(left side)</i>	1
5	8914	SCREW,HHC,1/4-20 X .625.....	2
6	T108074	UHMW,EXT LATCH ARM CATCH....	2
7	6889	NUT,LP NYLOCK,1/4-20.....	2

607.1 Power to Platform



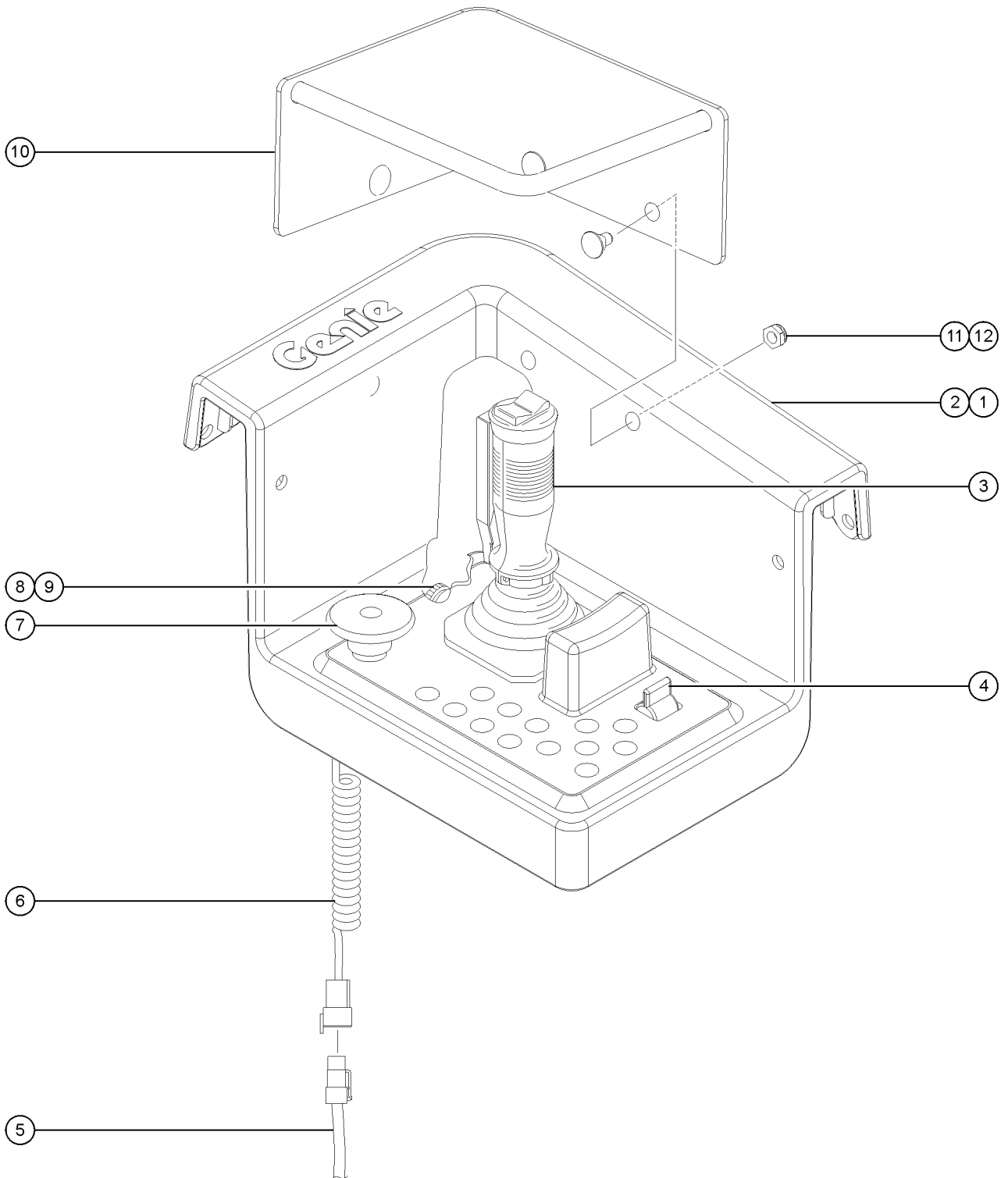


607.1 Power to Platform

Item	Part No.	Description	Qty.	Item	Part No.	Description	Qty.
--	33724	KIT,GASKET,UK POWER TO PLAT. <i>(includes items 14 and 16)</i>		15B	T112560	RECEPTACLE,UK,110V <i>from SN GS6912-1575</i>	
1	112772	SCREW,PHM,8-32X.438		16	66356	GASKET, UK RECEPTACLE.....1	
2A	43956	WIRE CABLE,14/3 CON.TPE JKT*.....624-inches GS-2669		17	33629	PLATE,UK POWER TO PLATFORM.....1	
2B	43956	WIRE CABLE,14/3 CON.TPE JKT*.....756-inches GS-3369		18	66353	RECEPTACLE, DIN, 220V 50A.....1	
2C	43956	WIRE CABLE,14/3 CON.TPE JKT*.....900-inches GS-4069		19	96236	PLATE,AC ADAPTER,DIN/UK***.....1	
3	7056	CONN,SQUEEZE,1/2NPT .38-.50,SM					
4	10775	T-BOX,2.75 X 4.5 X 2.0.....1					
5	13585	OUTLET,110V GFCI***.....1 <i>(North America)</i>					
6	7127	SCREW,PHILLIPS,PHM,6-32 X .75					
7	45437	COVER,GFCI,WEATHERPROOF....1 <i>(North America; includes gasket and mounting fasteners)</i>					
8	6595	PLUG,ELECTRICAL,DOMESTIC.....1					
--		FUSE,13 AMP,220V PLUG <i>(component no longer available for plug 25388) refer to BS1362 BUSS TDC180-13A</i>					
--	144161	PLUG,PWR,UK,16AMP,3PIN,BLK					
--	25388	PLUG,FUSED,250V,13AMP,U.K.**					
--	6666	PLUG,ELECTRICAL,220/50,NOVON					
--	87193	PLUG, AUSTRALIAN					
--	REF.	NO PLUG <i>Ref. No Plug - Consult Factory</i>					
9	6090	SCREW,HHC,1/4-20 X .75					
10	6091	NUT,NYLOCK,1/4-20					
11	45470	CLAMP,0.31,#5 X 1/4,RUB CUSH....1					
12	6626	WIRE CAP,ORANGE.....3					
13	10777	COVER,BLANK.....1 <i>(includes mounting fasteners)</i>					
14	66355	GASKET, UK & DIN PWR. TO PLAT.....1					
15	T112563	SVC KIT,UK RECEPT.REPLACEMENT.....1					
15A	T112563	SVC KIT,UK RECEPT.REPLACEMENT.....1 <i>to SN GS6912-1574 (includes mounting plate, gasket, fasteners)</i>					

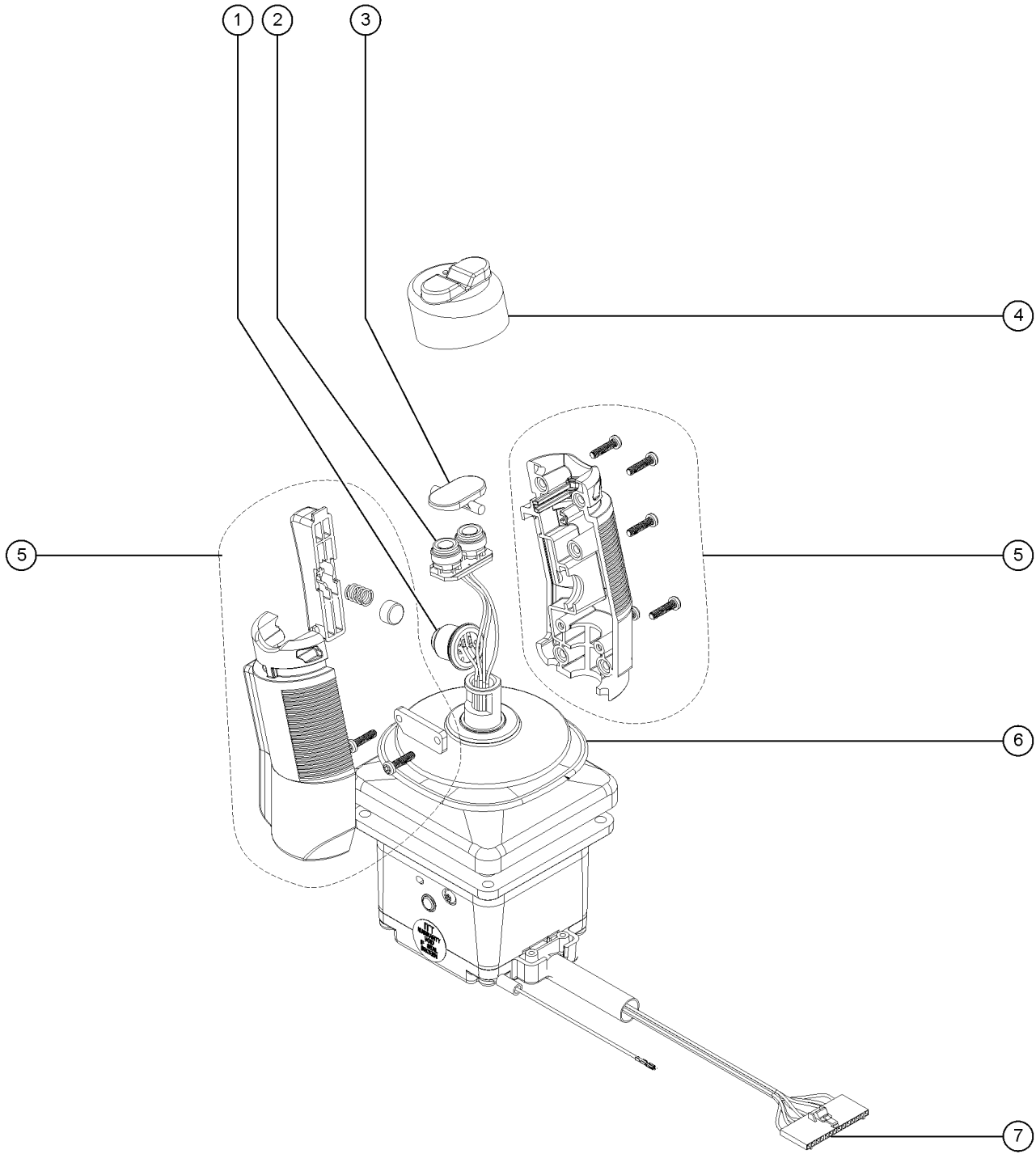


608.1 Platform Controls



Item	Part No.	Description	Qty.
--	105662	CLEAR SWITCH ACTUATOR	
--	230808	DECAL,PLAT CONTROL PANEL GS69	
--	231083	PLAT CONTROL BOX, GS69 GEN 2 <i>Complete</i>	
--	99163	PCB,RT PLATFORM CONTROLS***	
--	T108044	CLEAR SWITCH ACTUATOR(QTY 10)	
1	87566	HOUSING,RT PLATFORM CONTROLS** .....1 <i>(top)</i>	1
2	87567	COVER,RT PLATFORM CONTROLS*** .....1 <i>(bottom)</i>	1
3		Ref. Joystick Controller <i>(refer to 609.1)</i>	
4	99164	ANALOG ROCKER ASSEMBLY*** .....1	1
5		Ref. Control Cable Assembly <i>(refer to 408.1)</i>	
6	144065	KIT,GEN 5 COIL CORD.....1 <i>(kit, includes connector, coil cord, instructions, dielectric grease and cable tie; see below)</i>	1
7	66812	BUTTON,PUSH,RED MUSHROOM HEAD.....1	1
--	66817	BASE WITH 1 NC CONTACT, E-STOP	
--	66818	CONTACT,NC	
8	62164	ALARM ASSY,12VDC,ITT,4 PIN**** .....1 <i>72326 nut included</i>	1
9	72326	NUT - PLASTIC,RING FOR ALARMS.....1	1
10	823341	KIT, PLAT CTRL GUARD RT.....1 <i>includes items 11 and 12</i>	1
--	825187	WELDMENT, PLT CTRL GUARD.....1	1
11	80149	BOLT,CARRIAGE,1/4-20 X .5,G2.....3	3
12	6889	NUT,LP NYLOCK,1/4-20.....3	3

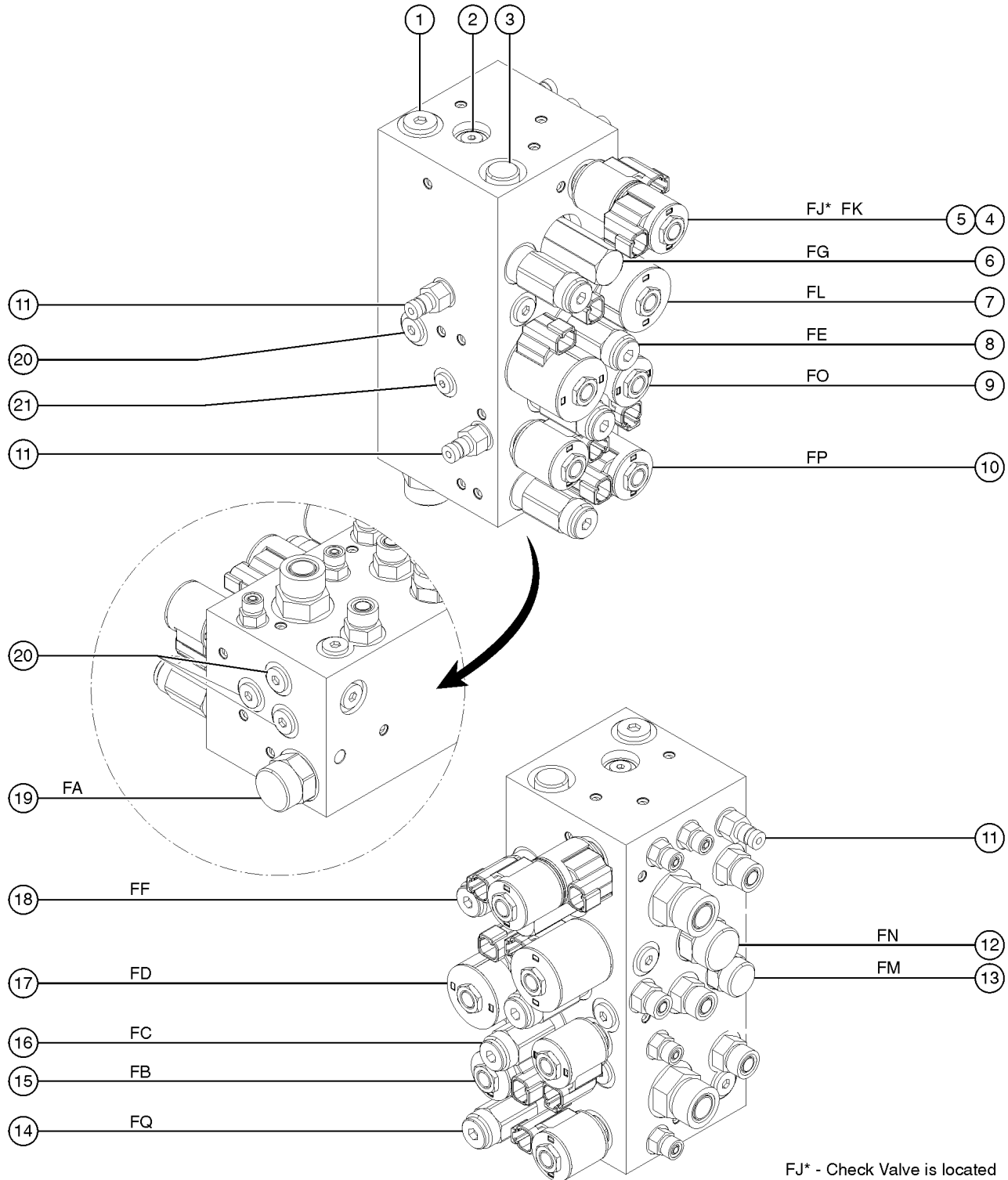
609.1 Platform Controls Joystick



609.1 Platform Controls Joystick

Item	Part No.	Description	Qty.
--	78903	JOYSTICK,SINGL AXIS,HALL,SLAB* <i>OEM Joystick</i>	
--	78903H	JOYSTICK,SINGL AXIS,HALL,SLAB <i>aftermarket joystick</i>	
1	105171	KIT,JOYSTICK ENABLE SWITCH....1	
2	105108	STEER SWITCH REPAIR KIT***.....1	
3	105109	TURN SWITCH ACTUATOR,JOYSTICK** .....1	
4	97015	BOOT,THUMB ROCKER*** .....1	
5	97014	JOYSTICK HANDLE SET, COMPLETE.....1	
6	97013	BOOT, JOYSTICK~.....1	
7	105172	KIT, PLATFORM PC RECEPT/SOC.....1	

701.1 Function Manifold



FJ\* - Check Valve is located inside manifold, under the valve cartridge.

701.1 Function Manifold

Item	Part No.	Description	Qty.	Item	Part No.	Description	Qty.
--		<i>Use the letter callouts to cross-reference with the Service Manual.</i>		10	62815	VALVE,SOLENOID,2POS 3 WAY*** .....1 <i>(FP, Oscillate left)</i>	
--	49612	O-RING KIT (ORFS FITTINGS)		--	104759	COIL,12VDC #8 DTSCH IP69 ECOIL <i>(sold separately)</i>	
--	49613	PLUG AND CAP KIT-SERVICE,ORFS*		--	44174	NUT-COIL SHORT	
--	T107408	ASSY,FUNCTION MANIFOLD,GS69 <i>(manifold, complete)</i>		--	52371	SEAL KIT, VALVE	
1	234613	PLUG, PORT SAE #8 HEX SOCKET.....1		11	48997	NIPPLE,DIAGNOSTIC,#4 PORT*** <i>(testing port)</i>	
2	52907	VALVE-CHECK, #4 SAE, 5 PSI*.....1 <i>(FH, Differential sensing circuit)</i>		--	20224	DIAGNOSTIC FEMALE Q-DSCNT <i>(pressure guage not included)</i>	
--	62341	SEAL KIT,52907,SIZE 4, 2 WAY		--	48880	CAP,DIAGNOSTIC NIPPLE	
3	234598	REGULATOR, FLOW 2GPM.....1 <i>(FI, Controls flow to steer circuit)</i>		12	234605	VALVE, FLOW CONTROL, P-COMP.....1 <i>(FN, Lift / Drive Circuit)</i>	
--	44228	SEAL KIT, VALVE		--	234604	KIT, SEAL	
4	234600	VALVE, SOLENOID, 5W-3P.....1 <i>(FK, Steer left / right)</i>		13	234606	REGULATOR, FLOW, 6GPM.....1 <i>(FM, Meters flow to functions)</i>	
--	104759	COIL,12VDC #8 DTSCH IP69 ECOIL <i>(sold separately)</i>		--	52378	SEAL KIT,SOLENOID(52377)	
--	230983	VITON SEAL KIT, VALVE		14	234607	VALVE, PRESS. CNTRL 15GPM.....1 <i>(FQ, Oscillate circuit)</i>	
--	44174	NUT-COIL SHORT		--	62337	SEAL KIT, VALVE	
--	97372	E-COIL WASHER,#8,DUAL COIL		15	52902	VALVE-SOLENOID,2POS/2WAY.....1 <i>(FB, Oscillate float)</i>	
5	234599	VALVE, CHECK, DROP IN.....1 <i>(FJ, Steer circuit)</i>		--	104759	COIL,12VDC #8 DTSCH IP69 ECOIL <i>(sold separately)</i>	
6	234602	VALVE, DIRECTIONAL, P-COMP <i>(FG, Proportional valve circuit)</i>		--	44174	NUT-COIL SHORT	
--	234601	KIT, SEAL		--	44228	SEAL KIT, VALVE	
7	234603	VALVE, ELEC-PROP, 2W NC <i>(FL, Lift / Drive circuit)</i>		16	234608	VALVE, RELIEF, 3300 PSI.....1 <i>(FC, Oscillate circuit)</i>	
--	231092	COIL,10VDC #10 DTSCH NO DIODE <i>(sold separately)</i>		--	44227	SEAL KIT, VALVE	
--	44174	NUT-COIL SHORT		17	234609	VALVE, SOLENOID 3W-2P.....1 <i>(FD, Platform up)</i>	
--	44224	SEAL KIT, VALVE		--	231092	COIL,10VDC #10 DTSCH NO DIODE <i>(sold separately)</i>	
8	52374	VALVE,RELIEF,3000PSI,GS68PUMP1 <i>(FE, Lift circuit)</i>		--	44174	NUT-COIL SHORT	
--	44227	SEAL KIT, VALVE		--	62337	SEAL KIT, VALVE	
9	62815	VALVE,SOLENOID,2POS 3 WAY*** .....1 <i>(FO, Oscillate right)</i>		18	115206	RELIEF VALVE.....1 <i>(FF, Lift circuit)</i>	
--	104759	COIL,12VDC #8 DTSCH IP69 ECOIL <i>(sold separately)</i>		--	44224	SEAL KIT, VALVE	
--	44174	NUT-COIL SHORT		19	234610	REGULATOR, FLOW, 25GPM.....1 <i>(FA, Oscillate circuit)</i>	
--	52371	SEAL KIT, VALVE		--	62339	SEAL KIT,62329,SIZE 12, 3 WAY	
				20	234611	PLUG, PORT SAE#6 HX SOCK.....10	



701.1 Function Manifold  
(continued)

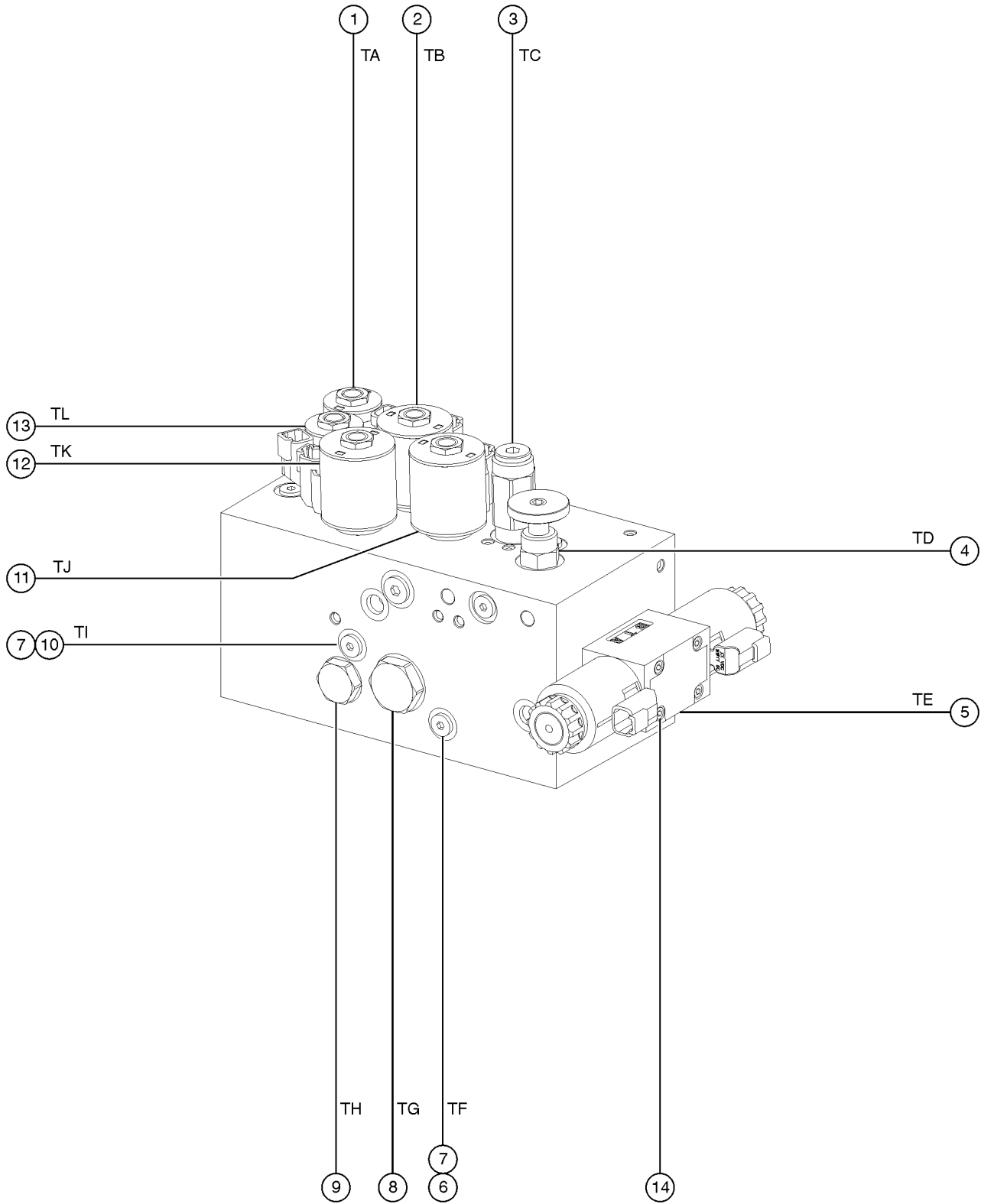
Item	Part No.	Description	Qty.
21	234612	PLUG, PORT SAE#4 HX SOCK.....1	





*This Page Intentionally Left Blank*

702.1 Traction Manifold, View 1

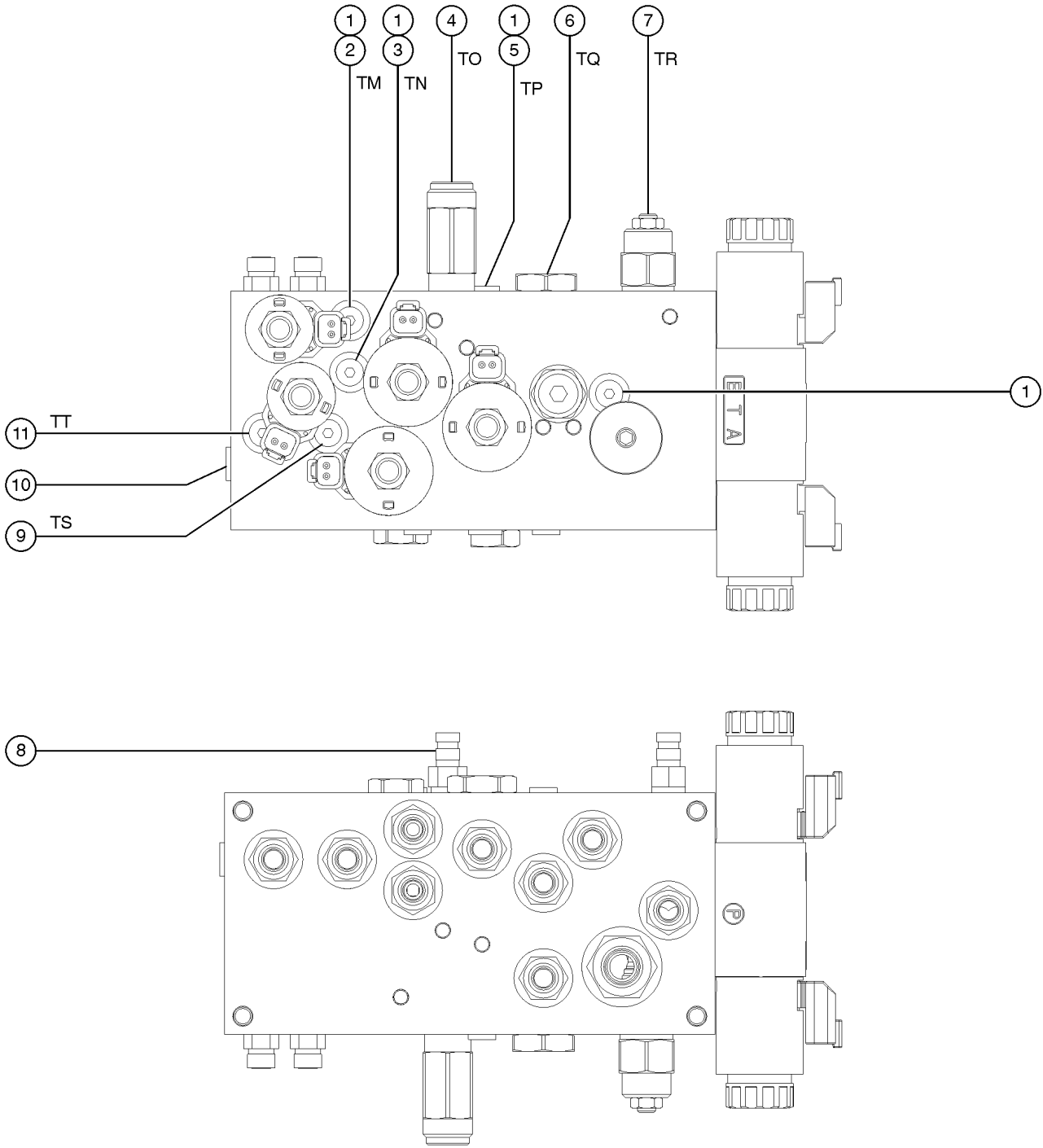


702.1 Traction Manifold, View 1

Item	Part No.	Description	Qty.	Item	Part No.	Description	Qty.
--		<i>Use the letter callouts to cross-reference with the Service Manual.</i>		11	52377	VALVE,SOLENOID,2POS2WY,NCGS68*.1 (TJ, Allows flow to bypass divider/combiner valve 7 in high drive)	
--	T113085	ASSY,TRACTION MANIFOLD,GS69 (manifold, complete)		--	104760	COIL,12VDC #10DTSCH IP69 ECOIL	
1	52897	VALVE,SOLENOID, 2POS/3WAY*** .....1 (TA, Brake release)		--	44174	NUT-COIL SHORT	
--	104759	COIL,12VDC #8 DTSCH IP69 ECOIL		--	52378	SEAL KIT,SOLENOID(52377)	
--	44174	NUT-COIL SHORT		12	52377	VALVE,SOLENOID,2POS2WY,NCGS68*.1 (TK, Allows flow to loop the steer end motors in high drive)	
--	52371	SEAL KIT, VALVE		--	104760	COIL,12VDC #10DTSCH IP69 ECOIL	
2	234769	VALVE, SOLENOID, 4W-2P.....1 (TB, Steer end drive motor circuit)		--	44174	NUT-COIL SHORT	
--	104760	COIL,12VDC #10DTSCH IP69 ECOIL		--	52378	SEAL KIT,SOLENOID(52377)	
--	44174	NUT-COIL SHORT		13	52897	VALVE,SOLENOID, 2POS/3WAY*** .....1 (TL, Two speed circuit)	
--	44230	SEAL KIT-P.N.44169,44172,44171		--	104759	COIL,12VDC #8 DTSCH IP69 ECOIL	
3	234770	VALVE, RELIEF, BI-DIR 8GPM.....1 (TC, Drive pressure circuit)		--	44174	NUT-COIL SHORT	
--	52371	SEAL KIT, VALVE		--	52371	SEAL KIT, VALVE	
4	234771	VALVE, NEEDLE, 10GPM (TD, Enables towing ability)		14	234777	BOLT, D03 MOUNTING.....4	
--	44228	SEAL KIT, VALVE					
5	97368	VLV,SOL,DO3,REXROTH,3POS 4 WAY.....1 (TE, Drive forward / reverse)					
--	102395	SEAL KIT,REXROTH DO3 VALVE					
--	102396	NUT-COIL,REXROTH DO3 VALVE					
--	104764	COIL,12V D03 ZENER DIODE					
6	52910	ORIFICE PLUG, 0.060.....1 (TF, Equalizes pressure on both sides of flow divider/combiner valve 17)					
7	234612	PLUG, PORT SAE#4 HX SOCK.....2					
8	234773	VALVE, FLOW DIV/COMB, 75-25....1 (TG, Controls flow to flow divider / combiner valves 8 and 17)					
--	234772	KIT, SEAL					
9	234774	VALVE, FLOW DIV/COMB, 50-50,12GPM.....1 (TH, Controls flow to steer end drive motors in forward and reverse)					
--	44230	SEAL KIT-P.N.44169,44172,44171					
10	52910	ORIFICE PLUG, 0.060.....1 (TI, Equalizes pressure on both sides of flow divider/combiner valve 8)					

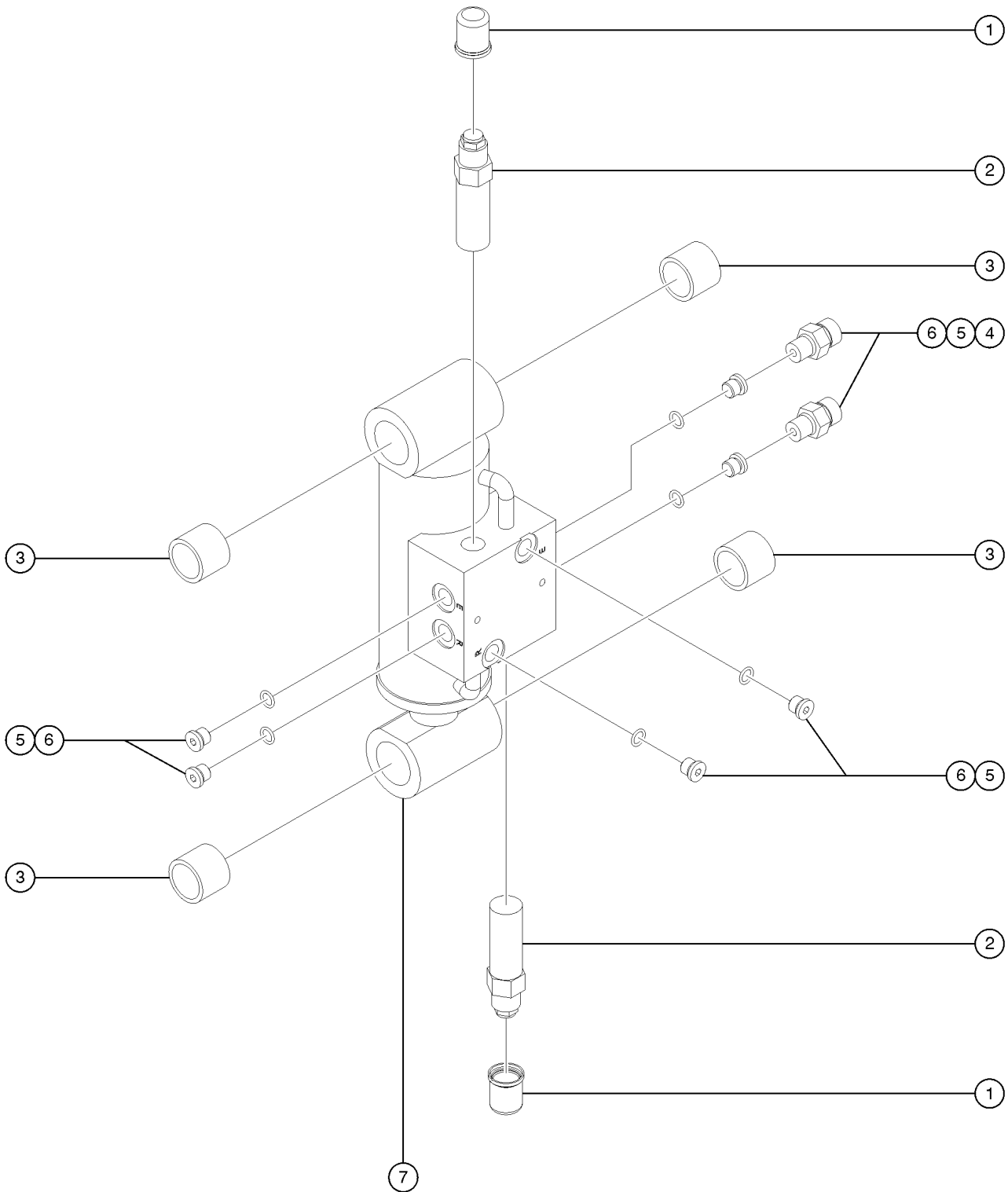


703.1 Traction Manifold, View 2



Item	Part No.	Description	Qty.
--		<i>Use the letter callouts to cross-reference with the Service Manual.</i>	
1	234612	PLUG, PORT SAE#4 HX SOCK.....4	
2	101067	ORIFICE PLUG,030,1/16-27 NPT....1 <i>(TM, Brake release)</i>	
3	101067	ORIFICE PLUG,030,1/16-27 NPT....1 <i>(TN, Two-speed circuit)</i>	
4	234775	VALVE, PRESS. REDUCING, 250PSI.....1 <i>(TO, Two-speed and brake circuit)</i>	
--	105695	SEAL KIT FOR 105628	
5	62207	ORIFICE PLUG, 0.035.....1 <i>(TP, Equalizes pressure on both sides of flow divider/combiner valve 7)</i>	
6	234776	VALVE, FLOW DIV/COMB,50-50, 24GPM.....1 <i>(TQ, Controls flow to non-steer end drive motors in forward and reverse)</i>	
--	234772	KIT, SEAL	
7	229079	VALVE, CV 4.5:1, 3500 PSI.....1 <i>(TR, Traction relief)</i>	
--	102685	SEAL KIT,SUN T-2A CP VALVE	
8	48997	NIPPLE,DIAGNOSTIC,#4 PORT*** .....1 <i>(testing port)</i>	
9	52907	VALVE-CHECK, #4 SAE, 5 PSI*.....1 <i>(TS, Two-speed circuit)</i>	
--	62341	SEAL KIT,52907,SIZE 4, 2 WAY	
10	234611	PLUG, PORT SAE#6 HX SOCK.....1	
11	52907	VALVE-CHECK, #4 SAE, 5 PSI*.....1 <i>(TT, Brake circuit)</i>	
--	62341	SEAL KIT,52907,SIZE 4, 2 WAY	

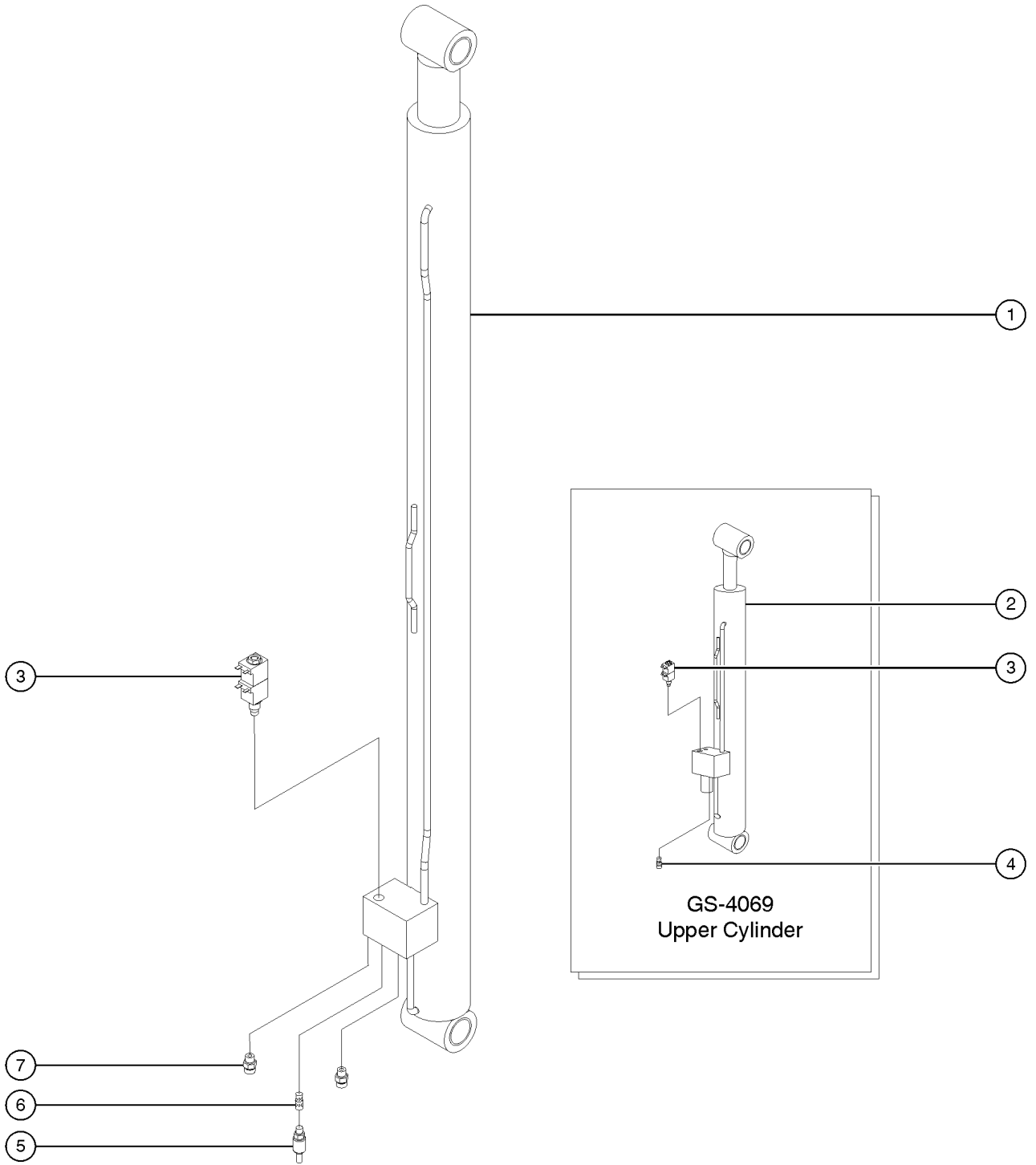
704.1 Oscillate Cylinders, All Models



704.1 Oscillate Cylinders, All Models

Item	Part No.	Description	Qty.
1	128085	CAP,SERIES 1 CB VALVE,SINGLE**.....	2
2	115402	VALVE,COUNTERBALNCE,3800 PSI.....	2
3	227492	BEARING,1.00IDX1.25ODX1.00L....	4
4	48905	CONN,520120-4***.....	2
5	39882	PLUG,HEX SOCKET,090109B-4....	6
6	53500	O-RING-4.....	6
7	131621	CYLINDER,OSCILATING,GS69..... <i>(includes items 1, 2, and 5)</i>	1
--	226380	SEAL KIT,226380	

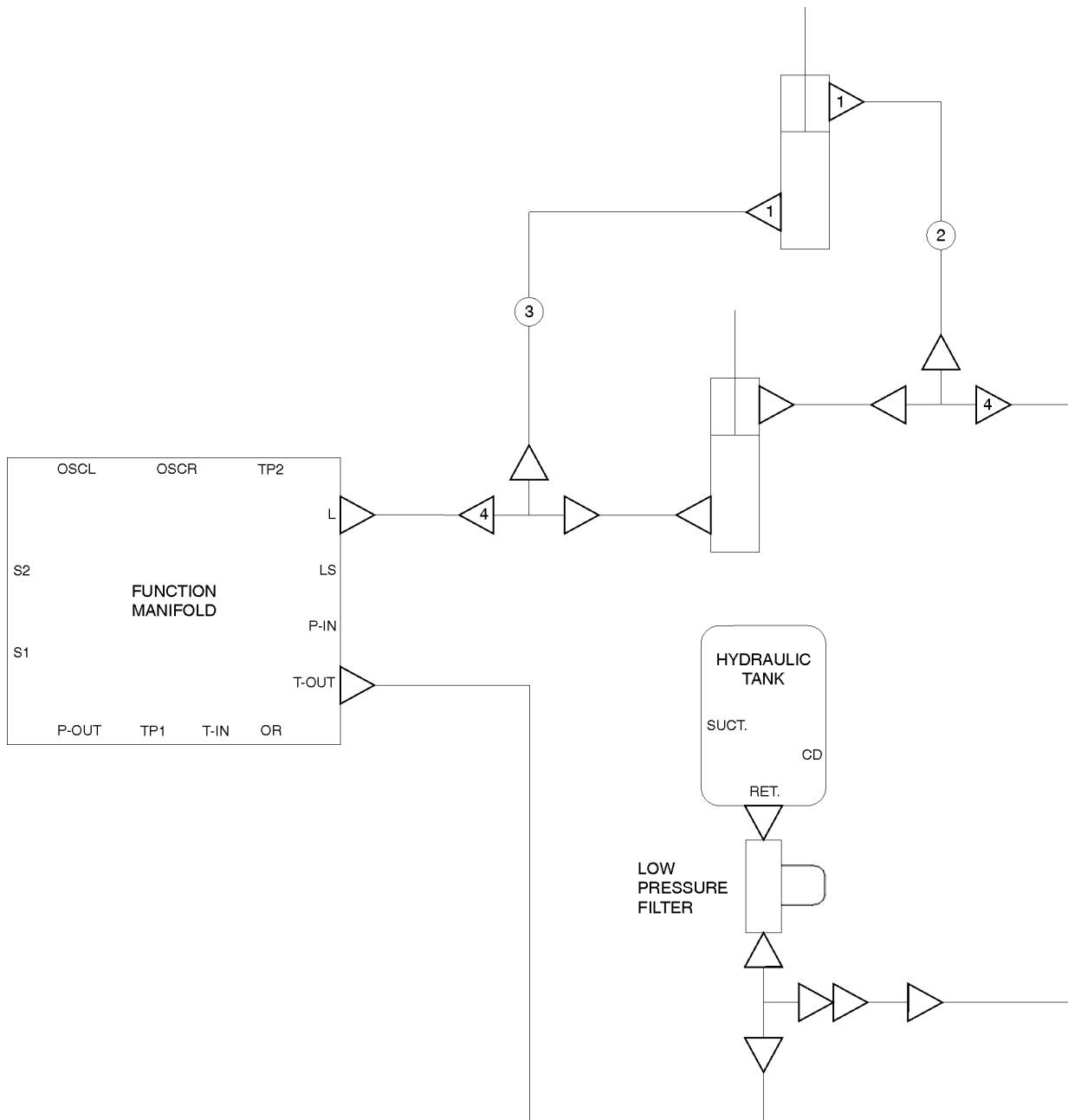
705.1 Lift Cylinders





Item	Part No.	Description	Qty.
1	131920	CYLINDER, LIFT, LOWER, GS69....1	
--	226378	SEAL KIT <i>for 131920</i>	
2	131921	CYLINDER,LIFT,UPPER,4069.....1 <i>GS-4069 RT</i>	
--	226379	SEAL KIT <i>(for 131921)</i>	
--	44227	SEAL KIT, VALVE	
--	97130	VALVE-RELIEF,2500PSI	
3	87190	VALVE,DOUBLE PULL SOL SQ 12V.....1	
--	44973	NUT,COIL (39909)	
--	84421	WASHER-SOLENOID VALVE (66683)*	
--	84423	VALVE,2 POSITION 2 WAY***	
--	87191	COIL,SQUARE,12VDC***	
4A	230858	ORIFICE,LONG, .086".....1 <i>GS-2669RT, GS-3369RT</i>	
4B	55559	ORIFICE,LONG, .046".....1 <i>GS-4069 RT</i>	
5	104935	SWITCH, PRESSURE,0-3000PSI ADJ.....1 <i>(refer to 408.1 for harness assembly)</i>	
6	230858	ORIFICE,LONG, .086"	
7	48916	FITTING,CONN,520120-6.....1	

706.1 Hydraulic Hoses and Fittings, Lift Cylinder, GS-4069 RT

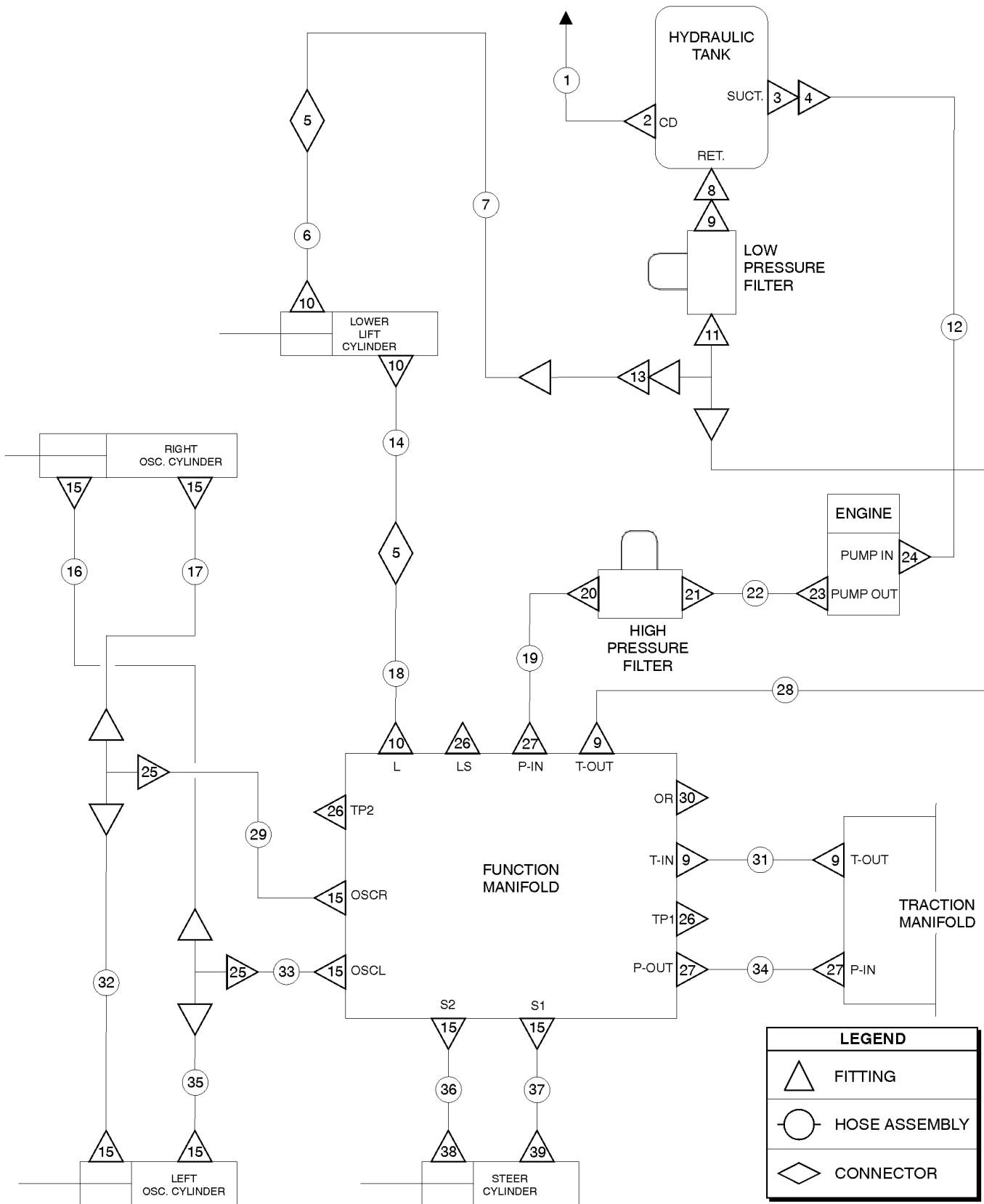


LEGEND	
	FITTING
	HOSE ASSEMBLY
	CONNECTOR

706.1 Hydraulic Hoses and Fittings, Lift Cylinder, GS-4069 RT

Item	Part No.	Description	Qty.
1	48916	FITTING,CONN,520120-6.....	2
2	227479	HOSE ASSY,RET(ULCYL)-RET(TEE)..... <i>(components: 48812, 48816, 48753 @ 410 inches)</i>	1
3	227478	HOSE ASSY,PRESS(TEE)-PRESS(ULC.... <i>(components: 48812, 48816, 56776 @ 410 inches)</i>	1
4	227614	TEE,BULKHEAD,RUN,520120-6.....	2

707.1 Hydraulic Hoses and Fittings, View 1

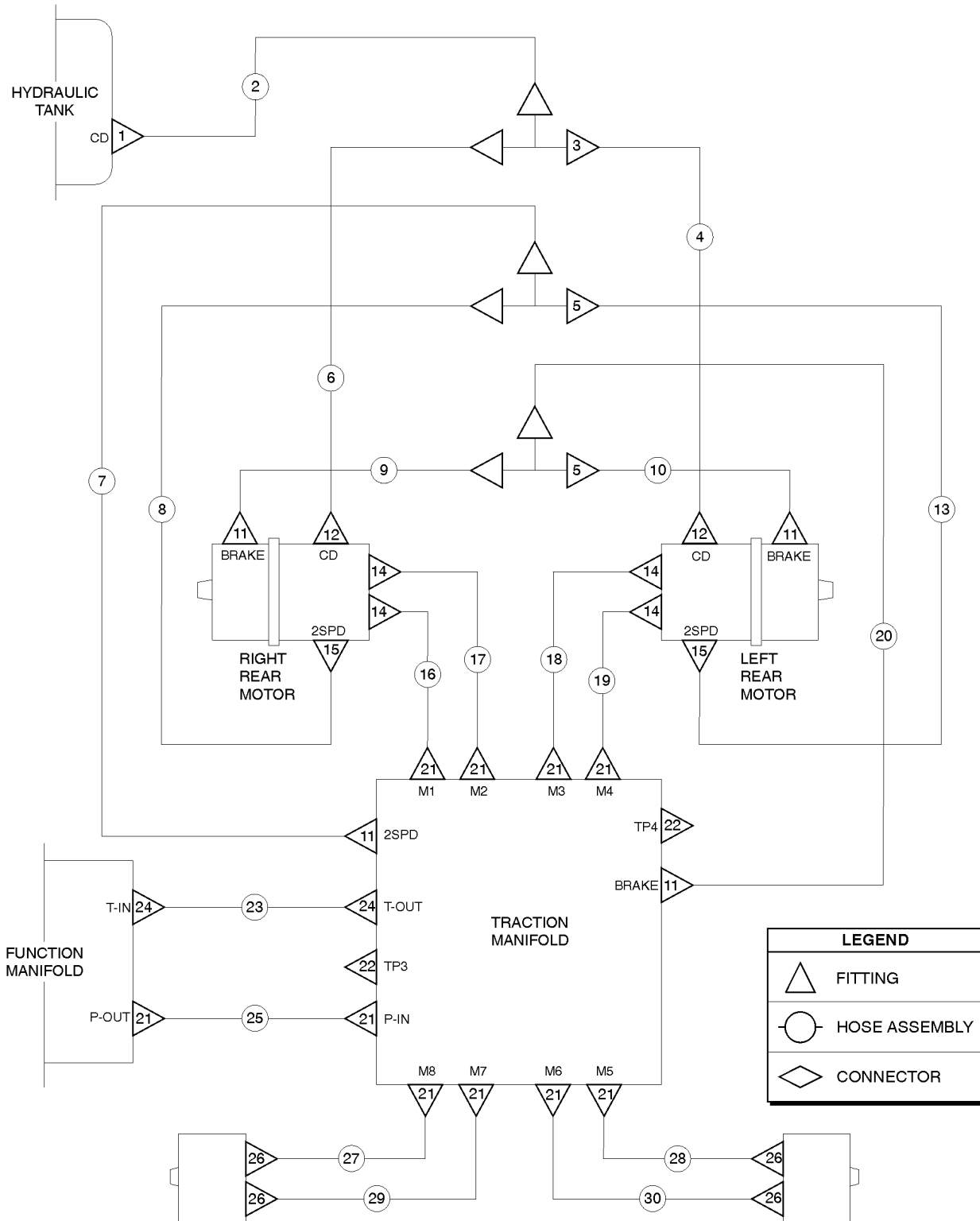


707.1 Hydraulic Hoses and Fittings, View 1

Item	Part No.	Description	Qty.	Item	Part No.	Description	Qty.
1	227462	HOSE ASSY, CD(TEE)-CD(TANK).....1 (components: 70640, 77949, 75631 @ 72 inches)	1	22	227476	HOSE ASSY,OUT(PUMP)-HP FILTER.....1 (components: 48822, 48826, 56777 @ 43 inches)	1
2	48915	ELBOW,90D,520220-6.....1	1	23	139877	ELBOW,90D,520220-8-10.....1	1
3	101490	STRAINER,16 SAE F/24 SAE M....1	1	24	48985	ELBOW,45D,520320-16.....1	1
4	229625	CONN, LONG, ORFS-ORB, -16-16.....1	1	25	48909	TEE,BULKHEAD,RUN,520958-4....2	2
5	227613	UNION,BULKHEAD,ORFS,-6-6.....2	2	26	48997	NIPPLE,DIAGNOSTIC,#4 PORT***.....3	3
6	227473	HOSE ASSY,RET(LLCYL)-RET(TEE).....1 (components: 48812, 48812, 48753 @ 128 inches)	1	27	48933	CONN,520120-8***.....2	2
7	227474	HOSE ASSY,RET(TEE)-TANK.....1 (components: 48812, 48812, 48753 @ 75 inches)	1	28	227470	HOSE ASSY,T.OUT(F.MF)-TANK....1 (components: 48809, 56354, 39889 @ 22 inches)	1
8	229305	CONN, FFSS-MORB, 520181-12....1	1	29	227609	HOSE ASSY,OSCR(F.MF)-OSC(TEE).....1 (components: 48800, 48800, 48751 @ 74 inches)	1
9	48960	FITTING,CONN,520120-12.....3	3	30	48883	PLUG,HEX,090109A-8***.....1	1
10	48916	FITTING,CONN,520120-6.....3	3	31	227465	HOSE ASSY,T.OUT(T.MF)-T.IN(F.M.....1 (components: 48841, 48841, 48761 @ 24 inches)	1
11	48961	TEE,RUN,520428-12.....1	1	32	227610	HOSE ASSY,OSC(TEE)-R(L.OSC.CYL.....1 (components: 48800, 48802, 48751 @ 19.5 inches)	1
12	227475	HOSE ASSY,SUCT(TANK)-IN(PUMP).....1 (components: 229624, 48854, 48767 @ 48 inches)	1	33	227468	HOSE ASSY,OSC(F.MF)-OSC(TEE).....1 (components: 48800, 48800, 48751 @ 74 inches)	1
13	87033	REDUCER,520123-12-6.....1	1	34	227464	HOSE ASY,P.OUT(F.MF)-P.IN(T.MF.....1 (components: 48822, 48822, 56777 @ 24 inches)	1
14	227472	HOSE ASSY,PRESS(TEE)-PRESS(LLC....1 (components: 48812, 48812, 56776 @ 128 inches)	1	35	227469	HOSE ASSY,OSC(TEE)-E(L.OSC.CYL.....1 (components: 48800, 48802, 48751 @ 19.5 inches)	1
15	48905	CONN,520120-4***.....8	8	36	227467	HOSE ASSY,S2(F.MF)-R(STRCYL).....1 (components: 48800, 48801, 48751 @ 81 inches)	1
16	227611	HOSE ASSY,OSC(TEE)-E(R.OSC.CYL.....1 (components: 48800, 48802, 48751 @ 19.5 inches)	1	37	227466	HOSE ASSY,S1(F.MF)-B(STRCYL).....1 (components: 48800, 48801, 48751 @ 74 inches)	1
17	227612	HOSE ASSY,OSC(TEE)-R(R.OSC.CYL.....1 (components: 48800, 48802, 48751 @ 19.5 inches)	1	38	48911	ELBOW,90D,520220-4-6***.....1	1
18	227471	HOSE ASSY,LIFT(F.MF)-P(TEE)....1 (components: 48812, 48812, 56776 @ 62 inches)	1	39	48912	CONN,520120-4-6***.....1	1
19	227477	HOSE ASSY,HP FILTER-P.IN(F.MF).....1 (components: 48822, 48826, 56777 @ 65 inches)	1				
20	48947	ELBOW,90D,520220-8-12.....1	1				
21	48948	CONN,520120-8-12.....1	1				



708.1 Hydraulic Hoses and Fittings, View 2

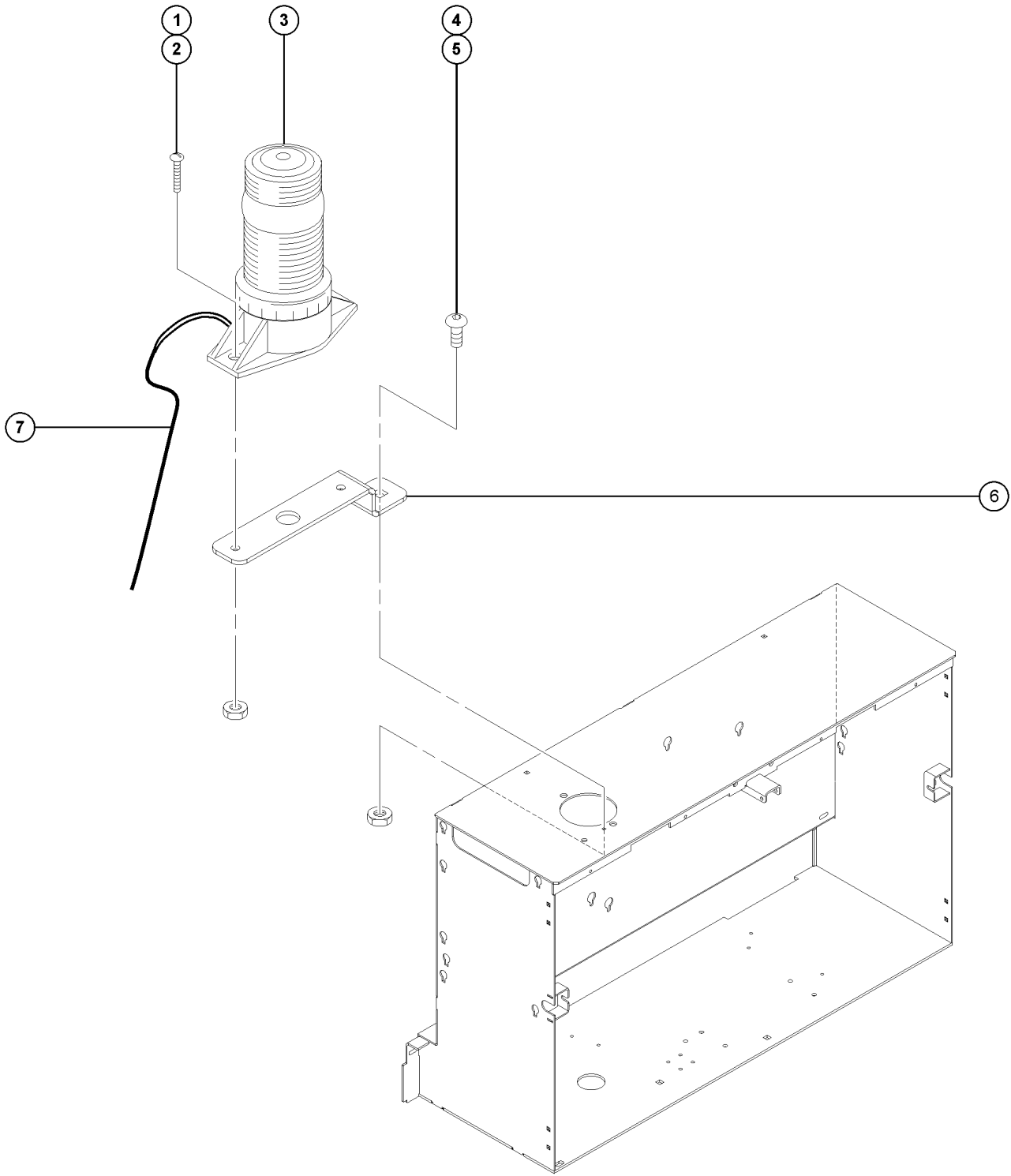


708.1 Hydraulic Hoses and Fittings, View 2

Item	Part No.	Description	Qty.	Item	Part No.	Description	Qty.
1	48915	ELBOW,90D,520220-6		18	227459	HOSE ASSY,M3(T.MF)-A(LR.MTR).....1 (components: 48822, 48822, 56777 @ 76 inches)	
2	227462	HOSE ASSY, CD(TEE)-CD(TANK) (components: 70640, 77949, 75631 @ 72 inches)		19	227601	HOSE ASSY, M4(T.MF)-B(LR.MTR).....1 (components: 48822, 48822, 56777 @ 76 inches)	
3	227614	TEE,BULKHEAD,RUN,520120-6.....1		20	227460	HOSE ASSY,BRK(T.MF)-BRK(TEE).....1 (components: 48800, 48802, 48751 @ 56 inches)	
4	227463	HOSE ASSY, CD(LR.MTR)-CD(TEE).....1 (components: 77949, 77949, 75631 @ 28 inches)		21	48933	CONN,520120-8*** .....9	
5	48909	TEE,BULKHEAD,RUN,520958-4.....2		22	48997	NIPPLE,DIAGNOSTIC,#4 PORT*** .....2	
6	227608	HOSE ASSY,CD(RR.MTR)-CD(TEE).....1 (components: 77949, 77949, 75631 @ 28 inches)		23	227465	HOSE ASSY,T.OUT(T.MF)-T.IN(F.M).....1 (components: 48841, 48841, 48761 @ 24 inches)	
7	227604	HOSE ASSY,2SPD(T.MF)-2SPD(TEE).....1 (components: 48800, 48802, 48751 @ 56 inches)		24	48960	FITTING,CONN,520120-12.....1	
8	227607	HOSE ASSY,2SP(TEE)-2SP(RR.MTR).....1 (components: 48800, 48800, 48751 @ 30 inches)		25	227464	HOSE ASY,P.OUT(F.MF)-P.IN(T.MF).....1 (components: 48822, 48822, 56777 @ 24 inches)	
9	227605	HOSE ASSY,BRK(TEE)-BRK(RR.MTR).....1 (components: 48800, 48800, 48751 @ 30 inches)		26	48943	FITTING,CONN,520120-8-6.....4	
10	227461	HOSE ASSY,BRK(TEE)-BRK(LR.MTR).....1 (components: 48800, 48800, 48751 @ 30 inches)		27	227600	HOSE ASSY, M8(T.MF)-A(RF.MTR).....1 (components: 48822, 48825, 56777 @ 86 inches)	
11	48905	CONN,520120-4*** .....4		28	227458	HOSE ASSY,M5(T.MF)-A(LF.MTR).....1 (components: 48812, 48815, 56776 @ 19 inches)	
12	48929	FITTING,ELBOW,90D,520220-6-8** .2		29	227599	HOSE ASSY, M7(T.MF)-B(RF.MTR).....1 (components: 48822, 48825, 56777 @ 86 inches)	
13	227606	HOSE ASSY,2SP(TEE)-2SP(LR.MTR).....1 (components: 48800, 48800, 48751 @ 30 inches)		30	227598	HOSE ASSY, M6(T.MF)-B(LF.MTR).....1 (components: 48822, 48825, 56777 @ 86 inches)	
14	48947	ELBOW,90D,520220-8-12.....4					
15	48912	CONN,520120-4-6*** .....2					
16	227602	HOSE ASSY, M1(T.MF)-B(RR.MTR).....1 (components: 48822, 48822, 56777 @ 76 inches)					
17	227603	HOSE ASSY, M2(T.MF)-A(RR.MTR).....1 (components: 48822, 48822, 56777 @ 76 inches)					



801.1 Flashing and Motion Beacon

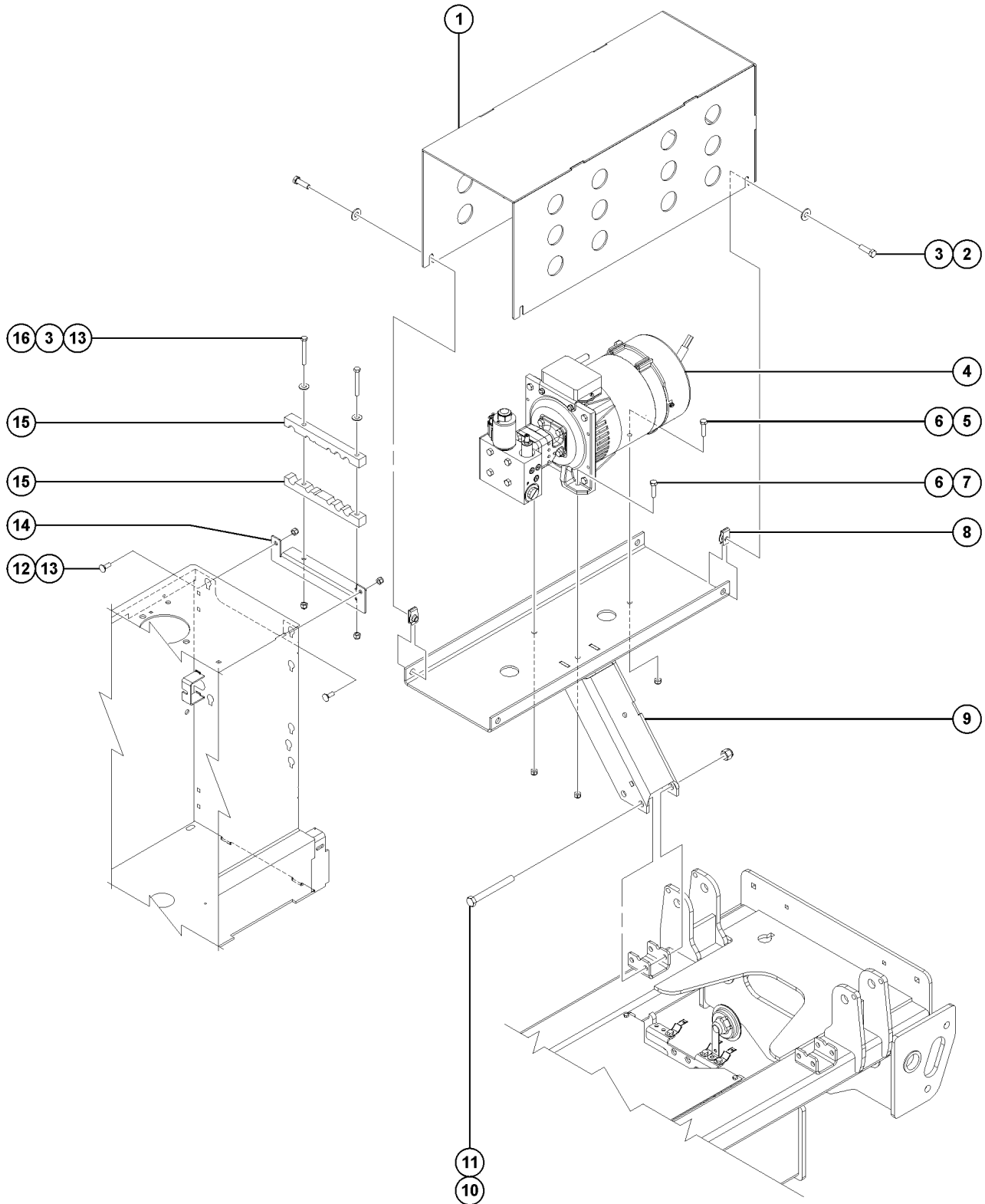




801.1 Flashing and Motion Beacon

Item	Part No.	Description	Qty.
1	49816	SCREW,PHILLIPS,PHM,10-32 X .75	
2	6178	NUT,NYLOCK,10-32	
3	87265	BEACON LIGHT ASSY.....2	
--	105556	LENS,FLASHING BEACON <i>for 87265</i>	
--	105557	BULB,FLASHING BEACON <i>for 87265</i>	
4	6878	BOLT,CARRIAGE,1/4-20 X .75,G2	
5	6091	NUT,NYLOCK,1/4-20	
6	79374	FORMING,BEACON MOUNT.....2	
7	148076	HARNES,BEACON,GS69	

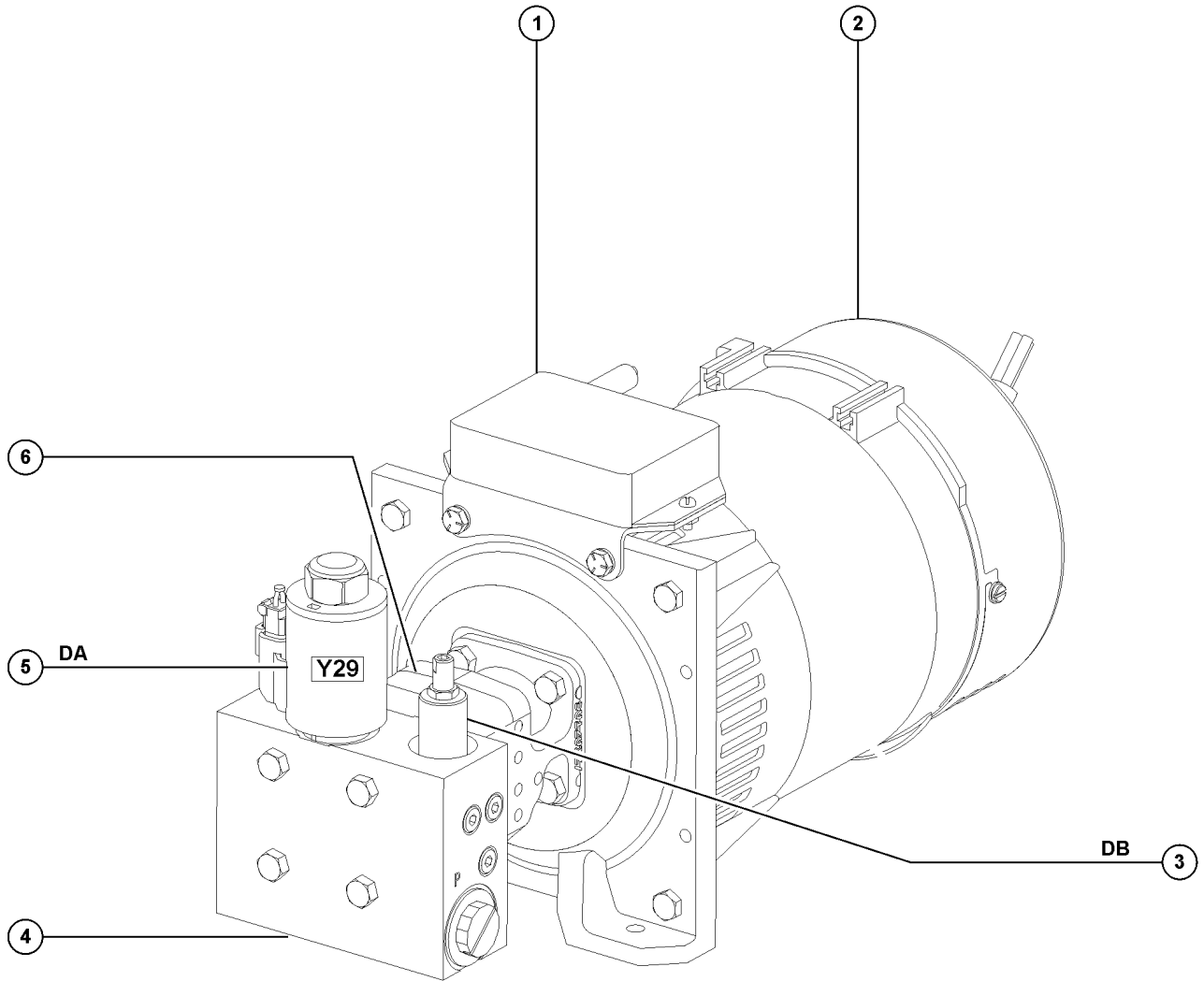
802.1 Generator Installation



802.1 Generator Installation

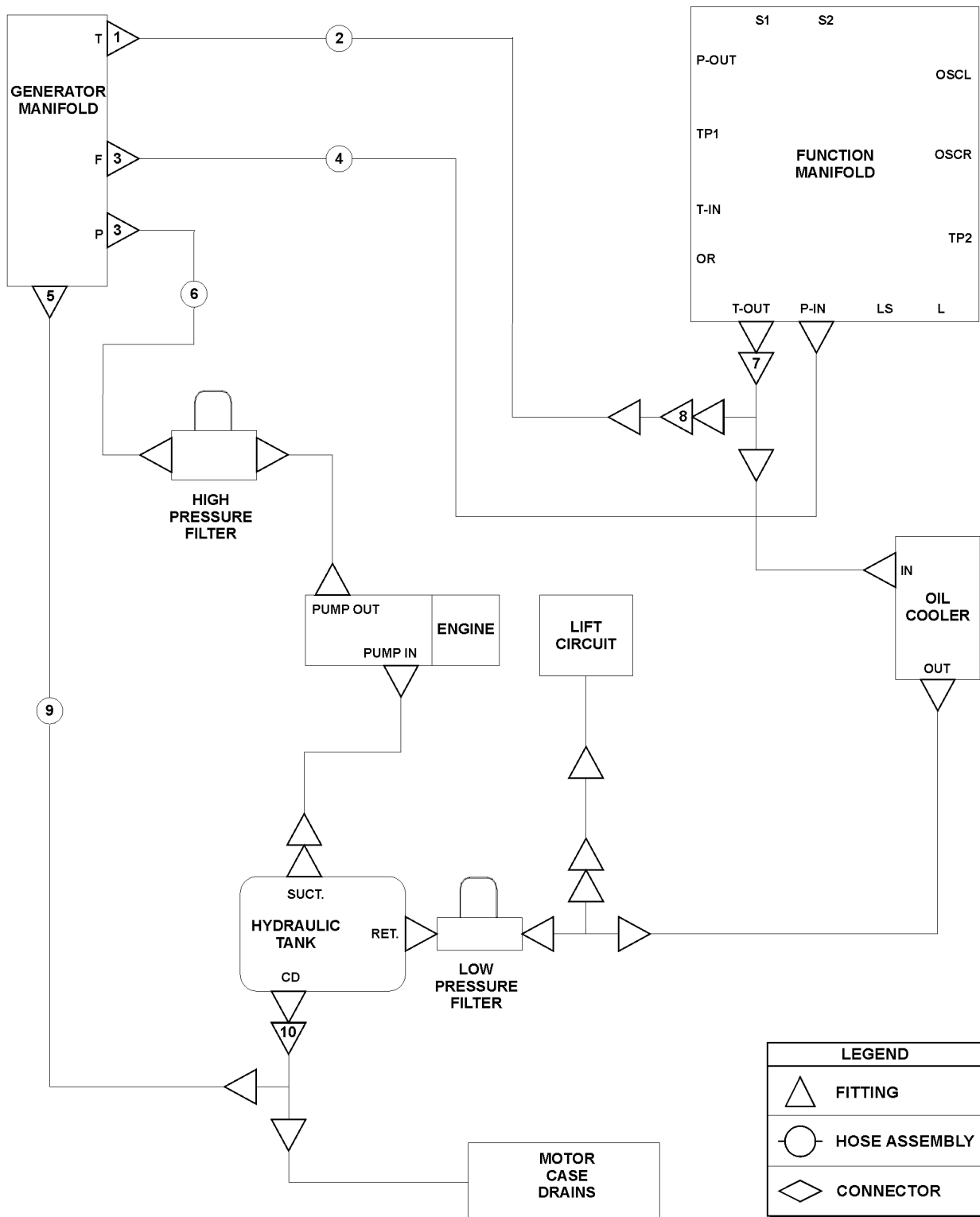
Item	Part No.	Description	Qty.
--		WIRE HARNESS <i>(refer to 408.1)</i>	
--	45470	CLAMP,0.31,#5 X 1/4,RUB CUSH....1	
1	148296	WELDMENT,GEN COVER,GS69.....1	
2	6019	SCREW,HHC,3/8-16 X 1.25 GRD 5	
3	6097	WASHER,FLAT,USS,3/8",Y	
4		Ref. Generator <i>(refer to 803.1)</i>	
5	13002	SCREW,HHC,5/16-18 X 1 GR5	
6	13000	SCREW,HHC,5/16-18 X 1.25	
7	6782	NUT,NYLOCK,5/16-18	
8	29868	SPRING CLIP,3/8-16.....4	
9	148304	WELDMENT,GEN MOUNT,GS69.....1	
10	13854	SCREW,HHC,1/2-13 X 4.5,GRD.8...2	
11	6198	NUT,NYLOCK,1/2-13	
12	73466	BOLT,CARRIAGE,3/8-16 X 1.00,G2	
13	4828	NUT,NYLOCK,3/8-16	
14	148302	FORMING,GEN HOSE CLAMP MOUNT.....1	
15	215475	CLAMP,GENERATOR HOSE,GS69.....2	
16	6326	SCREW,HHC,3/8-16 X 3	

803.1 Generator



Item	Part No.	Description	Qty.
--		<i>Use the letter callouts to cross-reference with the Service Manual.</i>	
--	139953	GENERATOR, 3kW, 120V/60Hz 60 Hz	
--	139954	GENERATOR, 3kW, 240V/50Hz 50 Hz	
--	147239	BREAKER, 25 AMP, GEN 60 Hz	
--	147258	BREAKER, 15 AMP, GEN 50 Hz	
1	147279	CONTROLLER BOX, 120/240V, 50H.....1	1
--	147228	CONTROLLER BOX, 120/240V, 60H	
2	147262	COVER, END, GEN, 240V.....1 50 Hz	1
--	147241	COVER, END, GEN, 120V 60 Hz	
3	147233	VALVE, RELIEF, GEN, 3.0kW.....1 (DB, Generator circuit)	1
4	147229	MANIFOLD ASSEMBLY, GEN.....1 complete (includes items 3 & 5)	1
5	147232	12VDC PROPORTIONAL VALVE.....1 (DA, Generator speed)	1
6	147230	207 HYD MOTOR ASSY, GEN.....1	1
--	147231	SEAL KIT, HYD MOTOR, GEN	

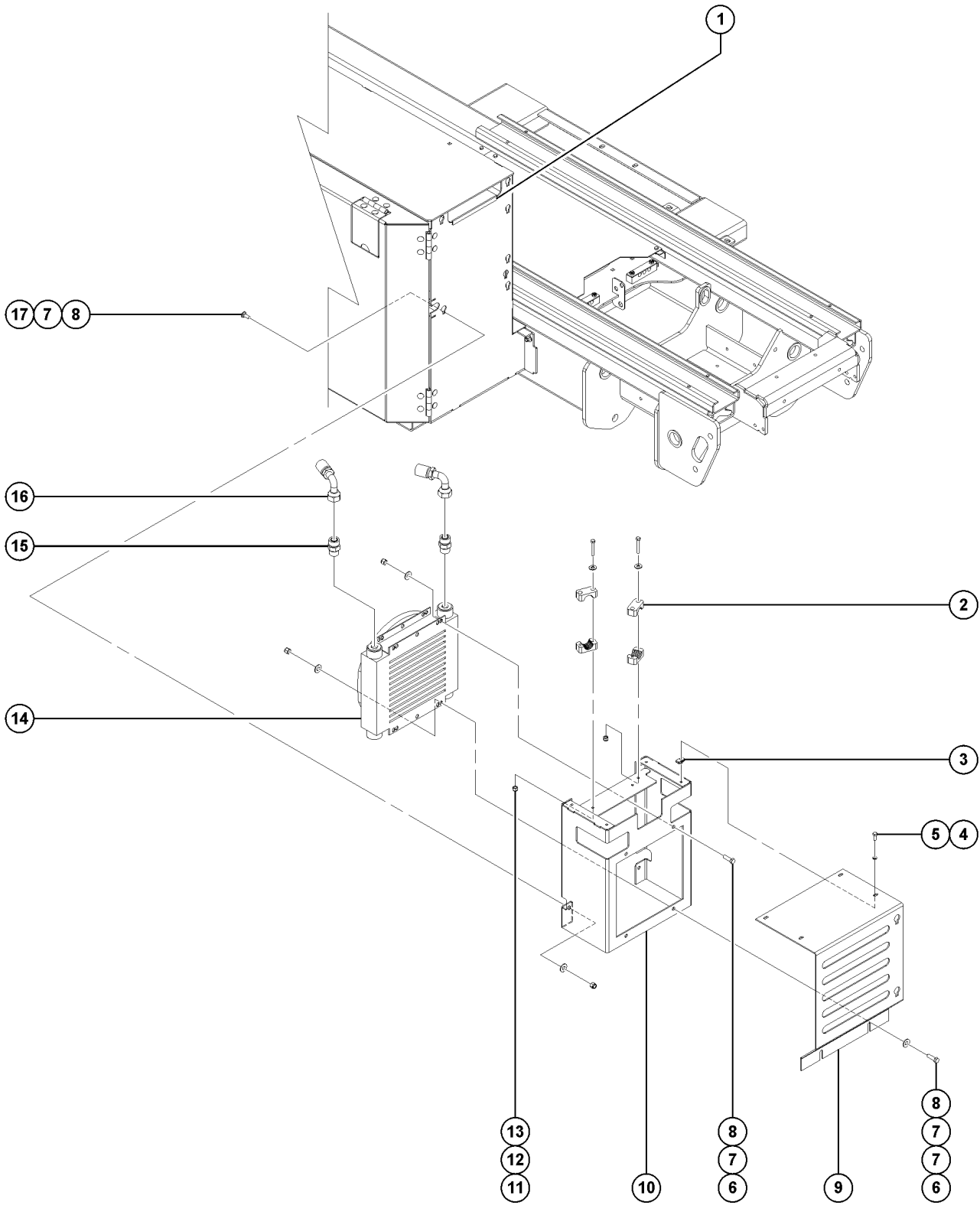
804.1 Hydraulic Hoses and Fittings, Generator



## 804.1 Hydraulic Hoses and Fittings, Generator

Item	Part No.	Description	Qty.
1	48933	CONN,520120-8***.....1	1
2	227484	HOSE ASSY,T(GEN)-T.OUT(F.MF).....1 (components: 48822, 48825, 48756 @ 78 inches)	1
3	48947	ELBOW,90D,520220-8-12.....2	2
4	227483	HOSE ASSY,F(GEN)-P.IN(F.MF).....1 (components: 48822, 48822, 56777 @ 78 inches)	1
5	49861	CONN,LONG,520122-4.....1	1
6	227482	HOSE ASSY,HPFILTER-P(GEN).....1 (components: 48822, 48826, 56777 @ 122 inches)	1
7	227720	TEE,RUN,FEMSW,520432-12.....1	1
8	51580	FITTING,REDUCER,520123-12-8***.1	1
9	227485	HOSE ASSY,CD(GEN)-CD(TANK).....1 (components: 48800, 48811, 48751 @ 48 inches)	1
10	48875	TEE,RUN,SWIVEL,520432-6.....1	1

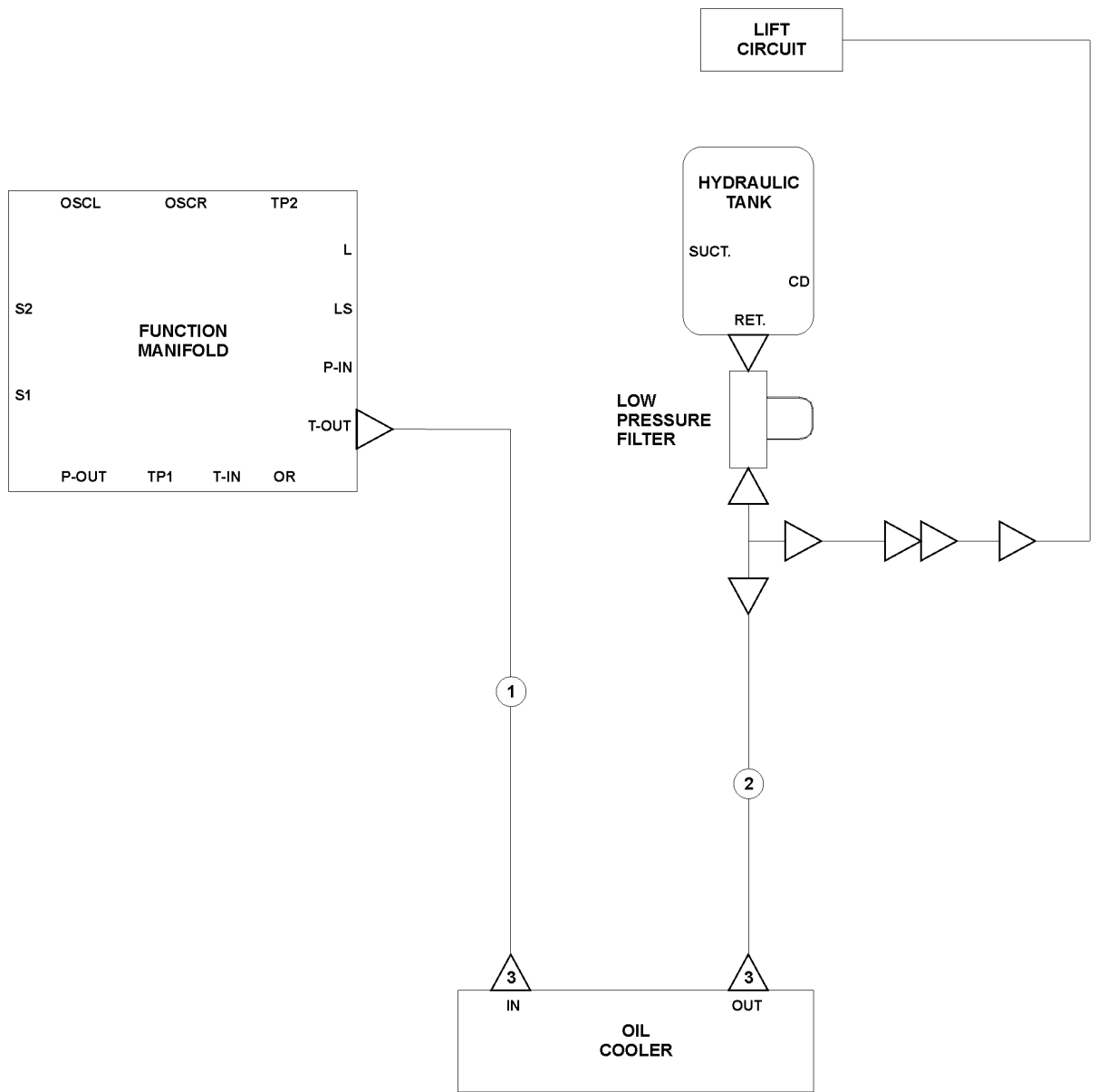
805.1 Oil Cooler


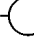
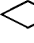




Item	Part No.	Description	Qty.
--	34052	RELAY,SPDT,12V(AUTO) PLUG IN**	
--	34053	ASSY,RELAY SOCKET, AUTO	
--	67504	FUSE HOLDER,ATC 3-30 AMPS	
--	79015	FUSE,20 AMP,ATC	
--	-	Ref. Oil Cooler Wire Harness (refer to 408.1)	
1	46718	TRIMLOCK,BLACK,3/16....9.5-inches	
2	117773	CLAMP HALVES,SINGLE,1-1/8" T....4	
3	56912	SPRING CLIP,1/4-20,.025-.15X.5.....4	
4	6090	SCREW,HHC,1/4-20 X .75	
5	6356	WASHER,LOCK,.25	
6	6019	SCREW,HHC,3/8-16 X 1.25 GRD 5	
7	6097	WASHER,FLAT,USS,3/8",Y	
8	4828	NUT,NYLOCK,3/8-16	
9	219696	FORMING,OIL COOLER COVER,GS69	
10	219695	WELDMENT,OIL COOLER MOUNT,GS69	
11	6091	NUT,NYLOCK,1/4-20	
12	6638	SCREW,HHC,1/4-20 X 1.75	
13	8179	SCREW,HHC,1/4-20 X 2.25	
14	71259	OIL COOLER W/FAN, 12VDC.....1	
--	75854	FAN - VENTED	
--	75855	THERMOSTAT -OIL COOLER (71259)	
15	48960	FITTING,CONN,520120-12.....2	
16	48846	HOSE END,FEMSW,90D,ORFS,-12-12.....2	
17	64154	BOLT,CARRIAGE,3/8-16 X1.00,G5	

806.1 Hydraulic Hoses and Fittings, Oil Cooler



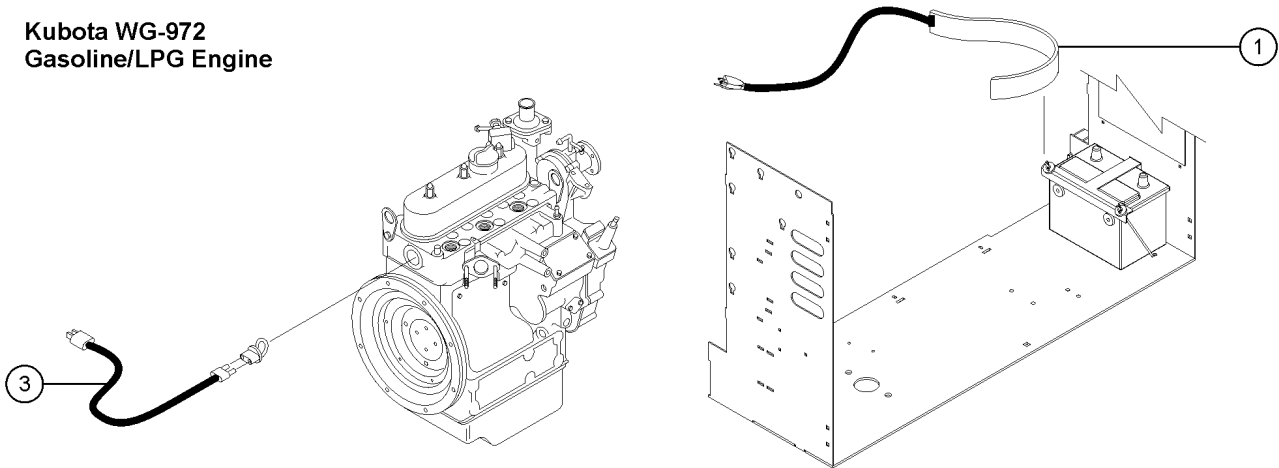
LEGEND	
	FITTING
	HOSE ASSEMBLY
	CONNECTOR

806.1 Hydraulic Hoses and Fittings, Oil Cooler

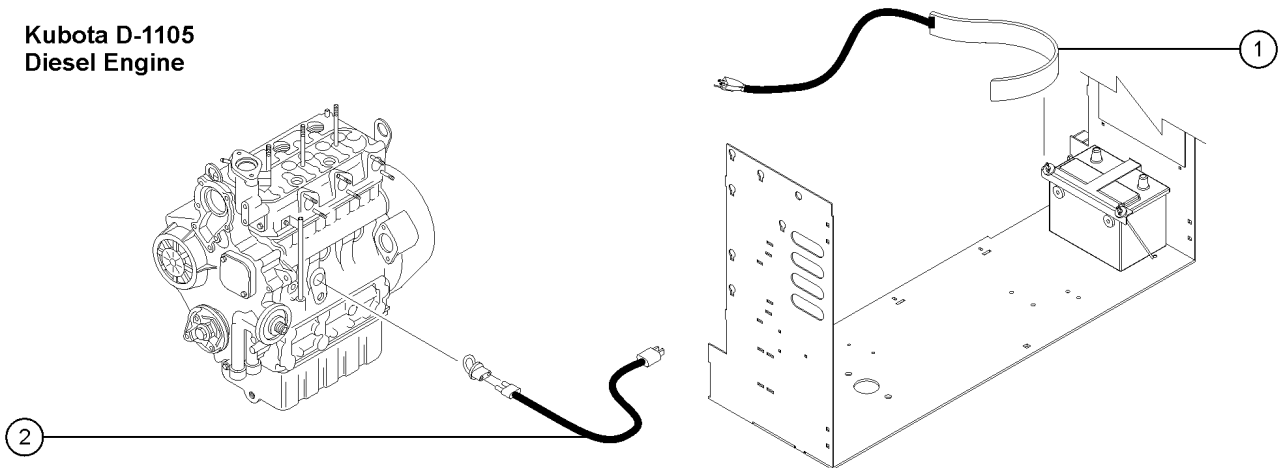
Item	Part No.	Description	Qty.
1	227480	HOSE ASSY,T.OUT(F.MF)-IN(OC).....1 <i>(components: 48809, 56354, 39889 @ 50 inches)</i>	
2	227481	HOSE ASSY,OUT(OC)-TANK.....1 <i>(components: 48809, 56354, 39889 @ 34 inches)</i>	
3	48960	FITTING,CONN,520120-12.....2	

807.1 Cold Start Installation

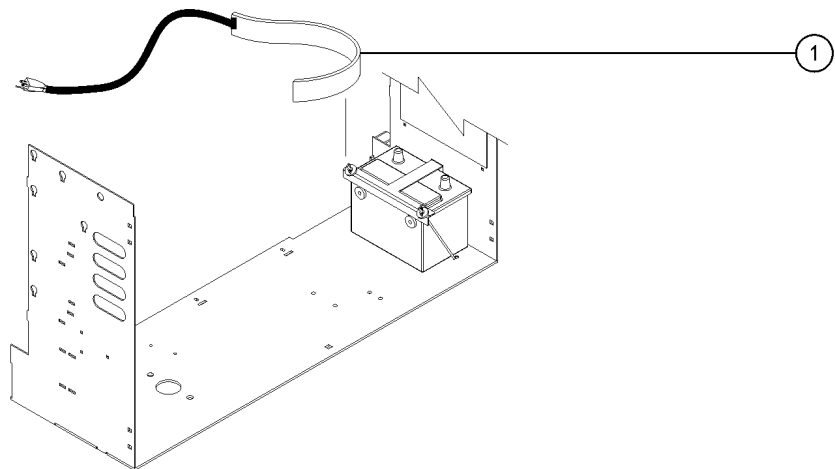
**Kubota WG-972  
Gasoline/LPG Engine**



**Kubota D-1105  
Diesel Engine**



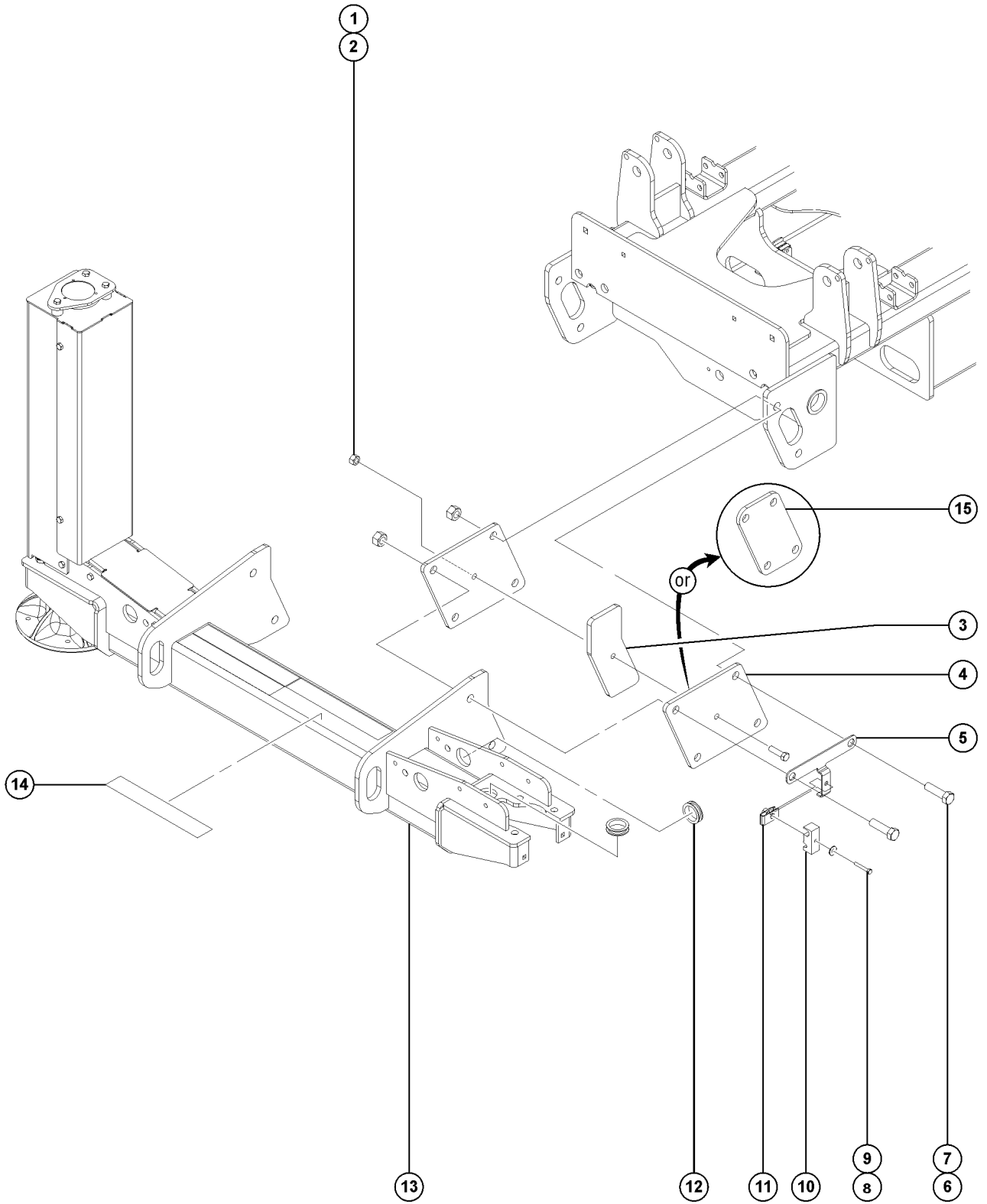
**Perkins 403D-11  
Diesel Engine**



807.1 Cold Start Installation

Item	Part No.	Description	Qty.
1	28853	BLANKET,BATTERY.....	1
2	42489	FREEZE PLUG HEATER,Z34IC/BE..... <i>Kubota D-1105 Diesel models</i>	1
3	139247	FREEZE PLUG HEATER,DF972,Z34..... <i>Kubota WG-972 Gasoline/LPG models</i>	1

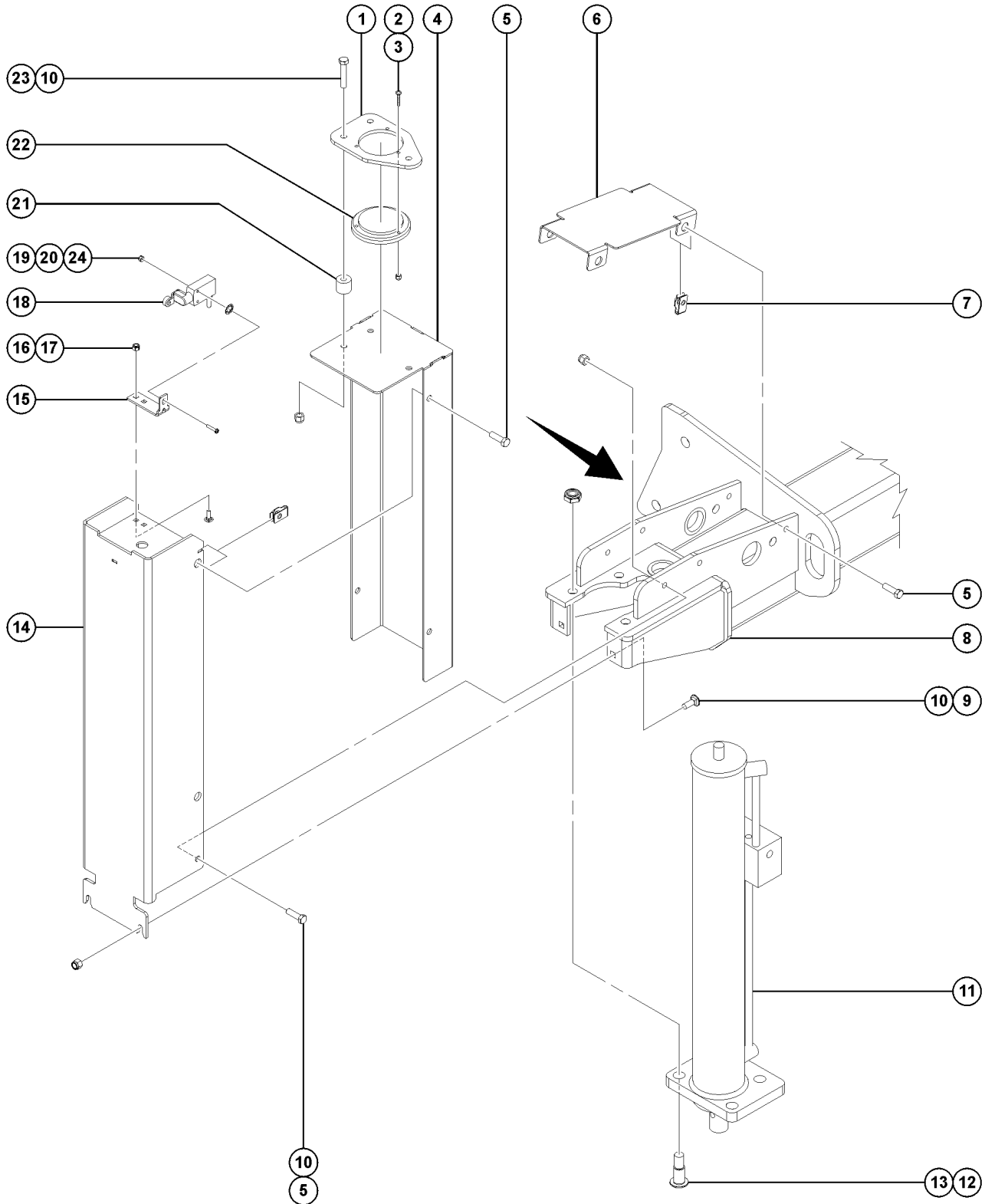
808.1 Outrigger Installation, View 1



## 808.1 Outrigger Installation, View 1

Item	Part No.	Description	Qty.
1	6178	NUT,NYLOCK,10-32.....2 <i>(steer end)(models with high floatation tires)</i>	2
2	6096	SCREW,HHC,1/2-13 X 2 GR5.....2 <i>(steer end)(models with high floatation tires)</i>	2
3	160740	PLATE,O/R SPACER, HI FLOAT.....2 <i>(steer end)(models with high floatation tires)</i>	2
4	160739	PLATE, O/R MOUNT, HI FLOAT.....4 <i>(steer end)(models with high floatation tires)</i>	4
5A	160744	FORM,O/R FRONT CLAMP,HI FLOAT.....2 <i>(steer end) (models with high floatation tires)</i>	2
5B	148409	FORMING,O/R FRONT CLAMP.....2 <i>(steer end) (models without high floatation tires)</i>	2
6	51428	SCREW,HHC,3/4-10 X 2.75.....8	8
7	10258	NUT,NYLOCK,3/4-10.....8	8
8	6637	SCREW,HHC,1/4-20 X 1.75.....2 <i>(steer end)</i>	2
9	6638	WASHER,FLAT,USS,1/4"Y.....2 <i>(steer end)</i>	2
10	148410	CLAMP,#4 HOSE,CLAMP.....2 <i>(steer end)</i>	2
11	56912	SPRING CLIP,1/4-20,.025-.15X.5.....2 <i>(steer end)</i>	2
12	47238	GROMMET,RUBBER 1.5 ID.....8	8
13	-	Ref.WELDMENT,OUTRIGGER YOKE <i>(refer to 809.1)</i>	
14	148329	TAPE,NON-SKID,2"X14".....2	2
15	148046	PLATE,OUTRIGGER MOUNT.....4 <i>(non-steer end and steer end models without high floatation tires)</i>	4

809.1 Outrigger Installation, View 2

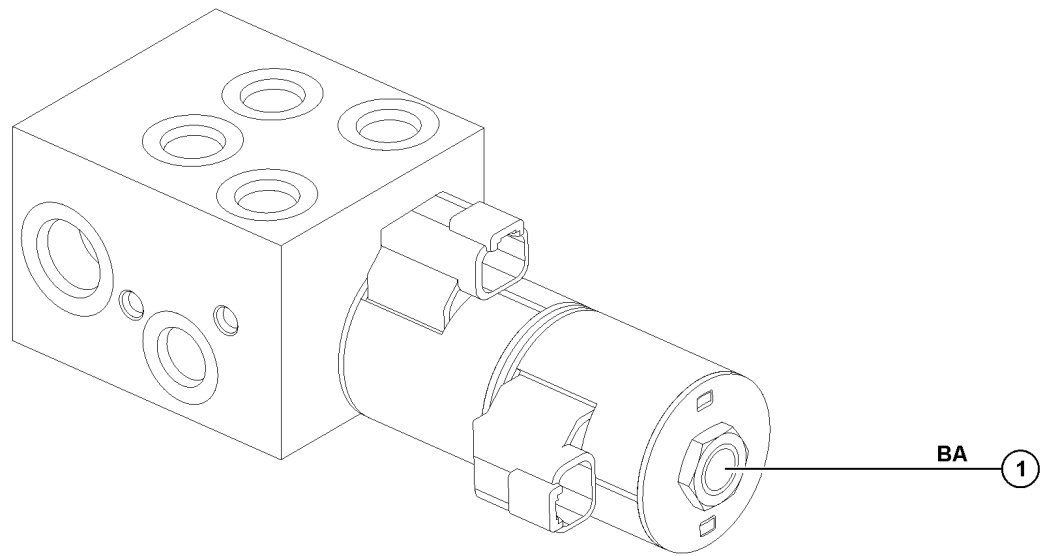




## 809.1 Outrigger Installation, View 2

Item	Part No.	Description	Qty.
1	87002	PLATE,BUBBLE LEVEL MOUNT.....1	
2	49816	SCREW,PHILLIPS,PHM,10-32 X .75	
3	6178	NUT,NYLOCK,10-32	
4	148001	WELDMENT,O/R SWITCH COVER.....4	
5	6019	SCREW,HHC,3/8-16 X 1.25 GRD 5	
6	131972	FORMING,O/R HOSE COVER.....4	
7	29868	SPRING CLIP,3/8-16	
8A	148027	WELDMENT,OUTRIGGER YOKE....1 <i>steer end</i>	
8B	148044	WELDMENT,OUTRIGGER YOKE <i>non-steer end</i>	
9	64154	BOLT,CARRIAGE,3/8-16 X1.00,G5	
10	4828	NUT,NYLOCK,3/8-16	
11		Ref. CYLINDER,OUTRIGGER,GS69 <i>(refer to 811.1)</i>	
12	71912	BOLT,SHOULDER,5/8-11 X 1.19 LT	
13	38028	NUT,LP NYLOCK,5/8-11	
14	235089	HOUSING ASSY,OUTRIGGER,WO <i>(ANSI, CSA &amp; Australia models with word decals)</i>	
--	148000	WELDMENT,OUTRIGGER COVER.....4 <i>(decals not included, refer to section 100)</i>	
--	235091	HOUSING ASSY,OUTRIGGER,SY <i>(Asia, S. America &amp; CE models with symbol decals)</i>	
15	148024	FORMING,O/R LIM SWTCH BRACKET.....1	
16	6091	NUT,NYLOCK,1/4-20	
17	6878	BOLT,CARRIAGE,1/4-20 X .75,G2	
18	105692	SWITCH,LIMIT,W/ROLLER ARM.....1	
19	18605	NUT,NYLOCK,8-32	
20	T106385	SCREW,PHILLIPS,PHM,8-32 X 1.00	
21	59568	RUBBER, VIBRATION MOUNT.....3	
22A	77026	LEVEL,BUBBLE,2 DEGREE *.....1 <i>(to SN GS6912-1617)</i>	
22B	218081	LEVEL,BUBBLE 3 DEGREE <i>(from SN GS6912-1618)</i>	
23	5224	SCREW,HHC,3/8-16 X 2	
24	44936	WASHER,STAR,EXTERNAL,#8	

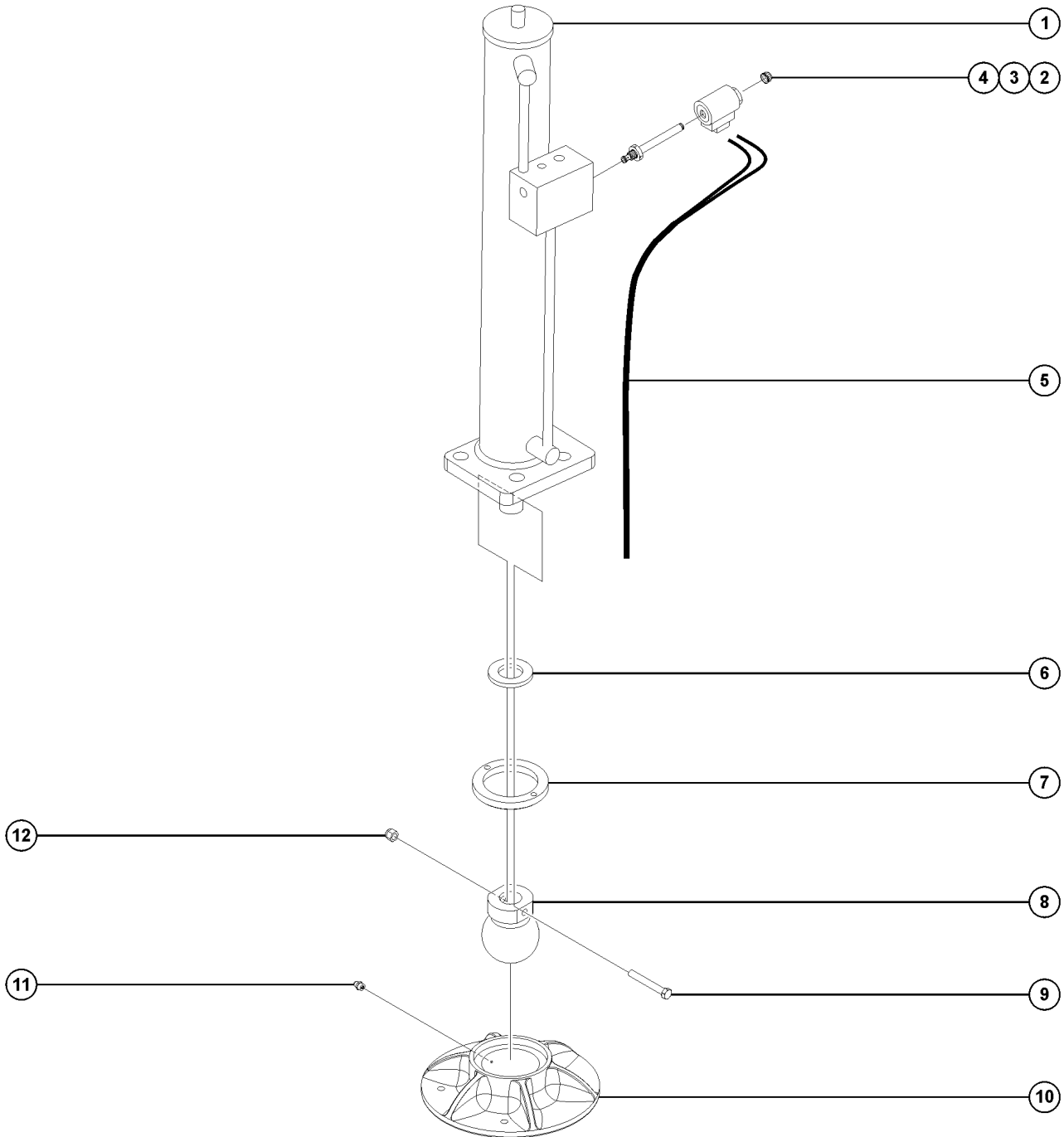
810.1 Outrigger Manifold



810.1 Outrigger Manifold

Item	Part No.	Description	Qty.
--		<i>Use the letter callouts to cross-reference with the Service Manual.</i>	
--	T110624	MANIFOLD,OUTRIGGER,GS69 <i>(manifold, complete)</i>	
1	84109	VALVE,DIR,#10 SAE,3 POS. 4 WAY.....1 <i>(BA, Outriggers in / out)</i>	
--	104760	COIL,12VDC #10DTSCH IP69 ECOIL	
--	44174	NUT-COIL SHORT	
--	44175	SPACER-DUAL COIL,#10, SCISSORS	
--	44230	SEAL KIT-P.N.44169,44172,44171	

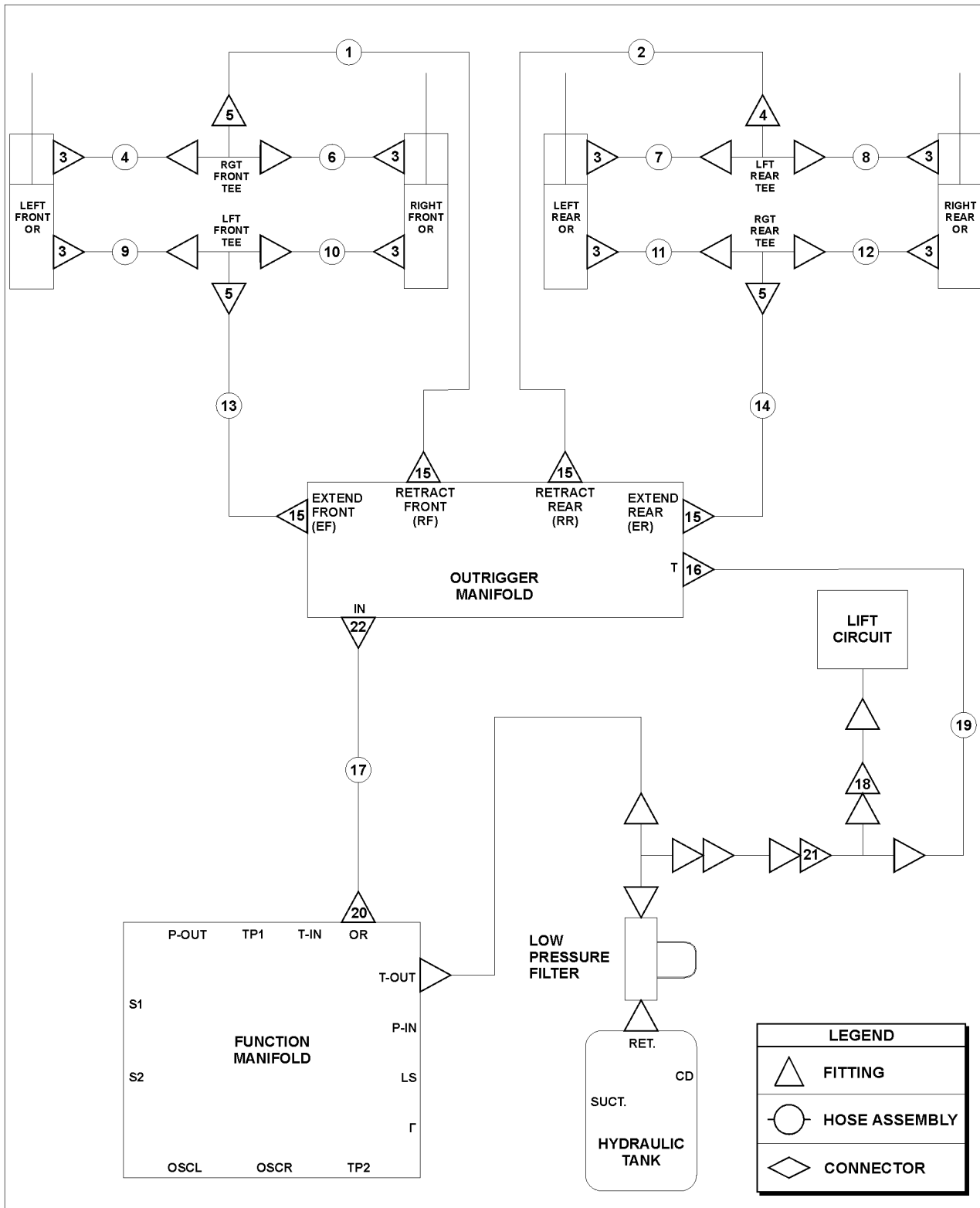
811.1 Outrigger Cylinders, All Models



## 811.1 Outrigger Cylinders, All Models

Item	Part No.	Description	Qty.
--	112537	FOOTPAD ASSY,RTSC OUTRIGGER <i>(includes items 6, 7 &amp; 9)</i>	
1	131428	CYLINDER,OUTRIGGER,GS69.....1	
--	226381	SEAL KIT, (131428) <i>(for 131428)</i>	
2	72097	NUT,SOLENOID VALVE,OUTRIGGERS.....1	
3	79831	COIL, 12VDC,DIODE,DEUTSCH.....1	
4	67933	VALVE,NC,BI-DI,CART*** .....1	
5		Ref. Outrigger Wire Harness <i>(refer to 408.1)</i>	
6	55682	PLATE, CYL UP LIMIT.....1	
7	55484	RETAINER, GS68 O/R FOOTPAD*** .....1	
8	55485	CASTING, BALL, GS OUTRIGGER.....1	
9	14033	SCREW,HHC,3/8-16 X 2.75.....1	
10	51814	CASTING,OUTRIGGER FOOTPAD *** .....1	
11	28646	ZERK,GREASE,1/8 NPT.....1	
12	4828	NUT,NYLOCK,3/8-16.....1	

812.1 Hydraulic Hoses and Fittings, Outrigger

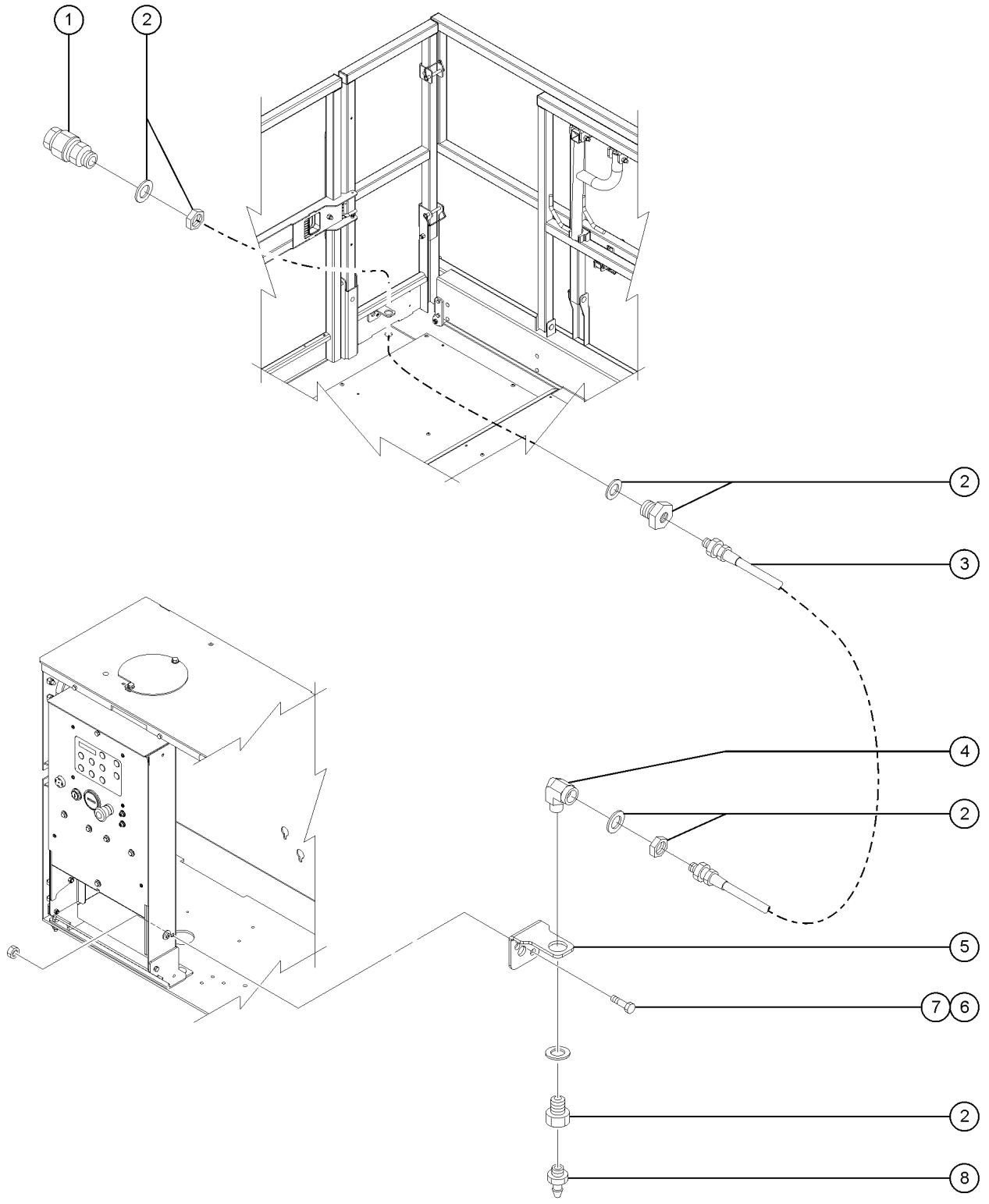


812.1 Hydraulic Hoses and Fittings, Outrigger

Item	Part No.	Description	Qty.	Item	Part No.	Description	Qty.
1	227726	HOSE ASSY,FR(OR.MF)-RF.OR.TEE.....1 (components: 48812, 48815, 56776 @ 98 inches)		15	48916	FITTING,CONN,520120-6.....4	
2	227735	HOSE ASSY,RR(OR.MF)-RR.OR.TEE.....1 (components: 48812, 48815, 56776 @ 98 inches)		16	48933	CONN,520120-8*** .....1	
3	48905	CONN,520120-4*** .....8		17A	227486	HOSE ASSY,OR(F.MF)-IN(OR.MF).....1 (components: 48812, 48815, 56776 @ 19 inches)	
4	227730	HOSE ASSY,RF.OR.TEE-R(LF.OR.CY.....1 (components: 48800, 48800, 48751 @ 75 inches)		17B	1254068	HOSE ASSY,OR(F,MF)-IN(OR,MF).....1 (components: 2x 48812, 48756 @ 17.5 in)	
5	48909	TEE,BULKHEAD,RUN,520958-4.....4		18	48892	ELBOW,SWIVEL 90D, 520221-6.....1	
6	227740	HOSE ASSY,RF.OR.TEE-R(RF.OR.CY.....1 (components: 48800, 48802, 48751 @ 20 inches)		19	227491	HOSE ASSY,T(OR.MF)-TANK.....1 (components: 48817, 48828, 48756 @ 8 inches)	
7	227732	HOSE ASSY,RR.OR.TEE-R(LR.OR.CY.....1 (components: 48800, 48800, 48751 @ 20 inches)		20	48930	FITTING,CONN,520120-6-8*** .....1	
8	227742	HOSE ASSY,RR.OR.TEE-R(RR.OR.CY.....1 (components: 48800, 48802, 48751 @ 75 inches)		21	48875	TEE,RUN,SWIVEL,520432-6.....1	
9	227489	HOSE ASSY,LF.OR.TEE-E(LF.OR.CY.....1 (components: 48800, 48802, 48751 @ 20 inches)		22A	48916	FITTING,CONN,520120-6.....1	
10	227490	HOSE ASSY,LF.OR.TEE-E(RF.OR.CY.....1 (components: 48800, 48800, 48751 @ 75 inches)		22B	48915	ELBOW,90D,520220-6	
11	227738	HOSE ASSY,LR.OR.TEE-E(LR.OR.CY.....1 (components: 48800, 48802, 48751 @ 75 inches)					
12	227728	HOSE ASSY,LR.OR.TEE-E(RR.OR.CY.....1 (components: 48800, 48800, 48751 @ 20 inches)					
13	227487	HOSE ASSY,EF(OR.MF)-LF.OR.TEE.....1 (components: 48812, 227488, 56776 @ 98 inches)					
14	227724	HOSE ASSY,ER(OR.MF)-LR.OR.TEE.....1 (components: 48812, 48815, 56776 @ 98 inches)					



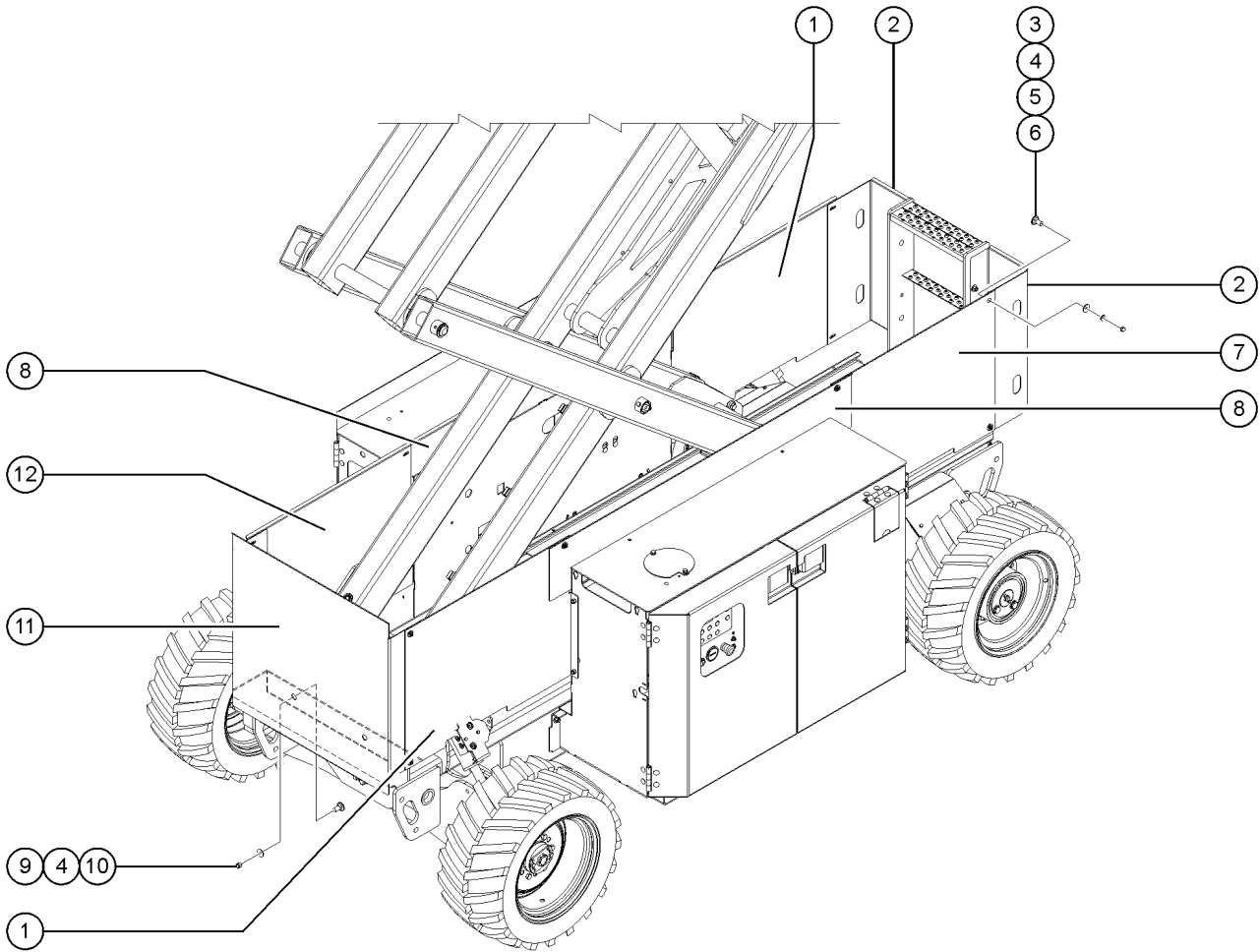
813.1 Air to Platform





Item	Part No.	Description	Qty.
1	27895	COUPLER,1/4"SERIES 3/8 MPT.....1	
2	27900	BULKHEAD,FEMALE X 6 X 6.....2	
3A	27903	HOSE,LOW PRESSURE,.375 ID,BLK.....918-inches GS-4069 RT	
--	27901	HOSE END,BARBED,RIGID,-6-6.....2	
3B	27903	HOSE,LOW PRESSURE,.375 ID,BLK.....660-inches GS-3369 RT	
--	27901	HOSE END,BARBED,RIGID,-6-6.....2	
3C	27903	HOSE,LOW PRESSURE,.375 ID,BLK.....570-inches GS-2669 RT	
--	27901	HOSE END,BARBED,RIGID,-6-6.....2	
4	79383	BRASS STREET ELBOW.....1	
5	47077	BRACKET,AIRLINE MOUNTING.....2	
6	8255	SCREW,HHC,3/8-16 X .75	
7	4828	NUT,NYLOCK,3/8-16	
8	27894	PLUG,1/4"SERIES,3/8 MPT.....1	

814.1 Link Guard, CE and Australia



814.1 Link Guard, CE and Australia

Item	Part No.	Description	Qty.	Item	Part No.	Description	Qty.
1A	227768	FORMING, LINK GUARD, SIDE, 26/33.....2 for GS-2669 RT & GS-3369 RT (ground controls side, front & engine side, rear)	2	12B	227716	FORMING, LINK GUARD, SIDE, 26/33.....1 for GS-2669 RT & GS-3369 RT with oil cooler option (engine side, front)	1
1B	T114354	FORMING, LINKGUARD, SIDE, 40.....2 for GS-4069 RT (ground controls side, front & engine side, rear)	2	12C	T114353	FORMING, LINKGUARD, SIDE, 40.....1 for GS-4069 RT without oil cooler option (ground controls side, front)	1
2A	227713	FORMING, LINK GUARD, BACK, 26/33.....2 for GS-2669 RT & GS-3369 RT	2	12D	T114353	FORMING, LINKGUARD, SIDE, 40.....1 for GS-4069 RT with oil cooler option (ground controls side, front)	1
2B	T114357	FORMING, LINKGUARD, END, 40.....2 for GS-4069 RT	2				
3	101718	BOLT, CARRIAGE, 3/8-16 X .75, G2					
4	6097	WASHER, FLAT, USS, 3/8", Y					
5	6021	WASHER, LOCK, .375					
6	45444	NUT, ACORN 3/8-16 PLATED					
7A	227716	FORMING, LINK GUARD, SIDE, 26/33.....1 for GS-2669 RT & GS-3369 RT without oil cooler option (ground controls side, rear)	1				
7B	227714	FORMING, LNK GRD, SIDE, OPT, 26/33.....1 for GS-2669 RT & GS-3369 RT with oil cooler option (ground controls side, rear)	1				
7C	T114353	FORMING, LINKGUARD, SIDE, 40.....1 for GS-4069 RT without oil cooler option (engine side, rear)	1				
7D	227717	FORMING, LINK GUARD, SIDE, OPT, 40.....1 for GS-4069 RT with oil cooler option (engine side, rear)	1				
8	T114358	FORMING, LINKGUARD, BOXTOP...2 for GS-4069 RT	2				
9	4828	NUT, NYLOCK, 3/8-16					
10	73466	BOLT, CARRIAGE, 3/8-16 X 1.00, G2					
11A	227715	FORMING, LINK GUARD, FRONT, 26/33.....1 for GS-2669 RT & GS-3369 RT	1				
11B	T114356	FORMING, LINKGUARD, SIDE, 40.....1 for GS-4069 RT	1				
12A	227716	FORMING, LINK GUARD, SIDE, 26/33.....1 for GS-2669 RT & GS-3369 RT without oil cooler option (engine side, front)	1				



Part Number Index

The Part Number Index is a numeric index of all part numbers included in this manual. The index shows what page(s) the part is used on.

Part Number	Page	Part Number	Page	Part Number	Page	Part Number	Page
-	93, 169, 175	112476	63-64, 129, 131,	128328	87	139191	71
101067	149		133	128332	73-74, 77	139192	71
101200	81	112512	64	128350	77	139193	73-74
101201	81	112531	87	128516	77	139196	71
101202	85	112537	181	13000	73-74, 87, 163	139200	71
101203	81	112543	131	13002	163	139202	71
101204	85	112572	64	13022	87	139203	77
101208	81	112639	89-90	13064	64	139211	79
101209	81	112640	89-90	13083	105	139212	79
101318	93	112703	125, 127	131323	100	139213	79
101319	93	112708	115, 117, 121,	131372	74, 85	139215	79
101320	89-90		125, 127	131373	87	139230	87
101322	93	112772	137	131378	81	139247	173
101324	93	112871	79	131416	129	139249	11, 27, 43
101325	93	112929	77, 93	131427	87	139267	89-90
101341	93	112946	77, 93	131428	181	139270	89-90
101490	157	11335	103	131484	85	139272	89-90
101586	63-64	114202	11, 13, 19, 21,	131581	79, 87	139273	81, 85
101718	187		27, 29, 35, 37,	131587	11, 27, 43	139274	85
102395	147		43, 45, 51, 53	131602	59, 61	139277	87
102396	147	114251	21, 37, 53	131610	59	139278	71, 81
10258	175	114258	13, 29, 45	131615	59	139279	81
102685	149	114337	19, 35, 51	131616	59	139280	81
104086	73-74	114338	23, 25, 39, 41,	131621	151	139282	81
104235	77, 93		55, 57	131639	64	139483	73-74
104366	73-74, 85	114371	23, 25, 39, 41,	131640	63-64	139877	157
104367	85		55, 57	131643	63-64	139953	165
104370	73-74	114385	11, 13, 27, 29,	131656	89-90	139954	165
104571	113		43, 45	131658	99-100	139968	63-64
104710	74	114386	13, 15, 17, 29,	131664	93	14033	115, 117, 121,
104759	143-144, 147		31, 33, 45, 47, 49	131665	93		181
104760	147, 179	115206	143-144	131687	117	14392	77, 111
104764	147	115402	151	131695	63-64	144065	139
104804	131	115431	77, 79, 87, 89-90	131735	133	144161	137
104935	153	116503	81	131741	133	146550	99-100
105108	141	116523	81	131742	133	147090	105
105109	141	117773	169	131743	133	147091	105
105171	141	119684	89-90	131744	129	147228	165
105172	141	119685	90	131745	129	147229	165
105319	109	119809	89-90	131746	131	147230	165
105556	161	119918	99-100	131747	131	147231	165
105557	161	121067	73-74	131749	129, 133	147232	165
105662	139	121422	97	131751	133	147233	165
105692	69, 177	122994	105	131755	63-64	147239	165
105695	149	1253349	111	131765	77, 87, 89-90, 97	147241	165
106098	63-64	1253422	111	131769	97	147258	165
106117	63-64	1253424	111	131778	99-100	147262	165
106118	63-64	1253425	111	131779	99-100	147279	165
106134	63-64	1253426	103	131780	109	148000	177
10744	109	1253427	95	131790	109	148001	177
10775	99-100, 137	1253428	111	131800	103	148007	105
10777	137	1253479	111	131801	95	148008	97
112070	115, 117, 121	1254068	183	131813	77, 87, 89-90, 97	148018	99-100
112072	117, 121	1254427	111	131814	97	148023	73-74, 77
112076	115, 117, 121,	1254823	93	131873	109, 111	148024	177
	125, 127	1255881	105	131874	115, 125	148027	177
112099	115, 119, 123	1256130	113	131897	77, 79	148029	95
112100	115, 119, 123	1258624	63-64	131899	115	148034	95
112106	123	1258625	63-64	131903	115	148035	89-90
112115	115, 119, 123	1258626	59	131920	153	148036	93
112116	115, 119, 123	1258627	59	131921	153	148040	73-74
112121	115, 119, 123	1258628	63-64	131926	109	148044	177
112123	115, 117, 121	1258629	63-64	131928	109	148046	175
112124	115, 117, 121	1258630	59	131929	109	148052	87
112125	121	1258631	59	131945	81	148053	87
112126	121	1258749	63-64	131954	79	148054	83, 87
112127	115, 125	1258750	63-64	131972	177	148055	83
112134	117, 121, 127	1258751	59	133278	13, 29, 45	148068	113
112136	119, 123, 127	1258752	59	133537	23, 25, 39, 41,	148069	113
112177	119, 123	1258753	63-64		55, 57	148070	113
112195	115, 117, 121	1258754	63-64	13585	99-100, 137	148071	113
112210	119, 123	1258755	59	13854	107, 163	148072	113
112229	115, 125	1258756	59	139168	79	148073	113
112350	115, 119, 123	1261278	73-74, 99-100	139173	79	148074	113
112375	115, 119, 123	128085	151	13918	61	148075	113

Part Number Index (continued)

Part Number	Page	Part Number	Page	Part Number	Page	Part Number	Page
148076	113, 161	162457	73-74	227491	183	229871	11, 27, 43
148077	113	162458	73-74	227492	151	229915	15, 17, 31, 33,
148078	113	162459	93	227579	71		47, 49
148079	113	162460	93	227582	71	229916	15, 31, 47
148080	113	162461	93	227592	71	230473	87
148081	113	162462	93	227593	71	230477	87
148082	113	162463	85	227594	71	230489	25
148083	113	18383	115, 117, 121	227598	159	230490	33, 41
148084	113	18503	73-74, 87, 93	227599	159	230491	57
148086	113	18540	63-64	227600	159	230492	23
148087	113	18605	64, 69, 115, 119,	227601	159	230493	39
148088	113		123, 177	227602	159	230494	55
148089	113	18666	100	227603	159	23061	87
148090	113	19440	59	227604	159	230803	17, 33, 49
148091	113	19506	105	227605	159	230804	11, 13, 27, 29,
148092	113	19859	73-74	227606	159		43, 45
148093	113	20224	143-144	227607	159	230805	25
148094	113	20912	63-64	227608	159	230806	41
148099	81	21019	89-90	227609	157	230807	57
148101	95	21130	83, 89-90	227610	157	230808	15, 17, 23, 25,
148105	107	21465	73-74, 99-100	227611	157		31, 33, 39, 41,
148109	90	21496	79	227612	157		47, 49, 55, 57,
148115	79	215229	99-100	227613	157		139
148206	113	215475	163	227614	155, 159	230809	23
148210	113	218081	177	227713	187	230810	39
148226	109	218604	73-74	227714	187	230811	55
148236	63-64, 115, 119,	219112	111	227715	187	230850	99-100
	123	219210	133	227716	187	230858	153
148243	99-100	219437	87, 93	227717	187	230983	143-144
148271	67	219695	169	227720	167	231083	139
148277	67	219696	169	227724	183	231084	105
148291	109	220153	69	227726	183	231092	143-144
148292	67	220237	69	227728	183	231226	87
148296	163	22106	71	227730	183	231227	87
148302	163	22446	131	227732	183	231231	81
148304	163	226089	103	227735	183	231232	81
148307	67	226378	153	227738	183	231233	81
148317	115, 119, 123	226379	153	227740	183	231234	81
148329	175	226380	151	227742	183	231236	81
148353	59	226381	181	227768	187	231557	99-100
148389	99-100	22672	85	227872	87	231574	87
148390	89-90	22676	79, 87	22788	67, 115, 119, 123	23167	99-100
148396	59	226960	73-74, 99-100	227925	87	23168	100
148399	89-90	22700	77, 79, 87	228103	115, 117, 121,	231929	81
148400	61	227458	159		123	232536	67
148403	67	227459	159	228327	15, 17, 23, 25	232537	67
148409	175	227460	159	228328	31, 33, 39, 41	232845	105
148410	175	227461	159	228329	47, 49, 55, 57	233039	11
148413	69	227462	157, 159	228407	13, 21, 29, 37,	233040	19
148414	113	227463	159		45, 53	233041	63-64
148416	71, 81, 89-90	227464	157, 159	228458	93	233042	27
148422	135	227465	157, 159	228698	77, 79, 87	233043	43
148425	135	227466	157	228974	71, 81, 89-90	233044	11
148426	59	227467	157	22903	81	233045	27
148433	115, 117, 121	227468	157	229071	77	233046	43
148434	115, 117, 121	227469	157	229073	77	233047	11
148461	109	227470	157	229079	149	233048	27
148548	109	227471	157	229243	77	233507	71
160566	113	227472	157	229291	105	233508	71
160739	175	227473	157	229305	157	233799	43
160740	175	227474	157	22934	71, 81	233800	11
160744	175	227475	85, 157	229427	11, 13, 19, 21,	233801	27
160905	113	227476	85, 157		27, 29, 35, 37,	233802	43
160906	113	227477	157		43, 45, 51, 53	233821	95
160907	113	227478	155	229430	17	233822	87, 89-90
161209	73-74	227479	155	229431	33	233823	95
161213	113	227480	171	229432	49	233824	95
161214	113	227481	171	229435	105	233933	79, 95
161233	73-74	227482	167	229625	157	233943	73-74
161234	73-74	227483	167	229668	90	233944	73-74
161695	85	227484	167	229740	99-100	233945	73-74
161714	79	227485	167	229771	97	233946	73-74
161715	79	227486	183	229827	11, 27, 43	233947	73-74
161805	109	227487	183	229828	19, 35, 51	233948	89-90
162455	81	227489	183	229835	11, 13, 27, 29,	233949	89-90
162456	81	227490	183		43, 45	233954	35

## Part Number Index (continued)

Part Number	Page	Part Number	Page	Part Number	Page	Part Number	Page
233955	51	235178	127	28235	13, 15, 17, 21,	44175	179
233956	19	235179	125		23, 25, 29, 31,	44181	83
233957	35	235180	127		33, 37, 39, 41,	44184	71
233958	51	235181	127		45, 47, 49, 53,	44190	77
233959	19	235182	105		55, 57	44191	81
233960	35	235331	129	28236	15, 17, 31, 33,	44192	81
233961	51	235332	129		47, 49	44193	81
233962	19	235499	71	28373	11, 13, 27, 29,	44196	83
233963	35	235500	71		43, 45	44197	83
233964	51	235501	71	28646	181	44198	83
234598	143-144	235502	71	28853	173	44199	83
234599	143-144	235503	71	29447	97	44201	83
234600	143-144	235504	71	29868	69, 109, 111,	44202	83
234601	143-144	235505	71		133, 163, 177	44203	85
234602	143-144	235506	71	30348	93	44204	85
234603	143-144	235509	71	30418	115, 119, 123	44224	143-144
234604	143-144	235510	71	30434	115, 119, 123	44227	143-144, 153
234605	143-144	235511	71	30973	81	44228	143-144, 147
234606	143-144	235512	71	31060	11, 27, 43	44230	147, 179
234607	143-144	235513	71	31379	83, 89-90	44255	11, 13, 27, 29,
234608	143-144	235516	73-74	31506	99-100		43, 45
234609	143-144	235517	73-74	31658	99-100	44733	103
234610	143-144	235518	73-74	31744	81	44736	15, 17, 31, 33,
234611	143-144, 149	235519	73-74	31788	11, 27, 43		47, 49
234612	144, 147, 149	235520	73-74	32069	71, 73-74, 81	44780	59
234613	143-144	235521	73-74	32077	81	44782	59
23469	71	235522	73-74	32084	73-74	44909	83
2347	99-100	235523	77	32092	71	44936	99-100, 177
23472	71	235524	77	32103	83	44973	153
234769	147	235525	77	32182	83	44981	13, 15, 17, 21,
234770	147	235526	77	32185	81, 87		23, 25, 29, 31,
234771	147	235527	79	32189	81		33, 37, 39, 41,
234772	147, 149	235528	79	32192	81		45, 47, 49, 53,
234773	147	235529	79	32194	81		55, 57
234774	147	235530	79	32199	81	45384	109, 111
234775	149	235531	79	32200	81	45435	74, 85
234776	149	235532	79	32202	83	45437	137
234777	147	235533	79	32203	83	45444	187
234842	81	235552	71	32205	87	45454	87, 105, 107
234843	81	235991	99-100	33418	87	45470	137, 163
234844	81	236007	83	33550	133	45708	95
234845	87	236045	89-90	33629	137	46131	74
234846	87	236046	89-90	33724	137	46718	169
234847	87	236095	85	33987	63-64	47077	185
234848	87	236426	89-90	34052	105, 169	47230	107, 129, 133
234867	83	237340	64	34053	105, 169	47238	175
235080	109	24037	87	34211	99-100	47312	59
235081	109	24514	133	34955	90	47478	129, 133
235082	109	25284	59, 61, 64, 97	35418	83, 89-90	47793	131
235083	109	25388	137	35434	73-74, 89-90	4828	61, 64, 67, 69,
235084	109	25817	59	35461	69, 115, 119, 123		77, 79, 87, 95,
235085	109	25926	89-90	35706	133		97, 99-100, 103,
235086	109	25929	81, 89-90	36872	95		109, 111, 115,
235087	109	27089	83	37947	105		117, 119, 121,
235088	109	27363	71, 81	38016	133		123, 127, 129,
235089	177	27894	185	38028	129, 177		131, 133, 135,
235090	133	27895	185	38149	13, 21, 29, 37,		163, 169, 177,
235091	177	27900	185		45, 53		181, 185, 187
235092	115, 117, 121	27901	185	38979	99-100	48425	133
235093	115, 117, 121	27903	185	39540	105	48846	169
235094	115, 117, 121	28092	71, 81	39882	151	48875	167, 183
235095	67	28158	13, 21, 29, 37,	40434	15, 17, 23, 25,	48880	143-144
235096	67		45, 53		31, 33, 39, 41,	48883	157
235097	133	28159	13, 21, 29, 37,		47, 49, 55, 57	48892	183
235098	133		45, 53	42360	59	48905	63-64, 151, 157,
235099	133	28160	11, 19, 27, 35,	42489	173		159, 183
235100	133		43, 51	4266	97, 121, 131	48909	157, 159, 183
235122	123	28174	13, 15, 17, 21,	42767	89-90	48911	59, 157
235170	125		23, 25, 29, 31,	43392	109, 111	48912	157, 159
235171	127		33, 37, 39, 41,	43618	15, 17, 23, 25,	48915	157, 159, 183
235172	127		45, 47, 49, 53,		31, 33, 39, 41,	48916	153, 155, 157,
235173	125		55, 57		47, 49, 55, 57		183
235174	127	28175	11, 13, 27, 29,	43700	85	48929	159
235175	127		43, 45	43956	137	48930	63-64, 183
235176	125	28176	15, 17, 31, 33,	44174	143-144, 147,	48933	157, 159, 167,
235177	127		47, 49		179		183

Part Number Index (continued)

Part Number	Page	Part Number	Page	Part Number	Page	Part Number	Page
48943	59, 159	55517	109, 111, 133		115, 117, 121, 169, 177	77402	89-90
48947	157, 159, 167	55559	153	65837	81	78038	107
48948	63-64, 157	55675	111	65853	83	78674	99-100
48960	157, 159, 169, 171	55682	181	6595	137	78736	63-64, 115, 117, 121, 123
48961	157	56912	59, 63-64, 67, 97, 99-100, 169, 175	66030	129, 131, 133	78903	141
48985	157			6605	87	78903H	141
48997	143-144, 149, 157, 159	56949	83, 89-90	6606	87	79015	169
49000	107	57075	99-100	6626	137	79090	133
49375	79	58592	63-64	66353	99-100, 137	79355	129, 131, 133
49379	89-90	59568	177	66355	99-100, 137	79374	161
49408	81	6002	81	66356	137	79383	185
49612	143-144	6019	74, 77, 79, 85, 87, 93, 97, 99-100, 109, 111, 123, 163, 169, 177	6637	59, 129, 175	79456	71, 89-90
49613	143-144	6021	74, 85, 93, 97, 103, 109, 111, 187	6638	59, 71, 73-74, 77, 79, 83, 89-90, 97, 105, 109, 129, 131, 133, 169, 175	79831	181
49816	105, 161, 177			6666	137	80149	139
49817	77	6033	89-90, 93	66717	100	81329	111
49818	105	60334	97	66812	105, 139	81579	69
49819	105	60585	89-90	66817	105, 139	81633	73-74
49821	69, 115, 119, 123	60790	67	66818	105, 139	8179	169
49857	59, 69	60790	67	6700	74, 85, 93, 105	82240	19, 35, 51
49861	167	60857	97	6708	131, 133	823341	139
51428	175	6090	63-64, 67, 79, 83, 89-90, 99-100, 100, 105, 133, 137, 169	67387	61, 97	82366	13, 29, 45
51451	107	6091	63-64, 71, 73-74, 77, 79, 83, 89-90, 95, 99-100, 105, 111, 129, 131, 133, 137, 161, 169, 177	67504	105, 169	82418	13, 21, 29, 37, 45, 53
51474	64			6782	83, 87, 99-100, 109, 133, 163	82473	19, 21, 35, 37, 51, 53
51495	73-74			67933	181	82474	19, 21, 35, 37, 51, 53
51510	79			6873	100	82475	19, 21, 35, 37, 51, 53
51580	167			6878	95, 111, 131, 161, 177	82476	19, 21, 35, 37, 51, 53
51738	87			6886	89-90	82481	19, 35, 51
51745	79, 83			6888	77, 83, 105	82487	21, 23, 25, 37, 39, 41, 53, 55, 57
51814	181			6889	109, 115, 117, 121, 123, 131, 133, 135, 139	825187	139
5224	177			69864	105	8255	59, 64, 97, 103, 107, 185
52371	143-144, 147			7056	99-100, 137	82557	15, 17, 31, 33, 47, 49
52374	143-144			71202	97	82558	11, 13, 27, 29, 43, 45
52377	147			71259	169	82560	19, 21, 35, 37, 51, 53
52378	143-144, 147			7127	137	82561	11, 13, 27, 29, 43, 45
52420	73-74, 85, 95			71315	129, 133	82562	19, 21, 35, 37, 51, 53
52425	73-74			71376	129	82666	19, 21, 35, 37, 51, 53
52427	73-74			71484	99-100	82793	13, 29, 45
52475	11, 13, 19, 21, 27, 29, 35, 37, 43, 45, 51, 53			71508	69	83093	105
52494	15, 17, 31, 33, 47, 49			71874	63-64	83131	105
52521	77			71909	83, 89-90	839151	81
52531	81			71912	177	84039	71
52532	81			72086	11, 13, 19, 21, 27, 29, 35, 37, 43, 45, 51, 53	84040	71
52533	81			72326	139	84053	77
52534	83			72343	93	84077	79
52535	71, 73-74, 77			7339	61	84109	179
52536	77			73464	63-64, 115, 117, 121	84408	73-74
52808	71					84421	153
52816	71					84423	153
52834	83					84808	74
52850	71, 73-74					84810	74
52865	13, 29, 45					84812	89-90
52867	90					84813	89-90
52897	147					84814	89-90
52902	143-144					84816	93
52907	143-144, 149					85071	93
52910	147					85143	93
52967	11, 13, 19, 21, 27, 29, 35, 37, 43, 45, 51, 53					85155	89-90
53500	151					8516	67, 87
53605	107					85197	74, 85, 93
5365	63-64					87002	177
5397	73-74, 87, 89-90, 97					87033	157
54123	100					87070	100
54332	71, 81						
54534	105						
54556	89-90						
54627	63-64						
55484	181						
55485	181						



## Part Number Index (continued)

Part Number	Page	Part Number	Page
87075	103	T108074	135
87190	153	T108133	71
87191	153	T108137	115, 117, 121
87193	137	T108138	115, 117, 121
87265	161	T108139	115, 117, 121
87320	131	T108147	105
87523	129	T109085	59
87564	133	T109593	59
87566	139	T109734	115, 117, 123
87567	139	T109736	107
87568	129	T109738	113
87570	133	T109739	63-64
87584	79	T109743	113
87645	133	T109744	63-64
87675	133	T109745	63-64
87684	63-64, 95, 103	T109746	113
87918	74, 85, 93	T109747	113
88296	63-64	T109748	113
89065	59	T109749	113
89066	59	T109750	113
8914	135	T110624	179
8915	89-90	T110637	63-64
89997	77	T111767	103
94232	93	T111768	103
94239	90	T111769	103
94240	93	T112283	97
94242	93	T112457	99-100
94243	93	T112503	59
94244	89-90	T112560	137
94532	77, 79, 87, 89-90	T112563	137
94688	93	T113085	147
94762	89-90	T113979	71
94784	93	T114353	187
94889	89-90	T114354	187
96008-S	105	T114356	187
96010	105	T114357	187
96203	95, 97, 99-100, 103, 115, 119, 123	T114358	187
		T114634	113
		T114635	11, 13, 19, 21
96236	99-100, 137	T114636	27, 29, 35, 37
96320	63-64	T114637	43, 45, 51, 53
96905	121, 123	T114638	15, 17
96977	67, 115, 119, 123, 125, 127	T114639	31
97013	141	T114640	47, 49
97014	141	T114641	15
97015	141	T114642	31
97130	153	T114643	47
97368	147	T114655	71
97372	143-144	T114657	73-74
97473	93	T114658	73-74
97482	73-74	T114659	73-74
97602	11, 27, 43	T114682	71
97719	13, 21, 29, 37, 45, 53	T114860	67
		T115515	67
99089	105	T115706	99-100
99097	74, 85, 95		
99163	139		
99164	139		
99199	83		
99267	133		
99268	133		
99346	69, 103		
99851	93		
99852	93		
99882	85		
REF.	137		
T106385	177		
T106699	105		
T106782	99-100		
T106787	99-100		
T107408	143-144		
T107936	63-64		
T107969	63-64		
T107978	63-64		
T108044	139		



The Part Description Index is an alphabetical index of all part descriptions included in this manual. The index shows what page(s) the part is used on.

**1**  
12VDC PROPORTIONAL VALVE.....165

**2**  
207 HYD MOTOR ASSY, GEN.....165

**A**  
ADAPTER, FLANGE GEAR, 3 HOLE.....85, 93  
ADAPTER, PUMP COUPLER.....73-74  
ADAPTER, FLANGE GEAR, 3 HOLE, GRDN...93  
ADAPTER, WHEEL, GS68/GS69.....59  
AIR CLEANER ASSEMBLY, DF-752.....74  
AIR CLEANER ASSY.....85  
AIR CLEANER COVER, DF-752.....74  
AIR CLEANER ELEMENT, KUBOTA.....74  
AIR CLEANER FLANGE, DF-972.....73-74  
AIR CLEANER STAY.....85  
AIR CLEANER ASSEMBLY.....89-90  
ALARM ASSY, 12VDC, ITT, 4 PIN\*\*\*\* .....139  
ALARM, STEADY TONE\*\*\*.....105  
ALTERNATOR GUARD, DF-972.....71  
ALTERNATOR STAY, WG750\*\*\*.....71  
ALTERNATOR, 40 AMP, INT REG.....81  
ALTERNATOR, 40 AMP, INT REGULATE.....93  
ALTERNATOR, 40-AMP, DF-972.....71  
ANALOG ROCKER ASSEMBLY\*\*\* .....139  
ANGLE, RELAY MNT, W/NUTSERTS, PNT...105  
ARM, 2ND OUTER, W/BEARINGS, SY.....115, 117, 121  
ARM, 2ND OUTER, W/BEARINGS, WO.....115, 117, 121  
ARM, 2ND INNER ASSY, W/BEARINGS.....115, 117, 121  
ASSY, HI FLOAT TIRE/WHEEL REAR.....63-64  
ASSY, PLATE CONTROL, WG972.....77  
ASSY, WIRE ROPE, CHOKE, WG972.....79  
ASSY, FUNCTION MANIFOLD, GS69.....143-144  
ASSY, HI FLOAT TIRE/WHEEL FRONT.....59  
ASSY, LIMIT SWITCH, OSC AXLE, GS69.....113  
ASSY, LINK, INNER #1.....115, 117, 121  
ASSY, LINK, INNER #2.....115, 117, 121  
ASSY, LINK, INNER #3, 2669.....115, 125  
ASSY, LINK, INNER #3, 3369.....117  
ASSY, LINK, INNER #3, 4069.....121  
ASSY, LINK, INNER #4, 4069.....121  
ASSY, LINK, INR #4-3369, #5-4069.....117, 121, 127  
ASSY, RELAY SOCKET, AUTO.....105, 169  
ASSY, TRACTION MANIFOLD, GS69.....147

**B**  
BASE WITH 1 NC CONTACT, E-STOP.....105, 139  
BATTERY, 12V, 900 CCA.....95  
BEACON LIGHT ASSY.....161  
BEARING, 1.00ID X 1.25OD X 0.75L.....64  
BEARING, 1.00ID X 1.25OD X 1.00L.....59, 151  
BEARING, 1.25ID X 1.50OD X 0.88L.....115, 119, 123  
BEARING, 1.50ID X 1.75OD X 2.00L.....115, 117, 121

BEARING, BRZ, FL, 1.0ID X 1.25OD...77, 87, 89-90, 97  
BEARING, BRZ, FL, 1.25X1.50X1.1.....59  
BEARING, FL, 1.25ID X 1.50OD X .44LG.....115, 119, 123  
BELLHOUSING, KD-1105, A-PILOT.....85  
BELLHOUSING, DF-972, GRDN, GS69.....73-74  
BELLHOUSING, DF-972, GS69.....73-74  
BELT, FAN, D-1105.....81  
BELT, FAN, KUBOTA DF972/Z482-E.....71  
BELT-FAN, PERKINS (103.10).....93  
BLANKET, BATTERY.....173  
BOLT, ALT. STAY, WG972.....71  
BOLT, BELLHOUSING MNT, WG972.....73-74  
BOLT, D03 MOUNTING.....147  
BOLT, FAN COVER, D1105.....87  
BOLT, FAN, WG972.....71  
BOLT, FLANGE ADAPTER, WG972.....73-74  
BOLT, HEAT SHIELD, WG972.....71  
BOLT, M8X30MM, KUBOTA.....71  
BOLT, MUFFLER COVER, WG972.....71  
BOLT, THERMOSTAT COVER, WG972.....71  
BOLT, THROTTLE RET., WG972.....77  
BOLT, CARRIAGE, #10-24X.50, G2.....63-64  
BOLT, CARRIAGE, 1/2-13X1.50, GR5.....67, 115, 119, 123, 125, 127  
BOLT, CARRIAGE, 1/2-13X1.75, G5.....95, 97, 99-100, 103, 115, 119, 123  
BOLT, CARRIAGE, 1/4-20 X .5, G2.....139  
BOLT, CARRIAGE, 1/4-20 X .63, G2.....133  
BOLT, CARRIAGE, 1/4-20 X .75, G2.....95, 111, 131, 161, 177  
BOLT, CARRIAGE, 1/4-20 X 1.00, G2.....71, 89-90  
BOLT, CARRIAGE, 1/4-20 X 1.75, G2.....63-64, 115, 117, 121  
BOLT, CARRIAGE, 1/4-20 X 2.5, G2.....121, 123  
BOLT, CARRIAGE, 3/8-16 X .75, G2.....187  
BOLT, CARRIAGE, 3/8-16 X 1.00, G2.....64, 163, 187  
BOLT, CARRIAGE, 3/8-16 X 2.00, G2.....133  
BOLT, CARRIAGE, 3/8-16 X 1.00, G5.....69, 95, 97, 100, 103, 109, 111, 115, 117, 121, 169, 177  
BOLT, CARRIAGE, 3/8-16 X 1.50, G5.....67  
BOLT, CARRIAGE, 3/8-16 X 1.75.....64  
BOLT, CARRIAGE, 3/8-16 X 2.75, G5.....63-64, 129, 131, 133  
BOLT, FLYWHEEL, KUBOTA D905.....85  
BOLT, ROLLER, .470" (SHORT).....133  
BOLT, SHLDR, 3/8X1.25, 5/16-18S/S.....109  
BOLT, SHLDR, 3/8X5/16X5/16-18S/S.....99-100  
BOLT, SHLDR, 5/16X1/4X1/14-20S/S.....109  
BOLT, SHOULDER, 5/8-11 X 1.19 LT.....177  
BOLT, WING, FILTER ELEMENT, D905.....85  
BOOT, JOYSTICK.....141  
BOOT, THUMB ROCKER\*\*\*.....141  
BOTTLE, COOLANT RECOVERY, 1.4\*\*\*.....77, 79, 87, 89-90  
BOX, INSTRUCTION STORAGE.....133  
BRACKET, AIR CLEANER.....73-74, 77  
BRACKET, AIR CLEANER MT.....90  
BRACKET, THROTTLE END RETAINER.....77  
BRACKET, AIRLINE MOUNTING.....185  
BRACKET, RELAY MOUNT W/INSERTS.....105  
BRASS STREET ELBOW.....185  
BREAKER, 25 AMP, GEN.....165

BREAKER, 15 AMP, GEN.....165  
BRG, FL, 1.5ID X 1.75OD X .5 LG.....115, 119, 123  
BRKT, BAFFLE, RADIATOR.....87  
BRKT, AIR CLEANER MOUNT.....85  
BULB, FLASHING BEACON.....161  
BULKHEAD, FEMALE X 6 X 6.....185  
BUMPER, 1.00 X .375 X 5/16.....133  
BUMPER, MODULE TRAY.....131  
BUMPER, BATTERY BOX & RAILS.....109, 111  
BUMPER, LINKS, GS69.....115, 117, 123  
BUMPER, RUBBER.....107, 129, 133  
BUMPER, RUBBER, 1"OD X .461 H.....129, 133  
BUMPER, RUBBER-1 X 1.25.....81  
BUSHING, 630DX.328ID .375T.....81  
BUTTON, PUSH, RED MUSHROOM HEAD.....105, 139

**C**  
CABLE ASSY, B+ TO STRT, GS69IC.....113  
CABLE ASSY, ENG TO B-, GS69IC.....113  
CABLE CLAMP, 3 WAY, HDPE.....97  
CABLE END.....77  
CABLE, CONTROL JUMPER, GS69.....113  
CABLE, CONTROL, BASE, GS3369.....113  
CABLE, CONTROL, BASE, GS4069.....113  
CABLE, CONTROL, BASE, GS69.....113  
CABLE, CONTROL, GS2669.....113  
CABLE, DOWN COILS, GS3369.....113  
CABLE, DOWN COILS, GS4069.....113  
CABLE, DWN INT LIMIT SWITCH.....113  
CABLE, FUNCTION MANIFOLD, GS69.....113  
CABLE, OUTRIGGER, FRNT, GS69.....113  
CABLE, OUTRIGGER, REAR, GS69.....113  
CABLE, PRESSURE SWITCH.....113  
CAP ASSY, COOLANT BOTTLE\*\*\*.....77, 79, 87, 89-90  
CAP, SPARK PLUG.....77  
CAP, TUBE, SQ, 1.25 X .083.....107  
CAP, DIAGNOSTIC NIPPLE.....143-144  
CAP, FUEL, DIESEL, SAE-J NECK.....99-100  
CAP, FUEL, GASOLINE 3.5PSI.....99-100  
CAP, HYDRAULIC TANK, GS68/84/90.....99-100  
CAP, RADIATOR, 13 PSI.....87  
CAP, RADIATOR, PERKINS (94232).....93  
CAP, RAIN, AIR CLEANER, GS68RT\*\*.....73-74, 85, 95  
CAP, SERIES 1 CB VALVE, SINGLE\*\*.....151  
CAPACITOR, 1000UF, 25V.....105  
CAPACITOR, 4700MFD 25V.....105  
CARBURATOR ASSY, DF-972.....73-74  
CARBURATOR FLANGE, DF-972.....73-74  
CASTING, BALL, GS OUTRIGGER.....181  
CASTING, CW, MID, 4069.....67  
CASTING, CW, REAR, 4069.....67  
CASTING, OUTRIGGER FOOTPAD \*\*\*.....181  
CATALYTIC MUFFLER, DF-972.....71  
CBL ASSY, ENG. TO GRD, GS69IC.....113  
CHOKE LINKAGE GS68.....79  
CIRCUIT BREAKER, 15A.....105  
CIRCUIT BREAKER, 20A.....105  
CLAMP HALVES, SINGLE, 1-1/8" T.....169  
CLAMP, LWR. RAD. HOSE, WG972.....79  
CLAMP, UP. RAD. HOSE, WG972.....79  
CLAMP, #4 HOSE, CLAMP.....175  
CLAMP, 0.31, #5 X 1/4, RUB CUSH.....137, 163

## Part Description Index (continued)

CLAMP,1.00,#16 X 1/4,RUB CUSH.....100	COVER ASSY,CNTRLS SIDE,RT,SY.....109	DECAL,DANGER DO NOT ALTER SWTC.....11, 27, 43
CLAMP,1X#8 HOSE.....97	COVER ASSY,CNTRLS SIDE,RT,WO.....109	DECAL,DANGER,BATTERY SAFETY***.....11, 27, 43
CLAMP,2 HOSE,PLASTIC,5/8.....63-64, 115, 117, 121, 123	COVER ASSY,ENGINE SIDE,LT,SY.....109	DECAL,DANGER,CRUSHING HAZARD.....11, 13, 27, 29, 43, 45
CLAMP,AIR CLEANER HOSE,WG750**.....73-74	COVER ASSY,ENGINE SIDE,LT,SY,CE.....109	DECAL,DANGER,ELEC HAZARD,GS.....11, 13, 27, 29, 43, 45
CLAMP,GENERATOR HOSE,GS69.....163	COVER ASSY,ENGINE SIDE,RT,WO.....109	DECAL,DANGER,MAN FRC, GS2669.....25
CLAMP,HOSE.....81, 87	COVER ASSY,ENGINESIDE,RT,SY.....109	DECAL,DANGER,MAN FRC, GS3369.....41
CLAMP,HOSE,.25.....83	COVER, END, GEN, 120V.....165	DECAL,DANGER,MAN FRC, GS4069.....57
CLAMP,HOSE,.63.....74	COVER, END, GEN, 240V.....165	DECAL,DANGER,NO SMOKING.....13, 29, 45
CLAMP,HOSE,1 EAR, 5/8.....100	COVER, FAN.....87	DECAL,DANGER,OUTRIGGER SAFETY...15, 17, 31, 33, 47, 49
CLAMP,HOSE,1.00.....93	COVER,BLANK.....137	DECAL,DANGER,SIDE FRC,GS2669.....23
CLAMP,HOSE,1.75.....85	COVER,GFCI,HORIZONTAL,WEATHER.....99-100	DECAL,DANGER,SIDE FRC,GS3369.....39
CLAMP,HOSE,2.00***.....73-74, 89-90	COVER,GFCI,WEATHERPROOF.....137	DECAL,DANGER,SIDE FRC,GS4069.....55
CLAMP,HOSE,2.50****.....74, 85	COVER,MUFFLER,DF-972.....71	DECAL,DANGER,TIP-OVER,TILT.....15, 17, 31, 33, 47, 49
CLAMP,HOSE,2X#4,GS69.....59	COVER,MUFFLER,FLANGE,DF-972.....71	DECAL,DANGER-GEN SAFETY.....13, 15, 17, 29, 31, 33, 45, 47, 49
CLAMP,HOSE,5.00.....90	COVER,REAR AXLE.....63-64	DECAL,DANGER-USE SAFETY ARM.....11, 13, 27, 29, 43, 45
CLAMP,HOSE,FRONT,2X#4,#6.....63-64	COVER,RT PLATFORM CONTROLS***.....139	DECAL,DIESEL.....13, 21, 29, 37, 45, 53
CLAMP,HOSE,FRONT,3X#4.....63-64	COVER,V-BELT,D1105,KUBOTA.....81	DECAL,EXPLOSION HAZARD.....11, 27, 43
CLAMP,HOSE,KUBOTA WG750.....71, 73-74, 81	CYLINDER, LIFT, LOWER, GS69.....153	DECAL,FORK LIFT POCKET....11, 13, 27, 29, 43, 45
CLAMP,HOSE,SELF TIGHT, 7/16.....79	CYLINDER,LIFT,UPPER,4069.....153	DECAL,GROUND CONTROL PANEL.....13, 21, 29, 37, 45, 53
CLAMP,HOSE,SIZE .25 TO .63.....73-74, 99-100	CYLINDER,OSCILATING,GS69.....151	DECAL,LABEL,105 DB.....19, 35, 51
CLAMP,RUB CUSH,0.75,#12 X 3/8*....87, 105, 107	CYLINDER,OUTRIGGER,GS69.....181	DECAL,LABEL,AIRLINE 110 PSI....13, 15, 17, 21, 23, 25, 29, 31, 33, 37, 39, 41, 45, 47, 49, 53, 55, 57
CLAMP,TAILPIPE, 1 1/2****.....71, 81, 90	CYLINDER,STEER***.....59	DECAL,LABEL,FORKLIFT POCKET....19, 21, 35, 37, 51, 53
CLAMP-HOSE, .375, FUEL PUMP.....83		DECAL,LABEL,HOT,SYMBOL.....19, 35, 51
CLEAR SWITCH ACTUATOR.....139		DECAL,LABEL,LIFTING EYE.....11, 13, 19, 21, 27, 29, 35, 37, 43, 45, 51, 53
CLEAR SWITCH ACTUATOR(QTY 10).....139		DECAL,LABEL,LIQUID PROPANE.....11, 19, 27, 35, 43, 51
CLEVIS YOKE-1/4-28,PLTD W/PIN.....83, 89-90		DECAL,LABEL,MANUAL NOT HERE...15, 17, 31, 33, 47, 49
CLIP, METAL MOUNTING.....69, 103		DECAL,LABEL,NO SMOKING,SYMB...21, 37, 53
COIL CORD CLIP.....129		DECAL,LABEL,OUTRIGGER LD....11, 13, 19, 21, 27, 29, 35, 37, 43, 45, 51, 53
COIL, 12VDC,DIODE,DEUTSCH.....181		DECAL,LABEL,PATENTS....13, 21, 29, 37, 45, 53
COIL,10VDC #10 DTSCH NO DIODE.....143-144		DECAL,LABEL,PLAT CONT LOCATION....15, 17, 31, 33, 47, 49
COIL,12V D03 ZENER DIODE.....147		DECAL,LABEL,TRANSPORT TIE 68....11, 13, 19, 21, 27, 29, 35, 37, 43, 45, 51, 53
COIL,12VDC #10DTSCH IP69 ECOIL.....147, 179		DECAL,LABEL,TRANSPORT TIEDOWN*..11, 13, 19, 21, 27, 29, 35, 37, 43, 45, 51, 53
COIL,12VDC #8 DTSCH IP69 ECOIL.....143-144, 147		DECAL,LABEL,UNLEADED GAS ONLY.....13, 21, 29, 37, 45, 53
COIL,SQUARE,12VDC***.....153		DECAL,LABEL,WHEEL LD,GS2669RT.....11, 13, 19, 21
COLLAR, 7 BLADE FAN, D1105.....81		DECAL,LABEL,WHEEL LD,GS3369RT.....27, 29, 35, 37
COMP. FLYWHEEL.....85		DECAL,LABEL,WHEEL LD,GS4069RT.....43, 45, 51, 53
COMP. WATER FLANGE.....87		DECAL,LABEL-DIRECTION ARROWS.....15, 17, 23, 25, 31, 33, 39, 41, 47, 49, 55, 57
CONN, FFSS-MORB, 520181-12.....157		DECAL,LANYARD ANCHORAGE POINT...15, 17, 23, 25, 31, 33, 39, 41, 47, 49, 55, 57
CONN, LONG, ORFS-ORB, -16-16.....157		DECAL,LOW/ULTRA LOW SULFR FUEL...13, 29, 45
CONN,520120-4***.....63-64, 151, 157, 159, 183		
CONN,520120-4-6***.....157, 159		
CONN,520120-8***.....157, 159, 167, 183		
CONN,520120-8-12.....63-64, 157		
CONN,BR, 1/8" MNPT-3/16" HS.....99-100		
CONN,LONG,520122-4.....167		
CONN,RECEP 48 WAY,4 X 12.....105		
CONN,SQUEEZE,1/2NPT .38-.50,SM.....99-100, 137		
CONNECTOR,B,1/8 FPT 3/16 HS.....99-100		
CONTACT,NC.....105, 139		
CONTROLLER BOX, 120/240V, 50H.....165		
CONTROLLER BOX, 120/240V, 60H.....165		
COUPLER,1/4"SERIES 3/8 MPT.....185		
COUPLER,HUB,9T A-A SPLN PERKIN.....93		
COUPLER,HUB9TA-APLNSPERKINGDN.....93		
COUPLER,SPLINED,9TOOTH, GS68.....73-74, 85		
COVER ASSY,CNTRLS SIDE,LT,SY.....109		
COVER ASSY,CNTRLS SIDE,LT,WO.....109		
COVER ASSY,CNTRLS SIDE,RT,SY.....109		
COVER ASSY,CNTRLS SIDE,RT,WO.....109		
COVER ASSY,ENGINE SIDE,LT,SY.....109		
COVER ASSY,ENGINE SIDE,LT,SY,CE.....109		
COVER ASSY,ENGINE SIDE,RT,WO.....109		
COVER ASSY,ENGINESIDE,RT,SY.....109		
COVER, END, GEN, 120V.....165		
COVER, END, GEN, 240V.....165		
COVER, FAN.....87		
COVER,BLANK.....137		
COVER,GFCI,HORIZONTAL,WEATHER.....99-100		
COVER,GFCI,WEATHERPROOF.....137		
COVER,MUFFLER,DF-972.....71		
COVER,MUFFLER,FLANGE,DF-972.....71		
COVER,REAR AXLE.....63-64		
COVER,RT PLATFORM CONTROLS***.....139		
COVER,V-BELT,D1105,KUBOTA.....81		
CYLINDER, LIFT, LOWER, GS69.....153		
CYLINDER,LIFT,UPPER,4069.....153		
CYLINDER,OSCILATING,GS69.....151		
CYLINDER,OUTRIGGER,GS69.....181		
CYLINDER,STEER***.....59		
	<b>D</b>	
	DECAL KIT, 2669 COMP,WRD,ANSI.....11	
	DECAL KIT, 2669 COMP,WRD,AUS.....11	
	DECAL KIT, 2669 PLAT,WRD,ANSI.....11	
	DECAL KIT, 2669 PLAT,WRD,AUS.....11	
	DECAL KIT, 3369 COMP,WRD,ANSI.....27	
	DECAL KIT, 3369 COMP,WRD,AUS.....27	
	DECAL KIT, 3369 PLAT,WRD,ANSI.....27	
	DECAL KIT, 3369 PLAT,WRD,AUS.....27	
	DECAL KIT, 4069 COMP,WRD,ANSI.....43	
	DECAL KIT, 4069 COMP,WRD,AUS.....43	
	DECAL KIT, 4069 PLAT,WRD,ANSI.....43	
	DECAL KIT, 4069 PLAT,WRD,AUS.....43	
	DECAL KIT,2669 COMP,SYM,ANSI.....19	
	DECAL KIT,2669 COMP,SYM,CE.....19	
	DECAL KIT,2669 PLAT,SYM,ANSI.....19	
	DECAL KIT,2669 PLAT,SYM,CE.....19	
	DECAL KIT,3369 COMP,SYM,ANSI.....35	
	DECAL KIT,3369 COMP,SYM,CE.....35	
	DECAL KIT,3369 PLAT,SYM,ANSI.....35	
	DECAL KIT,3369 PLAT,SYM,CE.....35	
	DECAL KIT,4069 COMP,SYM,ANSI.....51	
	DECAL KIT,4069 COMP,SYM,CE.....51	
	DECAL KIT,4069 PLAT,SYM,ANSI.....51	
	DECAL KIT,4069 PLAT,SYM,CE.....51	
	DECAL NOTICE,MAN FRC,2669 AUS.....17	
	DECAL, LABEL, SAFETY ARM SYMB.....13, 21, 29, 37, 45, 53	
	DECAL,ANNUAL INSP***.....13, 29, 45	
	DECAL,CAUTION,CRUSH HAZ, RAILS.....15, 17, 31, 33, 47, 49	
	DECAL,CHEVRON RANDO HD....13, 29, 45	
	DECAL,COMPARTMENT ACCESS.....11, 13, 27, 29, 43, 45	
	DECAL,COSMETIC,4 X 4....11, 13, 19, 21, 27, 29, 35, 37, 43, 45, 51, 53	
	DECAL,COSMETIC,GENIE GS-2669RT.....15, 17, 23, 25	
	DECAL,COSMETIC,GENIE GS-3369RT.....31, 33, 39, 41	
	DECAL,COSMETIC,GENIE GS4069RT.....47, 49, 55, 57	
	DECAL,CRUSH HAZ RAILS SYMB....23, 25, 39, 41, 55, 57	

- DECAL,NOTICE,INST,PLAT-GS69RT.....15, 17, 31, 33, 47, 49  
 DECAL,NOTICE,KUB,D1105,T4.....11, 27, 43  
 DECAL,NOTICE,KUBOTA GAS SPECS.....11, 27, 43  
 DECAL,NOTICE,MAN FRC,3369 AUS.....33  
 DECAL,NOTICE,MAN FRC,4069.....49  
 DECAL,NOTICE,MAX CAP GS2669.....15, 17, 23, 25  
 DECAL,NOTICE,MAX CAP GS3369.....33, 39, 41  
 DECAL,NOTICE,MAX CAP GS4069.....47, 49, 55, 57  
 DECAL,NOTICE,MAX CAP,GS3369.....31  
 DECAL,NOTICE,OP INST,GROUND.....13, 29, 45  
 DECAL,NOTICE,PERKINS 403D SPEC.....11, 27, 43  
 DECAL,NOTICE,SIDE FRC,2669 ANS.....15  
 DECAL,NOTICE,SIDE FRC,3369 ANS.....31  
 DECAL,NOTICE,SIDE FRC,4069 ANS.....47  
 DECAL,NOTICE,TIRE SPECS.....11, 13, 27, 29, 43, 45  
 DECAL,NOTICE,TIRE SPECS, REAR.....11, 13, 27, 29, 43, 45  
 DECAL,PLAT CONTROL PANEL GS69.....15, 17, 23, 25, 31, 33, 39, 41, 47, 49, 55, 57, 139  
 DECAL,POWER TO PLATFORM 115V.....13, 15, 17, 21, 23, 25, 29, 31, 33, 37, 39, 41, 45, 47, 49, 53, 55, 57  
 DECAL,POWER TO PLATFORM 230V.....13, 15, 17, 21, 23, 25, 29, 31, 33, 37, 39, 41, 45, 47, 49, 53, 55, 57  
 DECAL,SKIN INJECTION...11, 13, 27, 29, 43, 45  
 DECAL,SYM-TIP-OVER,OUTRGR.....23, 25, 39, 41, 55, 57  
 DECAL,SYM-TIP-OVR,LIM SWITCH....19, 35, 51  
 DECAL,SYM-TIP-OVR,TILT ALARM.....23, 25, 39, 41, 55, 57  
 DECAL,SYMBOL-BATTERY SAFETY.....19, 35, 51  
 DECAL,SYMBOL-COMP ACCESS.....19, 21, 35, 37, 51, 53  
 DECAL,SYMBOL-CRUSHING HAZARD.....19, 21, 35, 37, 51, 53  
 DECAL,SYMBOL-ELEC HAZARD,GS.....19, 21, 35, 37, 51, 53  
 DECAL,SYMBOL-FOOT CRUSHING....19, 21, 35, 37, 51, 53  
 DECAL,SYMBOL-READ THE MANUAL.....21, 23, 25, 37, 39, 41, 53, 55, 57  
 DECAL,SYMBOL-SKIN INJECT HAZRD....19, 21, 35, 37, 51, 53  
 DECAL,SYMBOL-USE SAFETY ARM.....19, 21, 35, 37, 51, 53  
 DECAL,WARN,IMPROPER OPERATION...15, 17, 31, 33, 47, 49  
 DECAL,WARNING,CRUSHING HAZARD...11, 13, 27, 29, 43, 45  
 DECAL,WARNING,HOT SURFACE.....11, 27, 43  
 DIAGNOSTIC FEMALE Q-DSCNT.....143-144  
 DIODE,2 AMP.....105  
 DIP STICK, DF972.....73-74  
 DIPSTICK GUIDE,D-1105.....87  
 DIPSTICK TUBE,PERKINS 104-22\*\*.....89-90  
 DIPSTICK,D-1105.....87  
 DIPSTICK,STRAIGHT SHORT.....89-90
- E**
- E-COIL WASHER,#8,DUAL COIL.....143-144  
 ECU,GS69 IC, GEN 2.....105  
 ELBOW,010202-6-4.....73-74  
 ELBOW,45D,520320-16.....157  
 ELBOW,90D,520220-4-6\*\*\*.....59, 157  
 ELBOW,90D,520220-6.....157, 159, 183  
 ELBOW,90D,520220-8-10.....157  
 ELBOW,90D,520220-8-12.....157, 159, 167  
 ELBOW,90DEG.1/4 MPT-5/16 BARB.....99-100  
 ELBOW,SWIVEL 90D, 520221-6.....183  
 EXHAUST MANIFOLD, DF972.....71  
 EXTRUSION,ALUM,V-ROLLER TRK.....133  
 EXTRUSION,RUBBER BUMPER STRIP.....99-100
- F**
- FAN.....93  
 FAN - VENTED.....169  
 FAN DRIVE PULLEY,KUBOTA.....81  
 FAN PULLEY.....93  
 FILTER ASSY,HIGH PRESS SAE-12\*.....97  
 FILTER ASSY,SAE 12 NO INDICAT\*.....100  
 FILTER ELEMENT,10 MICRON.....100  
 FILTER,AIR,D1105.....85  
 FILTER,ELEMENT,BETA(5)=1000.....97  
 FILTER,FUEL,IN-LINE\*\*.....100  
 FILTER,FUEL,PERKINS.....89-90  
 FILTER,FUEL/WATER SEPARATOR\*\*\*.....83  
 FILTER,OIL,KUBOTA.....71  
 FILTER,OIL,KUBOTA D-905/D-1105.....81  
 FILTER-AIR CLEANER Z482-E.....90  
 FILTER/SEPARATOR,FUEL DIESEL\*\*.....83, 89-90  
 FITTING,90DEG ELBOW.....73-74  
 FITTING,CONN,520120-12.....157, 159, 169, 171  
 FITTING,CONN,520120-6...153, 155, 157, 183  
 FITTING,CONN,520120-6-8\*\*\*.....63-64, 183  
 FITTING,CONN,520120-8-6.....59, 159  
 FITTING,ELBOW,90D,520220-6-8\*\*.....159  
 FITTING,REDUCER,520123-12-8\*\*\*.....167  
 FLYWHEEL.....93  
 FLYWHEEL, WG972.....73-74  
 FOOTPAD ASSY,RTSC OUTRIGGER.....181  
 FORM,O/R FRONT CLAMP,HI FLOAT.....175  
 FORMING ENGINE TRAY STOP.....97  
 FORMING, AIR CLNR MNT,PRK 403D P.....90  
 FORMING, ENGINE MNT, LFT, D-11.....87  
 FORMING, ENGINE MNT, RT, D1105.....87  
 FORMING, LATCH CATCH.....111  
 FORMING, LINK GUARD, BACK, 26/33.....187  
 FORMING, LINK GUARD, FRONT, 26/33.....187  
 FORMING, LINK GUARD, SIDE, 26/33.....187  
 FORMING, PULL HANDLE.....79  
 FORMING, PULL HANDLE, D1105.....87  
 FORMING, RADIATOR MOUNT, D1105.....87  
 FORMING, SAFETY ARM.....115, 117, 121  
 FORMING,AIR CLEANER MT,DF-972.....73-74, 77  
 FORMING,BATTERY TIE DOWN.....95  
 FORMING,BEACON MOUNT.....161  
 FORMING,CHASSIS COVER.....67  
 FORMING,CHOKE SOL.MOUNT,DF972.....79  
 FORMING,CLAMP,CHASSIS,FRONT.....63-64  
 FORMING,DOOR LATCH HANDLE,LT.....109  
 FORMING,DOOR LATCH HANDLE,RT.....109  
 FORMING,DOWN LIMIT SWITCH MNT...115, 119, 123  
 FORMING,DRIVE HOSE CLAMP MOUNT.....63-64  
 FORMING,ENG MNT LT,PRK 403D.....93  
 FORMING,ENG MNT RT,PRK 403D.....89-90  
 FORMING,ENGIE MOUNT,LT,DF-972.....79  
 FORMING,ENGINE MOUNT,RT,DF-972.....77, 79  
 FORMING,EXT DECK CATCH.....133  
 FORMING,EXT DECK STOP,RIGHT.....133  
 FORMING,FUEL FILTER MNT,D-1105.....83, 87  
 FORMING,GAS DOOR.....109, 111  
 FORMING,GEN HOSE CLAMP MOUNT....163  
 FORMING,GENERATOR,GFCI,GS69.....99-100  
 FORMING,HIGH PRESS FILTER BRKT.....97  
 FORMING,LINK GUARD,SIDE,OPT,40.....187  
 FORMING,LINKGUARD,BOXTOP.....187  
 FORMING,LINKGUARD,END,40.....187  
 FORMING,LINKGUARD,SIDE,40.....187  
 FORMING,LNK GRD,SIDE,OPT,26/33.....187  
 FORMING,MID CW BRACKET.....67  
 FORMING,O/R FRONT CLAMP.....175  
 FORMING,O/R HOSE COVER.....177  
 FORMING,O/R LIM SWTCH BRACKET....177  
 FORMING,OIL COOLER COVER,GS69.....169  
 FORMING,OSC.COVER,GS69.....61  
 FORMING,PLATFORM STOP,RIGHT.....133  
 FORMING,PLATFORM STOP,LEFT.....133  
 FORMING,PULL HANDLE,PERKINS.....89-90  
 FORMING,RAD.INTERFACE,D-1105.....95  
 FORMING,RAD.INTERFACE,DF-972.....95  
 FORMING,RAD.MOUNT,D972.....79  
 FORMING,RAD.SHROUD,PERKINS.....89-90  
 FORMING,RADIATOR SHROUD,403D.....89-90  
 FORMING,REAR DRIVE HOSE CLAMP....63-64  
 FORMING,SOLENOID MNT,D-1105.....83  
 FORMING,SOLENOID MNT,PRK,403D.....89-90  
 FORMING,TRACT MAN MOUNT,LEFT.....103  
 FORMING,TRACT MAN MOUNT,RIGHT....103  
 FORMING,TRACTION MANIFOLD BASE..103  
 FORMING,UPPER RAD.SUPPORT.....89-90  
 FREEZE PLUG HEATER,DF972,Z34.....173  
 FREEZE PLUG HEATER,Z34IC/BE.....173  
 FUEL FILTER ASSEMBLY.....89-90  
 FUEL INJECTOR.....89-90  
 FUSE BLOCK, ANN & ANL FUSE.....100  
 FUSE HOLDER,ATC 3-30 AMPS.....105, 169  
 FUSE,13 AMP,220V PLUG.....137  
 FUSE,20 AMP,ATC.....169  
 FUSE,5 AMP,ATC.....105
- G**
- GASKET (52532) OIL DRAIN, D905.....81  
 GASKET, EXH. MANIFOLD, WG972.....71  
 GASKET, FUEL LEVEL GAUGE, GAS.....99-100  
 GASKET, UK & DIN PWR. TO PLAT.....99-100, 137  
 GASKET, UK RECEPTACLE.....137  
 GASKET, VALVE COVER, WG972.....71  
 GASKET,AIR CLEANER, DF-750.....73-74



KIT,BEACON RESISTOR,GS69.....105  
 KIT,GASKET,UK POWER TO PLAT.....137  
 KIT,GEN 5 COIL CORD.....139  
 KIT,HOUSING,COUPLER,APILOT,GDN.....85  
 KIT,JOYSTICK ENABLE SWITCH.....141  
 KUBOTA HOSE,D905, D1105.....81  
 KUBOTA OIL FILLER PLUG,V1305.....81

**L**

L.P.TANK LATCH.....107  
 LADDER ASSY,2669&3369.....67  
 LADDER ASSY,GS4069.....67  
 LATCH, LRG PADDLE HANDLE GS90.....111  
 LATCH,BATT/HYDR TRAY\*\*\*.....109  
 LENS,FLASHING BEACON.....161  
 LEVEL SENSOR,LS60,BLUE,2X3\*.....99-100  
 LEVEL,BUBBLE 3 DEGREE.....177  
 LEVEL,BUBBLE,2 DEGREE \*.....177  
 LEVER,GOVERNOR,DF\*\*\*.....77  
 LIFT PUMP (FUEL).....89-90  
 LOWER CONTROL PANEL ASSY,GS69.....105  
 LUG BOLT,45 DEG,1/2-20 UNF.....59

**M**

MAIN PLAT DECK ASSY,2669,SY,ANSI.....125  
 MAIN PLAT DECK ASSY,2669,SY,CE.....125  
 MAIN PLAT DECK ASSY,2669,WO,ANSI.....125  
 MAIN PLAT DECK ASSY,2669,WO,AUS.....125  
 MAIN PLAT DECK ASSY,3369,SY,ANSI.....127  
 MAIN PLAT DECK ASSY,3369,SY,CE.....127  
 MAIN PLAT DECK ASSY,3369,WO,ANSI.....127  
 MAIN PLAT DECK ASSY,3369,WO,AUS.....127  
 MAIN PLAT DECK ASSY,4069,SY,ANSI.....127  
 MAIN PLAT DECK ASSY,4069,SY,CE.....127  
 MAIN PLAT DECK ASSY,4069,WO,ANSI.....127  
 MAIN PLAT DECK ASSY,4069,WO,AUS.....127  
 MAIN PLAT RAIL ASSY,LT.....129  
 MAIN PLAT RAIL ASSY,RT.....129  
 MANIFOLD ASSEMBLY, GEN.....165  
 MANIFOLD HANDLE,GS69.....103  
 MANIFOLD, INLET.....81, 85  
 MANIFOLD,EXHAUST.....93  
 MANIFOLD,EXHAUST,KUBOTA D905.....81  
 MANIFOLD,OUTRIGGER,GS69.....179  
 MOTOR,22.8 CI/REV,GEROTOR.....59  
 MOTOR,PISTON,LC25,6.5 DEG,13T.....63-64  
 MOUNT, RADIATOR, D1105.....87  
 MUFFLER ASSEMBLY.....81  
 MUFFLER,RND,TYPE 5,4.57 DIA.....90

**N**

NICKEL PLATED JAM NUT.....105  
 NIPPLE,DIAGNOSTIC,#4 PORT\*\*\*...143-144,  
 149, 157, 159  
 NO PLUG.....137  
 NUT - PLASTIC,RING FOR ALARMS.....139  
 NUT, EXH. MAN., WG972.....71  
 NUT, FAN COVER, D1105.....87  
 NUT, RADIATOR 8MM, WG972.....79  
 NUT,ACORN 3/8-16 PLATED.....187  
 NUT,CASTLE,1.125-18 UNEF.....59  
 NUT,COIL (39909).....153  
 NUT,EXHAUST MANIFOLD.....81  
 NUT,HEX,1/4-28.....79  
 NUT,HEX,FLG,3/8-16.....97  
 NUT,LOCKING-LG.FLANGE, «-13.....63-64  
 NUT,LOCKING-LG.FLANGE,5/16-18.....73-74,  
 87, 93

NUT,LOCKING-LRG.FLANGE,3/8-16.....133  
 NUT,LP NYLOCK,1/4-20...109, 115, 117, 121,  
 123, 131, 133, 135, 139  
 NUT,LP NYLOCK,10-32.....77, 111  
 NUT,LP NYLOCK,3/8-16.....63-64, 69, 97, 103,  
 107, 133  
 NUT,LP NYLOCK,5/16-18.....81  
 NUT,LP NYLOCK,5/8-11.....129, 177  
 NUT,LUG,5/8-18 X 90 DEGREE,Z45.....63-64  
 NUT,NYLOCK,1/2-13.....59, 67, 77, 93, 95, 97,  
 99-100, 103, 107, 115, 119, 123, 125, 163  
 NUT,NYLOCK,1/4-20.....63-64, 71, 73-74, 77,  
 79, 83, 89-90, 95, 99-100, 105, 111, 129, 131,  
 133, 137, 161, 169, 177  
 NUT,NYLOCK,10-24.....63-64  
 NUT,NYLOCK,10-32.....87, 100, 105, 161, 175,  
 177  
 NUT,NYLOCK,3/4-10.....175  
 NUT,NYLOCK,3/8-16.....61, 64, 67, 69, 77, 79,  
 87, 95, 97, 99-100, 103, 109, 111, 115, 117,  
 119, 121, 123, 127, 129, 131, 133, 135, 163,  
 169, 177, 181, 185, 187  
 NUT,NYLOCK,5/16-18.....83, 87, 99-100, 109,  
 133, 163  
 NUT,NYLOCK,8-32.....64, 69, 115, 119, 123,  
 177  
 NUT,SOLENOID VALVE,OUTRIGGERS.....181  
 NUT,TAILPIPE,KUBOTA, 2668.....77  
 NUT,VALVE COVER CAP, D905.....81  
 NUT-COIL SHORT.....143-144, 147, 179  
 NUT-COIL,REXROTH DO3 VALVE.....147  
 NUT-SELF LOCKING, M8X1.25MM.....71, 73-  
 74  
 NUTS,EXHAUST.....93

**O**

O-RING KIT (ORFS FITTINGS).....143-144  
 O-RING,2-010,VITON.....63-64  
 O-RING,2-157,VITON\*\*\*.....63-64  
 O-RING,END COVER,OMNI\*\*\*.....63-64  
 O-RING,OIL FILLER PLUG,KUBOTA\*.....81  
 O-RING,OIL FILLER PLUG,WG972.....71  
 O-RING-4.....151  
 OIL COOLER W/FAN, 12VDC.....169  
 OIL FILTER - PERKINS.....89-90  
 OIL PAN.....81  
 ORIFICE PLUG, 0.035.....149  
 ORIFICE PLUG, 0.060.....147  
 ORIFICE PLUG,030,1/16-27 NPT.....149  
 ORIFICE,LONG, .046.....153  
 ORIFICE,LONG, .086".....153  
 OUTLET,110V GFCI\*\*\*.....99-100, 137

**P**

PAD,SENSE AXLE REST.....64  
 PCB,RT PLATFORM CONTROLS\*\*\*.....139  
 Perkins 404D-22T Engine Spec Decal.....79  
 PETCOCK, DRAIN, WG972.....73-74  
 PETCOCK,DRAIN,KUBOTA WG750B.....81  
 PIN, CYLINDER, LONG.....115, 119, 123  
 PIN, SHOULDER, 5/8-11 X 1.77.....129  
 PIN, WIRE LOCK 3/8 X 2 -1/2.....129, 131, 133  
 PIN,1.00DIAx5.27LG,1HOLE.....61, 97  
 PIN,1.25 DIA X 5.00 LG,1 HOLE.....115, 119,  
 123  
 PIN,1.50 DIA X 2.75 LG,1 HOLE.....115, 119,  
 123  
 PIN,CENTER LINK,GS69.....115, 117, 121

PIN,CLEVIS,1 X 2.5 LG.....59  
 PIN,END LINK,GS69.....115, 117, 121  
 PIN,OSC PIVOT.....64  
 PIN,UPPER CYLINDER.....123  
 PIPE ASSY-OVERFLOW-D905.....83  
 PIPE, BREATHER JOINT, WG972.....73-74  
 PIPE,BREATHER JOINT,WG972.....71  
 PIPE,INJECTOR 1, 403C-11.....89-90  
 PIPE,INJECTOR 1,D905,D1105.....83  
 PIPE,INJECTOR 2, 403C-11.....89-90  
 PIPE,INJECTOR 2,D905,D1105.....83  
 PIPE,INJECTOR 3, 403C-11.....89-90  
 PIPE,INJECTOR 3,D905,D1105.....83  
 PIPE,INLET, D905.....85  
 PLAT CONTROL BOX, GS69 GEN 2.....139  
 PLAT EXT DECK RAIL ASSY,END,SY.....133  
 PLAT EXT DECK RAIL ASSY,END,WO.....133  
 PLAT SIDE EXT RAIL ASSY,LT.....133  
 PLAT SIDE EXT RAIL ASSY,RT.....133  
 PLATE, CASTLE NUT LOCK.....59  
 PLATE, CYL UP LIMIT.....181  
 PLATE, O/R MOUNT, HI FLOAT.....175  
 PLATE,AC ADAPTER,DIN/UK\*\*\*.....99-100,  
 137  
 PLATE,BACKING,LINKS.....115, 117, 121, 123  
 PLATE,BUBBLE LEVEL MOUNT.....177  
 PLATE,GLWPLUG,RELAY MT,D1105.....87  
 PLATE,GS69 DECK.....129, 133  
 PLATE,HOSE ROUTG,BULKHEAD(PTD)...63-  
 64  
 PLATE,HYD TANK FILLER COVER....109, 111  
 PLATE,LIMIT SWITCH,LS.....69  
 PLATE,O/R SPACER, HI FLOAT.....175  
 PLATE,OUTRIGGER MOUNT.....175  
 PLATE,REAR CW BRACKET.....67  
 PLATE,SENSE AXLE SWITCH.....63-64  
 PLATE,UK POWER TO PLATFORM.....137  
 PLATE,UP L.S. MOUNT.....69  
 PLATE,UPR CYL,PIN RETAINR 4069.....123  
 PLUG AND CAP KIT-SERVICE,ORFS\*.....143-  
 144  
 PLUG PLUGENGINEOIL,D1105 BTM.....81  
 PLUG, AUSTRALIAN.....137  
 PLUG, ENGINE OIL, D1105.....81  
 PLUG, PORT SAE #8 HEX SOCKET.....143-  
 144  
 PLUG, PORT SAE#4 HX SOCK.....144, 147,  
 149  
 PLUG, PORT SAE#6 HX SOCK.....143-144,  
 149  
 PLUG,1/4"SERIES,3/8 MPT.....185  
 PLUG,ALARM BEACON HOLE.....111  
 PLUG,ELECTRICAL,220/50,NOVON.....137  
 PLUG,ELECTRICAL,DOMESTIC.....137  
 PLUG,ENGINE OIL DRAIN,D-905\*\*\*.....81  
 PLUG,FUSED,250V,13AMP,U.K.\*.....137  
 PLUG,HEX SOCKET,090109B-4.....151  
 PLUG,HEX,090109A-8\*\*\*.....157  
 PLUG,NYLON .50 BLACK DOMED.....109, 111  
 PLUG,OIL FILLER Z482,Z34/22BE\*.....71  
 PLUG,PWR,UK,16AMP,3PIN,BLK.....137  
 PLUG,TUBE,SQ 1.50X.065.....129, 131, 133  
 PULLEY,FAN,KUBOTA, D-905,GS68.....81  
 PULLEY,FAN,WG750B\*\*\*.....71  
 PUMP,FUEL,KUBOTA D905.....83  
 PUMP,FUEL,WG750B,IN-LINE.....99-100  
 PUMP,GEAR,16CC\*\*\*.....74, 85, 93  
 PUMP,INJECTION ASSY, D905.....83  
 PUMP,PRIMER,PERKINS\*\*\*.....89-90

## Part Description Index (continued)

- PUMP,WATER.....93  
 PUSH RETAINER, 3/8" SCREW.....63-64, 95, 103
- R**
- RAD. FAN,5-BLADE,DF-972.....71  
 RAD. FAN,7-BLADE,D-1105.....81  
 RADIATOR.....93  
 RADIATOR ASSY, DF972.....79  
 RADIATOR ASSY,ALUM.D-905.....87  
 RADIATOR CAP,DF972.....79  
 RADIATOR HOSE, LOWER, DF972.....79  
 RADIATOR HOSE, UPPER, DF972.....79  
 RAIL SPACER, GS90.....129  
 RECEPTACLE, DIN, 220V 50A.....99-100, 137  
 RECEPTACLE,UK,110V.....137  
 REDUCER,520123-12-6.....157  
 REGULATOR, FLOW 2GPM.....143-144  
 REGULATOR, FLOW, 25GPM.....143-144  
 REGULATOR, FLOW, 6GPM.....143-144  
 REGULATOR,LPG,KUBOTA,DF-752\*\*\*.....73-74  
 RELAY MODULE(89996,89998).....77  
 RELAY,12VDC,70AMP,SEALED.....87  
 RELAY,SPDT,12V(AUTO) PLUG IN\*\*.....105, 169  
 RELIEF VALVE.....143-144  
 RESISTOR, 1000 OHM 1/4 WATT.....105  
 RESISTOR, 620 OHM 1/4 WATT.....105  
 RETAINER, GS68 O/R FOOTPAD\*\*.....181  
 RIVET,DRIVE, .25 X .25.....129, 133  
 ROD END,.375 X 2.25\*\*\*.....59, 61, 64, 97  
 ROD END,.50 X 4.....115, 119, 123  
 ROD, GOVERNOR, WG972.....77  
 ROLLER,PLASTIC,AWP96\*\*.....133  
 RUBBER, VIBRATION MOUNT.....177  
 RUE RING 1.00.....59
- S**
- SCREW, 8MMX1.25X30MM, WG972.....79  
 SCREW, WASH HEAD, 20-9X5/8.....99-100  
 SCREW,FHM,10-32 X 1.....100  
 SCREW,FHM,6-32 X .75.....99-100  
 SCREW,HHC,1/2-13 X 1, GR 5.....63-64  
 SCREW,HHC,1/2-13 X 1.75.....67, 115, 119, 123  
 SCREW,HHC,1/2-13 X 2 GR5.....67, 115, 119, 123, 175  
 SCREW,HHC,1/2-13 X 4.5,GRD.8.....107, 163  
 SCREW,HHC,1/2-13X2.25 GRD 8.....77, 93  
 SCREW,HHC,1/4-20 X .5.....61  
 SCREW,HHC,1/4-20 X .625.....135  
 SCREW,HHC,1/4-20 X .75.....63-64, 67, 79, 83, 89-90, 99-100, 105, 133, 137, 169  
 SCREW,HHC,1/4-20 X 1.....77, 83, 105  
 SCREW,HHC,1/4-20 X 1.25.....89-90  
 SCREW,HHC,1/4-20 X 1.25, TAP.....109  
 SCREW,HHC,1/4-20 X 1.75.....59, 129, 169, 175  
 SCREW,HHC,1/4-20 X 2.....97, 121, 131  
 SCREW,HHC,1/4-20 X 2.25.....169  
 SCREW,HHC,1/4-20 X 5.....109  
 SCREW,HHC,3/4-10 X 2.75.....175  
 SCREW,HHC,3/8-16 X .50 GR.5.....69  
 SCREW,HHC,3/8-16 X .75.....59, 64, 97, 103, 107, 185  
 SCREW,HHC,3/8-16 X .88,GRD 8.....59, 69  
 SCREW,HHC,3/8-16 X 1.....107, 129, 133  
 SCREW,HHC,3/8-16 X 1.25 GRD 5.....74, 77, 79, 85, 87, 93, 97, 99-100, 109, 111, 123, 163, 169, 177  
 SCREW,HHC,3/8-16 X 1.50,GR5.....67, 87  
 SCREW,HHC,3/8-16 X 1.75,GRD.8.....61  
 SCREW,HHC,3/8-16 X 2.....177  
 SCREW,HHC,3/8-16 X 2.25.....131, 133  
 SCREW,HHC,3/8-16 X 2.75.....115, 117, 121, 181  
 SCREW,HHC,3/8-16 X 3...115, 117, 121, 135, 163  
 SCREW,HHC,3/8-16 X 3.5,GR5.....87  
 SCREW,HHC,5/16-18 X 1 GR5.....163  
 SCREW,HHC,5/16-18 X 1 INCH.....87  
 SCREW,HHC,5/16-18 X 1.25.....73-74, 87, 163  
 SCREW,HHC,5/16-18 X 1.50.....83  
 SCREW,HHC,7/16-14 X 1.25.....63-64  
 SCREW,HHC,FLG,1/4-20 X 2.00.....73-74  
 SCREW,HHC,M10 X 1.25 X 30MM\*\*.....79, 87  
 SCREW,HHC,M10 X 1.25 X 35MM.....77, 79, 87  
 SCREW,HHC,M12X 1.25X36MM,GR8.8.....89-90  
 SCREW,HHC,M12X1.25X25,GR 8.8.....93  
 SCREW,HHC,M6 X 16.....79  
 SCREW,HHC,M8 X 1.25 X 25.....89-90  
 SCREW,HHC,M8 X 30MM,GRD 8.8.....81, 89-90  
 SCREW,M8 X 35MM.....85  
 SCREW,PHIL,8-32X.50,SELF TAP.....99-100  
 SCREW,PHIL,PHM,10-24 X.5,SEMS.....89-90  
 SCREW,PHILLIPS,PHM,10-32 X .38.....105  
 SCREW,PHILLIPS,PHM,10-32 X .5.....105  
 SCREW,PHILLIPS,PHM,10-32 X .75.....105, 161, 177  
 SCREW,PHILLIPS,PHM,10-32 X1.25.....77  
 SCREW,PHILLIPS,PHM,6-32 X .75.....137  
 SCREW,PHILLIPS,PHM,8-32 X 1.00.....177  
 SCREW,PHILLIPS,PHM,8-32 X 1.25.....69, 115, 119, 123  
 SCREW,PHILLIPS,PHM,8-32 X.25\*\*.....105  
 SCREW,PHM,1/4-20X.5 PHIL.....99-100  
 SCREW,PHM,8-32X.438.....137  
 SCREW,PPH,8-32X.50,ZINC,TRS.....99-100  
 SCREW,RHM,10-32 X .75.....87  
 SCREW,RHM,8-32 X 1.....63-64  
 SCREW,RHM,M6 X 12MM.....87  
 SCREW,SHC,1/2-13 X 4 ZINC.....59  
 SCREW,SHC,10-32 X .75.....111  
 SCREW,SHC,3/8-16 X 1.5.....97  
 SCREW,SHC,5/8-11 X 1.5 NDPATCH.....64  
 SCREW,SHM,PHP, #12 X .75.....105  
 SCREW,SHS,3/8-16 X .5.....103  
 SCREW-AIR BREATHER, D905.....83  
 SEAL KIT.....153  
 SEAL KIT FOR 105628.....149  
 SEAL KIT, (131428).....181  
 SEAL KIT, HYD MOTOR, GEN.....165  
 SEAL KIT, VALVE.....143-144, 147, 153  
 SEAL KIT, WHEEL DRIVE.....63-64  
 SEAL KIT,226380.....151  
 SEAL KIT,52907,SIZE 4, 2 WAY.....143-144, 149  
 SEAL KIT,62329,SIZE 12, 3 WAY.....143-144  
 SEAL KIT,BOSCH PUMP\*\*\*.....74, 85, 93  
 SEAL KIT,DR MTR.GS15/19,Z20\*\*\*.....59  
 SEAL KIT,MOTOR,LC/KC\*\*\*.....63-64  
 SEAL KIT,REXROTH DO3 VALVE.....147  
 SEAL KIT,SOLENOID(52377).....143-144, 147  
 SEAL KIT,STEER CYL (89065).....59  
 SEAL KIT,SUN T-2A CP VALVE.....149  
 SEAL KIT-P.N.44169,44172,44171.....147, 179  
 SEAL, RUBBER 90D BULB, 14IN.....95  
 SEAL, RUBBER 90D BULB, 15IN.....87, 89-90  
 SEAL, RUBBER STRT BULB, 15.25".....79, 95  
 SEAL, RUBBER STRT BULB, 21".....95  
 SEAL, RUBBER STRT BULB, 9.5".....95  
 SENSOR,LEVEL, ANALOG.....99-100  
 SENSOR,WATER TEMPERATURE.....93  
 SEPARATOR/FILTER ELEMENT,FUEL\*.....89-90  
 SHOCK MOUNT,LARGE\*\*.....87  
 SHROUD, RADIATOR.....79  
 SLIDE BLOCK,DOOR WEDGE,HDPE.....111  
 SLIDE BLOCK,ENGINE TRAY.....97  
 SLIDER BLOCK, GS69.....115, 117, 121, 125, 127  
 SLIDER, GATE CATCH.....131  
 SNAP RING,EXTERNAL,1.5 DIA\*\*\*..115, 117, 121  
 SOLENOID KIT,SHUT DN,PERKINS.....89-90  
 SOLENOID, KUBOTA,DF972.....71  
 SOLENOID,1"STRIKE,12V,SYNCR\*\*\*.....79, 83  
 SOLENOID,32193 STARTER,D905.....81  
 SOLENOID,FUEL SHUTOFF,D905\*\*\*.....83  
 SOLENOID,THROTTLE ACTUATOR DSL.....89-90  
 SOLENOID,THROTTLE W/CABLE.....77  
 SPACER, SHOCK MOUNT.....87  
 SPACER-DUAL COIL,#10, SCISSORS.....179  
 SPARK PLUG WIRE 1.....77  
 SPARK PLUG WIRE 2.....77  
 SPARK PLUG, DF972.....77  
 SPEED CONTROL ASSY.....83  
 SPRING CLIP,1/4-20,.025-.15X.5.....59, 63-64, 67, 97, 99-100, 169, 175  
 SPRING CLIP,3/8-16.....109, 111, 133, 163, 177  
 SPRING CLIP,3/8-16,.05-20X.73.....69  
 SPRING, GOVERNOR, WG972.....77  
 SPRING, COMPRESSION .835 X 2.....131  
 SPRING,GOVERNOR,LOWER, WG750\*\*\*.....77  
 SPRING,RETURN,SPEED CONTR,D905...83  
 SPRING,TENSION-1.25 X.438 DIA.....83, 89-90  
 STARTER MOTOR, KUBOTA, DF972.....71  
 STARTER, PERKINS, 403D.....93  
 STARTER,KUBOTA D905 VERS 2\*\*\*.....81  
 STAY, RADIATOR, WG972.....79  
 STAY,ALTERNATOR, D-1105.....81  
 STEER SWITCH REPAIR KIT\*\*\*.....141  
 STEER YOKE ASSY.....59  
 STRAINER,16 SAE F/24 SAE M.....157  
 STRAINER,FILLER NECK.....99-100  
 STRAP, RUBBER STEP SUPPORT.....67  
 STUD,EXHAUST MANIFOLD.....81  
 STUDS,EXHAUST.....93  
 SUBASSY,IC REAR AXLE.....63-64  
 SUPPORT, KIT RADIATOR, WG972.....79  
 SVC KIT,UK RECEPT.REPLACEMENT.....137  
 SWITCH, OIL PRESSURE.....89-90  
 SWITCH, PRESSURE,0-3000PSI ADJ.....153  
 SWITCH,LIMIT,PLUNGER,SMALL.....63-64, 115, 119, 123  
 SWITCH,LIMIT,W/ROLLER ARM.....69, 177  
 SWITCH,LIMIT,ZCY15 ARM.....69  
 SWITCH,OIL,D-1105.....81  
 SWITCH,OIL,PRESSURE,KUBOTA.....71, 81  
 SWITCH,WATER TEMP.....71, 81

**T**

T-BOX,2.75 X 4.5 X 2.0.....99-100, 137  
 TAILPIPE,403D-11,GS69.....90  
 TAILPIPE,DF-972,GS69.....71  
 TAILPIPE,DIESEL,GS69.....81  
 TAILPIPE,END,UNIV.....71, 81, 89-90  
 TAILPIPE,EXTENSION,UNIV.....71, 81, 89-90  
 TANK STRAP,BOLT STYLE,HYD,GS69.....99-100  
 TANK STRAP,FUEL,BOLT STYLE,69.....99-100  
 TANK, LP, 7 GAL.....107  
 TANK,GAS,10 GAL.....99-100  
 TANK,HYDRAULIC,18 GALLON\*\*\*.....99-100  
 TAPE, NON-SKID,2"X14".....175  
 TAPE,WARNING,BLK/YEL, 50\*\*\*.....133  
 TEE,BULKHEAD,RUN,520120-6.....155, 159  
 TEE,BULKHEAD,RUN,520958-4.....157, 159, 183  
 TEE,RUN,520428-12.....157  
 TEE,RUN,FEMSW,520432-12.....167  
 TEE,RUN,SWIVEL,520432-6.....167, 183  
 TELEMATICS LEADS, GS69RT.....113  
 TERMINAL RAIL,GS69.....105  
 THERMOSTAT.....71, 81  
 THERMOSTAT -OIL COOLER (71259).....169  
 THERMOSTAT COVER.....81  
 THERMOSTAT HOUSING, DF972.....71  
 TRIMLOCK,BLACK,3/16.....169  
 TURNSWITCH ACTUATOR,JOYSTICK\*\*.....141

**U**

UHMW,EXT LATCH ARM CATCH.....135  
 UNION,BULKHEAD,ORFS,-6-6.....157

**V**

V-ROLLER,NARROW,EXT DECK.....129  
 VALVE COVER, D905.....81  
 VALVE COVER,EG972.....71  
 VALVE, CHECK, DROP IN.....143-144  
 VALVE, CV 4.5:1, 3500 PSI.....149  
 VALVE, DIRECTIONAL, P-COMP.....143-144  
 VALVE, ELEC-PROP, 2W NC.....143-144  
 VALVE, FLOW CONTROL, P-COMP.....143-144  
 VALVE, FLOW DIV/COMB, 50-50,12GPM.....147  
 VALVE, FLOW DIV/COMB, 75-25.....147  
 VALVE, FLOW DIV/COMB,50-50, 24GPM.....149  
 VALVE, NEEDLE, 10GPM.....147  
 VALVE, PRESS. CNTRL 15GPM.....143-144  
 VALVE, PRESS. REDUCING, 250PSI.....149  
 VALVE, RELIEF, 3300 PSI.....143-144  
 VALVE, RELIEF, BI-DIR 8GPM.....147  
 VALVE, RELIEF, GEN, 3.0kW.....165  
 VALVE, SOLENOID 3W-2P.....143-144  
 VALVE, SOLENOID, 4W-2P.....147  
 VALVE, SOLENOID, 5W-3P.....143-144  
 VALVE,2 POSITION 2 WAY\*\*\*.....153  
 VALVE,2 WAY,2.5PSI.....73-74, 99-100  
 VALVE,2WAY ,1PSI.....73-74, 99-100  
 VALVE,COUNTERBALNCE,3800 PSI.....151  
 VALVE,DIR,#10 SAE,3 POS. 4 WAY.....179  
 VALVE,DOUBLE PULL SOL SQ 12V.....153  
 VALVE,LP LOCKOUT W/O CONNECTOR.....73-74  
 VALVE,NC,BI-DI,CART\*\*\*.....181

VALVE,RELIEF,3000PSI,GS68PUMP1.....143-144  
 VALVE,SOLENOID, 2POS/3WAY\*\*\*.....147  
 VALVE,SOLENOID,2POS 3 WAY\*\*\*.....143-144  
 VALVE,SOLENOID,2POS2WY,NCGS68\*.....147  
 VALVE-CHECK, #4 SAE, 5 PSI\*.....143-144, 149  
 VALVE-RELIEF,2500PSI.....153  
 VALVE-SOLENOID,2POS/2WAY.....143-144  
 VITON SEAL KIT, VALVE.....143-144  
 VLV,SOL,DO3,REXROTH,3POS 4 WAY.....147

**W**

WASHER ASSY,FILTER ELEMNT,D905.....85  
 WASHER, BELLHOUSING MNT, WG972...73-74  
 WASHER, FAN COVER, D1105.....87  
 WASHER, FLANGE ADPATER, WG972.....73-74  
 WASHER, LOCK, 8MM, WG972.....79  
 WASHER, LOCK, FAN COVER, D1105.....87  
 WASHER, MUFFLER COVER, WG972.....71  
 WASHER,FENDER,.5X2.125.....77, 93  
 WASHER,FLAT,.625 HARDENED.....64  
 WASHER,FLAT,.625 X 2.25 X.15.....87  
 WASHER,FLAT,1.510X2.125.....115, 117, 121  
 WASHER,FLAT,GOV.LEVER, DF750.....77  
 WASHER,FLAT,HARDENED 7/16.....63-64  
 WASHER,FLAT,M6 PLTD.....89-90  
 WASHER,FLAT,MS,#10,Y.....77, 105  
 WASHER,FLAT,MS,#8,Y.....69, 115, 119, 123  
 WASHER,FLAT,SAE,3/8",Y.....133  
 WASHER,FLAT,USS,1/2",Y.....67, 77, 93, 115, 119, 123  
 WASHER,FLAT,USS,1/4"Y.....59, 71, 73-74, 77, 79, 83, 89-90, 97, 105, 109, 129, 131, 133, 175  
 WASHER,FLAT,USS,3/8",Y.....61, 67, 95, 99-100, 103, 119, 123, 127, 133, 135, 163, 169, 187  
 WASHER,FLAT,USS,5/16",Y.....73-74, 87, 89-90, 97  
 WASHER,LOCK,.25.....79, 99-100, 169  
 WASHER,LOCK,.313.....89-90  
 WASHER,LOCK,.375.....74, 85, 93, 97, 103, 109, 111, 187  
 WASHER,LOCK,437,PLTD.....63-64  
 WASHER,LOCK,0.5".....89-90, 93  
 WASHER,LOCK,GOV.LEVER,DF750\*\*\*.....71, 73-74, 77  
 WASHER,LOCK,M10.....77, 79, 87  
 WASHER,LOCK,M8.....81  
 WASHER,NYLON .50 X 1.25 X .063.....103  
 WASHER,STAR,EXTERNAL,#8.....99-100, 177  
 WASHER,STAR,EXTERNAL,.375.....74, 85, 93, 105  
 WASHER-PLAIN.....71  
 WASHER-SOLENOID VALVE (66683)\*.....153  
 WATER PUMP ASSY,KUBOTA.....81  
 WATER PUMP, DF972.....71  
 WEAR PAD,SLIDER FOOT,LOWER.....115, 119, 123  
 WEAR PAD,SLIDER FOOT,UPPER.....115, 119, 123  
 WELDMENT, ENGINE SWING TRAY.....77, 87, 89-90, 97  
 WELDMENT, GS4068 LADDER.....67  
 WELDMENT, MAIN RAIL, LEFT.....129  
 WELDMENT, MAIN, A-RAIL, LEFT.....131

WELDMENT, MAIN, A-RAIL, RIGHT.....131  
 WELDMENT, PLT CTRL GUARD.....139  
 WELDMENT, RISE BRKT, D1105.....87  
 WELDMENT,26/32 LADDER.....67  
 W E L D M E N T , B O X DOOR,LEFT,WINDOW.....109  
 WELDMENT,BOX DOOR,LT,WINDOW.....111  
 WELDMENT,BOX DOOR,RT.....109, 111  
 WELDMENT,BOX DOOR,RT,FUEL.....111  
 WELDMENT,BOX,BATTERY,DC.....111  
 WELDMENT,BOX,ENGINE.....95  
 WELDMENT,BOX,HYD.....103  
 WELDMENT,CHASSIS LINK PVT,2669.....115  
 WELDMENT,DOOR,HYD.BOX,GAS.....109  
 WELDMENT,ENGINE BOX,GS69.....95  
 WELDMENT,ENGINE PIVOT MOUNT.....97  
 WELDMENT,ENTRY GATE\*\*.....131  
 WELDMENT,EXT DECK RAIL,END.....133  
 WELDMENT,EXT.DECK,GS69.....133  
 WELDMENT,GEN COVER,GS69.....163  
 WELDMENT,GEN MOUNT,GS69.....163  
 WELDMENT,GRND CONT,LWR MT.....99-100  
 WELDMENT,HEAD PIPE,PERKINS.....93  
 WELDMENT,KING PIN.....59  
 WELDMENT,LCP,GS69.....105  
 WELDMENT,LINK,OUTER #1.....115, 117, 121  
 WELDMENT,LINK,OUTER #2,3,4.....117, 121  
 WELDMENT,LINK, TOP OUTER,GS69.....115, 117, 121, 125, 127  
 WELDMENT,LOWER LADDER STEP.....67  
 WELDMENT,LP ALIGNMENT PIN\*\*\*.....107  
 WELDMENT,LP CARRIER MOUNT.....107  
 WELDMENT,LP GUARD,RIGHT.....107  
 WELDMENT,MAIN PLATFORM,GS69.....125, 127  
 WELDMENT,MAIN RAIL,RIGHT.....129  
 WELDMENT,MOUNT,LCP,GS69.....99-100  
 WELDMENT,O/R SWITCH COVER.....177  
 W E L D M E N T , O I L COOLER MOUNT,GS69.....169  
 WELDMENT,OSC.AXLE.....59, 61  
 WELDMENT,OUTRIGGER COVER.....177  
 WELDMENT,OUTRIGGER YOKE.....177  
 WELDMENT,PLAT PIVOT,33/4069.....119, 123, 127  
 WELDMENT,PLATFORM PIVOT,2669.....115, 125  
 WELDMENT,RAIN CAP MNT, KUBOTA.....74, 85, 95  
 WELDMENT,SIDE EXT RAIL,LEFT.....133  
 WELDMENT,SIDE EXT RAIL,RIGHT.....133  
 WELDMENT,SLIDER FOOT, 32/4069.....119, 123  
 WELDMENT,SLIDER FOOT, GS2669.....115  
 WELDMENT,TIE ROD.....59  
 WHEEL ASSY,FOAM,12X26,BLK,LF.....59  
 WHEEL ASSY,FOAM,12X26,BLK,LR.....63-64  
 WHEEL ASSY,FOAM,12X26,BLK,RF.....59  
 WHEEL ASSY,FOAM,12X26,BLK,RR.....63-64  
 WHEEL ASSY,FOAM,12X26,NM,LF.....59  
 WHEEL ASSY,FOAM,12X26,NM,LR.....63-64  
 WHEEL ASSY,FOAM,12X26,NM,RF.....59  
 WHEEL ASSY,FOAM,12X26,NM,RR.....63-64  
 WHEEL DRIVE W/ BRAKE,48.1.....63-64  
 WIRE CABLE,14/3 CON,TYPE JKT\*.....137  
 WIRE CAP,ORANGE.....137  
 WIRE HARNESS.....163  
 WLDMNT,PLATFORM SPACER, 2669.....115, 125

---

**Part Description Index (continued)**

WLDMT, HYD BOX GS69.....103  
WLDMT,CHASSIS LINK PVT,33/4069.....119,  
123  
WLDMT,EXT DECK HANDLE.....135  
WLDMT,EXT DECK HANDLE,L.....135  
WLDMT,LINK,OUTER,#2.....115, 117, 121  
WLDT,BOX DOOR,ENG,LT,GS68.....109

**Z**

ZERK,GREASE,1/8 NPT.....181



***This Page Intentionally Left Blank***

## Fitting Cross References

Genie PN	Parker PN	Description	Genie PN	Parker PN	Description
12342	6-4 F5OX-S	CONNECTOR,STRAIGHT THREAD TO FLARE TUBE	42794	1 CR-S	ELBOW,90°,MALE PIPE
13757	4 R6X-S	RUN TEE,SWIVEL NUT,ORFS	42795	BV-0839	BALL VALVE
19685	12-10 C5OX-S	ELBOW,90°,STRAIGHT THREAD TO FLARE TUBE	42796	BV-0838	BALL VALVE
22664	12-10 C5OX	ELBOW,90°,STRAIGHT THREAD TO FLARE TUBE	42874	6-8 CLO-S	ELBOW,90°,MALE PIPE TO ORFS
27431	8-12 F5OX-S	CONNECTOR,STRAIGHT THREAD TO FLARE TUBE	42912	13943-6-4	HOSE END,90° FEMALE SWIVEL,JIC
28678	AS-B-33	SLEEVE,NYLON,1.81" ID	42920	BV-0840	BALL VALVE,90°
39871	6 WETX-WLN-S	UNION,90° BULKHEAD W/NUT,FLARE TUBE	42932	AS-B-17	SLEEVE,NYLON,1.22" ID
39872	4 R5OX-S	RUN TEE,STRAIGHT THREAD	42936	10243-2-4	HOSE END,FEMALE PIPE
39873	6 C5OX-S	ELBOW,90°,STRAIGHT THREAD TO FLARE TUBE	42953	1/2 DD-S	ELBOW,90°,FEMALE PIPE
39874	8-6 C5OX-S	ELBOW,90°,STRAIGHT THREAD TO FLARE TUBE	42956	6 WELO-WLNL-S	UNION,90° BULKHEAD W/NUT,ORFS
39875	4-6 C5OX-S	ELBOW,90°,STRAIGHT THREAD TO FLARE TUBE	45349	8 V5OX-S	ELBOW,45°,STRAIGHT THREAD TO FLARE TUBE
39876	6-8 C5OX-S	ELBOW,90°,STRAIGHT THREAD TO FLARE TUBE	45351	4 V5OX-S	ELBOW,45°,STRAIGHT THREAD TO FLARE TUBE
39877	4 F5OX-S	CONNECTOR,STRAIGHT THREAD TO FLARE TUBE	47223	10343-6-6	HOSE END,MALE,JIC
39878	6 F5OX-S	CONNECTOR,STRAIGHT THREAD TO FLARE TUBE	47419	PS690503-6-6	SWIVEL,90°,STRAIGHT THREAD TO 37° FLARE
39879	4-8 F5OX-S	CONNECTOR,STRAIGHT THREAD TO FLARE TUBE	48750	421-4	HOSE,1/4 INCH ID
39880	6-10 F5OX-S	CONNECTOR,STRAIGHT THREAD TO FLARE TUBE	48751	481TC-4	HOSE,1/4 INCH ID
39881	4-6 F5OX-S	CONNECTOR,STRAIGHT THREAD TO FLARE TUBE	48752	482TC-4	HOSE,1/4 INCH ID
39882	4-HP5ON-S	PLUG,STRAIGHT THREAD	48753	451TC-6	HOSE,3/8 INCH ID
39883	8-8 FTX-S	CONNECTOR,MALE PIPE TO FLARE TUBE	48754	482TC-6	HOSE,3/8 INCH ID
39885	269HB 12-12	ELBOW,90°,BEADED HOSE BARB TO MALE PIPE	48755	381-6	HOSE,3/8 INCH ID
39886	431-6	HOSE,3/8 INCH ID	48756	451TC-8	HOSE,1/2 INCH ID
39887	540N-2	HOSE,1/8 INCH ID	48757	482TC-8	HOSE,1/2 INCH ID
39888	801-8	HOSE,1/2 INCH ID	48758	381-8	HOSE,1/2 INCH ID
39889	801-12	HOSE,3/4 INCH ID	48759	381-10	HOSE,5/8 INCH ID
39890	10643-6-6	HOSE END,FEMALE SWIVEL,JIC	48760	451TC-10	HOSE,5/8 INCH ID
39891	13943-6-6	HOSE END,90° FEMALE SWIVEL,JIC	48761	482TC-12	HOSE,3/4 INCH ID
39892	13743-6-6	HOSE END,45° FEMALE SWIVEL,JIC	48762	451TC-12	HOSE,3/4 INCH ID
39894	30682-8-8	HOSE END,FEMALE SWIVEL,JIC	48763	772-12	HOSE,3/4 INCH ID
39895	30682-10-12	HOSE END,FEMALE SWIVEL,JIC	48764	881-16	HOSE,1 INCH ID
42286	8-8 CTX-S	ELBOW,90°,MALE PIPE TO FLARE TUBE	48765	772-16	HOSE,1 INCH ID
42756	8-12 CLO-S	ELBOW,90,MALE PIPE TO ORFS	48766	AS-B-15	SLEEVE,NYLON,1.06" ID
42757	8-12 FLO-S	CONNECTOR,MALE PIPE TO ORFS	48767	AS-B-22	SLEEVE,NYLON,1.42" ID
42758	4 JLO-S	UNION TEE,ORFS	48770	881-8	HOSE,1/2 INCH ID
42759	4-4 FLO-S	CONNECTOR,MALE PIPE TO ORFS			
42760	6-8 FLO-S	CONNECTOR,MALE PIPE TO ORFS			
42761	1J143-6-4	HOSE END,90° FEMALE SWIVEL,SEAL LOK			
42762	1J743-6-4	HOSE END,45° FEMALE SWIVEL,SEAL LOK			
42768	1JO43-4-4	HOSE END,MALE,SEAL LOK			
42776	601-8	HOSE,1/2 INCH ID			
42777	1J743-16-16	HOSE END,45° FEMALE SWIVEL,SEAL LOK			
42786	16 CLO-S	ELBOW,90°,MALE PIPE TO ORFS			
42787	16 R6LO-S	RUN TEE,SWIVEL NUT,ORFS			
42788	16-8 TRLO-BL-S	REDUCER,TUBE END TO SWIVEL,ORFS			
42789	6-6 CLO-S	ELBOW,90°,MALE PIPE TO ORFS			
42790	8-10 V5OLO-S	ELBOW,45°,STRAIGHT THREAD TO ORFS			
42791	3/4 CD-S	ELBOW,90°,MALE TO FEMALE PIPE			
42792	3/4 X 1/2 PTR-S	REDUCER,MALE TO FEMALE PIPE			
42793	1/2 CR-S	ELBOW,90°,MALE PIPE			

Fitting Cross References (Continued)

Genie PN	Parker PN	Description
48771	881-10	HOSE,5/8 INCH ID
48772	381-4	HOSE,1/4 INCH ID
48773	AS-B-13	SLEEVE,NYLON,.86" ID
48800	1JC43-4-4	HOSE END,FEMALE SWIVEL,SEAL LOK
48801	1J743-4-4	HOSE END,45° FEMALE SWIVEL,SEAL LOK
48802	1J943-4-4	HOSE END,90° FEMALE SWIVEL,SEAL LOK
48804	1JM43-4-4	HOSE END,MALE,SEAL LOK, NO O-RING
48805	10643-4-4	HOSE END,FEMALE SWIVEL,JIC
48806	13943-4-4	HOSE END,90° FEMALE SWIVEL,JIC
48807	1JS43-4-4	HOSE END,FEMALE SWIVEL,SEAL LOK
48808	3JC82-8-8	HOSE END,FEMALE SWIVEL,SEAL LOK
48809	3JC82-12-12	HOSE END,FEMALE SWIVEL,SEAL LOK
48810	1JC43-6-4	HOSE END,FEMALE SWIVEL,SEAL LOK
48811	1J943-6-4	HOSE END,90° FEMALE SWIVEL,SEAL LOK
48812	1JC43-6-6	HOSE END,FEMALE SWIVEL,SEAL LOK
48813	1J143-6-6	HOSE END,90° FEMALE SWIVEL,SEAL LOK
48814	1J543-6-6	HOSE END,90° FEMALE SWIVEL,SEAL LOK
48815	1J743-6-6	HOSE END,45° FEMALE SWIVEL,SEAL LOK
48816	1J943-6-6	HOSE END,90° FEMALE SWIVEL,SEAL LOK
48817	1JS43-6-8	HOSE END,FEMALE SWIVEL,SEAL LOK
48818	1J943-8-4	HOSE END,90° FEMALE SWIVEL,SEAL LOK
48819	1JC43-8-6	HOSE END,FEMALE SWIVEL,SEAL LOK
48820	1J743-8-6	HOSE END,45° FEMALE SWIVEL,SEAL LOK
48821	1J943-8-6	HOSE END,90° FEMALE SWIVEL,SEAL LOK
48822	1JC43-8-8	HOSE END,FEMALE SWIVEL,SEAL LOK
48823	1JS43-8-8	HOSE END,FEMALE SWIVEL,SEAL LOK
48824	1J143-8-8	HOSE END,90° FEMALE SWIVEL,SEAL LOK
48825	1J543-8-8	HOSE END,90° FEMALE SWIVEL,SEAL LOK
48826	1J743-8-8	HOSE END,45° FEMALE SWIVEL,SEAL LOK
48827	1J943-8-8	HOSE END,90° FEMALE SWIVEL,SEAL LOK
48828	1JC43-10-8	HOSE END,FEMALE SWIVEL,SEAL LOK
48829	1JS43-10-8	HOSE END,FEMALE SWIVEL,SEAL LOK
48830	1J743-10-8	HOSE END,45° FEMALE SWIVEL,SEAL LOK
48831	1J943-10-8	HOSE END,90° FEMALE SWIVEL,SEAL LOK
48833	1JC43-10-10	HOSE END,FEMALE SWIVEL,SEAL LOK
48834	1J943-10-10	HOSE END,90° FEMALE SWIVEL,SEAL LOK
48835	1JS43-10-12	HOSE END,FEMALE SWIVEL,SEAL LOK
48836	1JC43-12-8	HOSE END,FEMALE SWIVEL,SEAL LOK
48837	1JS43-12-8	HOSE END,FEMALE SWIVEL,SEAL LOK
48838	1J743-12-8	HOSE END,45° FEMALE SWIVEL,SEAL LOK
48839	1J943-12-8	HOSE END,90° FEMALE SWIVEL,SEAL LOK
48840	1J943-12-10	HOSE END,90° FEMALE SWIVEL,SEAL LOK
48841	1JC43-12-12	HOSE END,FEMALE SWIVEL,SEAL LOK
48842	1JO43-12-12	HOSE END,MALE,SEAL LOK
48843	1J143-12-12	HOSE END,90° FEMALE SWIVEL,SEAL LOK
48844	1J543-12-12	HOSE END,90° FEMALE SWIVEL,SEAL LOK
48845	1J743-12-12	HOSE END,45° FEMALE SWIVEL,SEAL LOK
48846	1J943-12-12	HOSE END,90° FEMALE SWIVEL,SEAL LOK

Genie PN	Parker PN	Description
48847	13943-12-12	HOSE END,90° FEMALE SWIVEL,JIC
48848	10543-12-12	HOSE END,MALE,STRAIGHT THREAD
48849	1JC71-12-12	HOSE END,FEMALE SWIVEL,SEAL LOK
48850	1JS71-12-12	HOSE END,FEMALE SWIVEL,SEAL LOK
48851	1J171-12-12	HOSE END,90° FEMALE SWIVEL,SEAL LOK
48852	1J771-12-12	HOSE END,45° FEMALE SWIVEL,SEAL LOK
48853	1J971-12-12	HOSE END,90° FEMALE SWIVEL,SEAL LOK
48854	1JC43-16-16	HOSE END,FEMALE SWIVEL,SEAL LOK
48855	1J943-16-16	HOSE END,90° FEMALE SWIVEL,SEAL LOK
48856	1J171-16-16	HOSE END,90° FEMALE SWIVEL,SEAL LOK
48857	1J971-16-16	HOSE END,90° FEMALE SWIVEL,SEAL LOK
48859	1JS43-8-4	HOSE END,FEMALE SWIVEL,SEAL LOK
48867	PD36BTL	DIAGNOSTIC NIPPLE,SEAL-LOK SWIVEL
48873	6 PNLO-S	PLUG,TUBE END,ORFS
48874	6 PNTX-S	PLUG,FLARE TUBE
48875	6 R6LO-S	RUN TEE,SWIVEL NUT,ORFS
48877	4 F5OLO-SW.025	CONNECTOR,STRAIGHT THREAD TO ORFS, W/.025 ORI
48878	16-12 C5OLO-S	ELBOW,90°,STRAIGHT THREAD TO ORFS
48879	8 C6LO-S	ELBOW,90°,SWIVEL NUT ORFS
48880	PD6-285	CAP,DIAGNOSTIC NIPPLE
48881	6 HLO-S	UNION,ORFS
48883	8 P5ON-S	PLUG,STRAIGHT THREAD
48884	8M18F87OMLO-S	CONNECTOR,METRIC,STRAIGHT THREAD TO ORFS
48885	4 WGTX-WLN-S	CONNECTOR,BULKHEAD,FEMALE PIPE TO FLARE TUBE
48886	4 F5OLO-SW/2MM	CONNECTOR,MACHINED STRAIGHT THREAD TO ORFS
48887	4 CTX-S	ELBOW,90°,MALE PIPE TO FLARE TUBE
48888	10-12 V5OLO-S	ELBOW,45°,STRAIGHT THREAD TO ORFS
48890	4 S5OLO-S	BRANCH TEE,STRAIGHT THREAD TO ORFS
48891	4 S6LO-S	BRANCH TEE,SWIVEL NUT TO ORFS

## Fitting Cross References (Continued)

Genie PN	Parker PN	Description	Genie PN	Parker PN	Description
48892	6 C6LO-S	ELBOW,90°,SWIVEL NUT ORFS	48938	8 R6LO-S	RUN TEE,SWIVEL NUT,ORFS
48893	6 F5OHAO-S	UNION,STRAIGHT THREAD	48939	8 S6LO-S	BRANCH TEE,SWIVEL NUT TO ORFS
48894	8 WLO-WLNL-S	UNION,BULKHEAD,ORFS	48940	8 WJLO-WLNL-S	RUN TEE, BULKHEAD,ORFS
48895	DT-370-MSMO-5	VALVE,CHECK	48941	8-4 TRLO-S	REDUCER,TUBE END TO SWIVEL,ORFS
48896	6 JLO-S	UNION,TEE,ORFS	48942	8-6 C5OLO-S	ELBOW,90°,STRAIGHT THREAD TO ORFS
48897	DT-750-MSMS-5	VALVE,CHECK	48943	8-6 F5OLO-S	CONNECTOR,STRAIGHT THREAD TO ORFS
48898	DT-750-MOMS-5	VALVE,CHECK	48944	8-8 FLO-S	CONNECTOR,MALE PIPE TO ORFS
48899	DT-620-MOMS-5	VALVE,CHECK	48945	8 FTX-S	CONNECTOR,MALE PIPE TO FLARE TUBE
48900	4-6 F5OLO-SW/.035	CONNECTOR,STRAIGHT THREAD TO ORFS, W/.035 ORI	48946	8-10 F5OLO-S	CONNECTOR,STRAIGHT THREAD TO ORFS
48902	16-1 AOE4G-S	ELBOW,90° LONG,FEMALE PIPE TO STRAIGHT THREAD	48947	8-12 C5OLO-S	ELBOW,90°,STRAIGHT THREAD TO ORFS
48903	1 FF-S	NIPPLE,PIPE	48948	8-12 F5OLO-S	CONNECTOR,STRAIGHT THREAD TO ORFS
48904	4 C5OLO-S	ELBOW,90°,STRAIGHT THREAD TO ORFS	48949	8-16 F5OLO-S	CONNECTOR,STRAIGHT THREAD TO ORFS
48905	4 F5OLO-S	CONNECTOR,STRAIGHT THREAD TO ORFS	48950	10 C5OLO-S	ELBOW,90°,STRAIGHT THREAD TO ORFS
48906	4 R5OLO-S	RUN TEE,STRAIGHT THREAD	48951	10 CC5OLO-S	ELBOW,90° LONG,STRAIGHT THREAD TO ORFS
48907	4 V5OLO-S	ELBOW,45°,STRAIGHT THREAD TO ORFS	48952	10 F5OLO-S	CONNECTOR,STRAIGHT THREAD TO ORFS
48908	4 R6LO-S	RUN TEE,SWIVEL NUT,ORFS	48953	10 R5OLO-S	RUN TEE,STRAIGHT THREAD
48909	4 WJLO-WLNL-S	RUN TEE, BULKHEAD,ORFS	48954	10 S5OLO-S	BRANCH TEE,STRAIGHT THREAD TO ORFS
48910	4 GTX-S W/.030	CONNECTOR,FEMALE PIPE TO FLARE TUBE	48955	10 R6LO-S	RUN TEE,SWIVEL NUT,ORFS
48911	4-6 C5OLO-S	ELBOW,90°,STRAIGHT THREAD TO ORFS	48956	10-4 TRLO-BL-S	REDUCER,TUBE END TO SWIVEL,ORFS
48912	4-6 F5OLO-S	CONNECTOR,STRAIGHT THREAD TO ORFS	48957	10-6 TRLO-BL-S	REDUCER,TUBE END TO SWIVEL,ORFS
48913	4-6 F5OLO-SW/.030	CONNECTOR,STRAIGHT THREAD TO ORFS, W/.030 ORI	48958	10-12 F5OLO-S	CONNECTOR,STRAIGHT THREAD TO ORFS
48914	4-8 F5OLO-S	CONNECTOR,STRAIGHT THREAD TO ORFS	48959	12 C5OLO-S	ELBOW,90°,STRAIGHT THREAD TO ORFS
48915	6 C5OLO-S	ELBOW,90°,STRAIGHT THREAD TO ORFS	48960	12 F5OLO-S	CONNECTOR,STRAIGHT THREAD TO ORFS
48916	6 F5OLO-S	CONNECTOR,STRAIGHT THREAD TO ORFS	48961	12 R5OLO-S	RUN TEE,STRAIGHT THREAD
48917	6 FF5OLO-S	CONNECTOR,LONG,STRAIGHT THREAD TO ORFS	48962	12 S5OLO-S	BRANCH TEE,STRAIGHT THREAD TO ORFS
48918	6 R5OLO-S	RUN TEE,STRAIGHT THREAD	48963	12 V5OLO-S	ELBOW,45°,STRAIGHT THREAD TO ORFS
48919	6 S5OLO-S	BRANCH TEE,STRAIGHT THREAD TO ORFS	48964	12 R6LO-S	RUN TEE,SWIVEL NUT,ORFS
48920	6 V5OLO-S	ELBOW,45°,STRAIGHT THREAD TO ORFS	48965	12 CLO-S	ELBOW,90°,MALE PIPE TO ORFS
48921	6 FLO-S	CONNECTOR,MALE PIPE TO ORFS	48966	12 FLO-S	CONNECTOR,MALE PIPE TO ORFS
48922	6-6 FLO-S	CONNECTOR,MALE PIPE TO ORFS	48967	12 JLO-S	UNION TEE,ORFS
48923	6 P5ON-S	PLUG,STRAIGHT THREAD	48968	12 WLO-WLNL-S	UNION,BULKHEAD,ORFS
48925	6 WELO-S	UNION,90° BULKHEAD,ORFS	48969	12 WJLO-WLNL-S	RUN TEE, BULKHEAD,ORFS
48926	6-4 C5OLO-S	ELBOW,90°,STRAIGHT THREAD TO ORFS	48970	12 WELO-WLNL-S	UNION,90° BULKHEAD W/NUT,ORFS
48927	6-4 F5OLO-S	CONNECTOR,STRAIGHT THREAD TO ORFS			
48928	6-4 V5OLO-S	ELBOW,45°,STRAIGHT THREAD TO ORFS			
48929	6-8 C5OLO-S	ELBOW,90°,STRAIGHT THREAD TO ORFS			
48930	6-8 F5OLO-S	CONNECTOR,STRAIGHT THREAD TO ORFS			
48931	6-10 F5OLO-S	CONNECTOR,STRAIGHT THREAD TO ORFS			
48932	8 C5OLO-S	ELBOW,90°,STRAIGHT THREAD TO ORFS			
48933	8 F5OLO-S	CONNECTOR,STRAIGHT THREAD TO ORFS			
48934	8 FF5OLO-S	CONNECTOR,LONG,STRAIGHT THREAD TO ORFS			
48935	8 R5OLO-S	RUN TEE,STRAIGHT THREAD			
48936	8 S5OLO-S	BRANCH TEE,STRAIGHT THREAD TO ORFS			
48937	8 V5OLO-S	ELBOW,45°,STRAIGHT THREAD TO ORFS			

## Fitting Cross References (Continued)

Genie PN	Parker PN	Description	Genie PN	Parker PN	Description
48971	12 G5G5JG5-S	TEE,FEMALE STRAIGHT THREAD	49612	PKT02586	O-RING KIT (ORFS FITTINGS)
48972	12 XHL6-S	ADAPTER, 37° MALE TO SWIVEL ORFS	49613	PKT06276	PLUG AND CAP KIT-SERVICE,ORFS
48973	12-1/2 F5OG-S	ADAPTER,FEMALE PIPE TO STRAIGHT THREAD	49728	10143-12-12	HOSE END, MALE PIPE
48974	12-10 C5OLO-S	ELBOW,90°,STRAIGHT THREAD TO ORFS	49729	16-1 F5OG-S	ADAPTER,FEMALE PIPE TO STRAIGHT THREAD
48975	12-10 F5OLO-S	CONNECTOR,STRAIGHT THREAD TO ORFS	49814	12-8 FLO-S	CONNECTOR,MALE PIPE TO ORFS
48976	12-16 C5OLO-S	ELBOW,90°,STRAIGHT THREAD TO ORFS	49829	DT-500-MOMF-5	VALVE,CHECK
48977	12-16 F5OLO-S	CONNECTOR,STRAIGHT THREAD TO ORFS	49831	881-12	HOSE,3/4 INCH ID
48978	12-16 V5OLO-S	ELBOW,45°,STRAIGHT THREAD TO ORFS	49834	16 JLO-S	UNION TEE,ORFS
48980	12-16 FLO-S	CONNECTOR,MALE PIPE TO ORFS	49838	12-8 TRLO-BL-S	REDUCER,TUBE END TO SWIVEL,ORFS
48983	16 C5OLO-S	ELBOW,90°,STRAIGHT THREAD TO ORFS	49840	8 JLO-S	UNION TEE,ORFS
48984	16 F5OLO-S	CONNECTOR,STRAIGHT THREAD TO ORFS	49844	10-8 TRLO-BL-S	REDUCER,TUBE END TO SWIVEL,ORFS
48985	16 V5OLO-S	ELBOW,45°,STRAIGHT THREAD TO ORFS	49854	8 P5ON-S	PLUG,STRAIGHT THREAD
48986	16 FLO-S	CONNECTOR,MALE PIPE TO ORFS	49855	1JC43-16-12	HOSE END,FEMALE SWIVEL,SEAL LOK
48988	16 CD45-S	ELBOW,45°,MALE TO FEMALE PIPE	49859	4 P5ON-S	PLUG,STRAIGHT THREAD
48989	12 CD45-S	ELBOW,45°,MALE TO FEMALE PIPE	49861	4 FF5OLO-S	CONNECTOR,LONG,STRAIGHT THREAD TO ORFS
48990	8 CD45-S	ELBOW,45°,MALE TO FEMALE PIPE	49867	12-3/4 F5OG-S	ADAPTER,FEMALE PIPE TO STRAIGHT THREAD
48991	16-12 FLO-S	CONNECTOR,MALE PIPE TO ORFS	51152	6 R6X-S	RUN TEE,SWIVEL NUT,ORFS
48992	16-12 V5OLO-S	ELBOW,45°,STRAIGHT THREAD TO ORFS	51153	6-4 TRTX-S	REDUCER,TUBE END TO SWIVEL,ORFS
48993	XV501-12	BALL VALVE	51154	4-4 GTX	CONNECTOR,FEMALE PIPE TO FLARE TUBE
48994	XV501-16	BALL VALVE	51264	881-12	HOSE,3/4 INCH ID
48995	XV510P-12	BALL VALVE	51265	8 JLO-S	UNION TEE,ORFS
48996	XV510P-16	BALL VALVE	51508	6 BTX-S	NUT,FLARE TUBE
48997	PD341	DIAGNOSTIC NIPPLE, STRAIGHT THREAD	51580	12-8 TRLO-BL-S	TUBE END REDUCER,ORFS
48998	PD 361	DIAGNOSTIC NIPPLE, STRAIGHT THREAD	51628	6 R6X-S	RUN TEE,SWIVEL NUT,ORFS
48999	DT-500-MOMS-5	VALVE,CHECK	51735	3/8 HHP	PLUG,PIPE THREAD
49201	10 V5OLO-S	ELBOW,45°,STRAIGHT THREAD TO ORFS	51803	1J943-6-8	HOSE END,90° FEMALE SWIVEL,SEAL LOK
49202	1JC43-12-10	HOSE END,FEMALE SWIVEL,SEAL LOK	53023	125HBL-5-4	FITTING,HOSE BARB TO MALE PIPE
49203	10-8 V5OLO-S	ELBOW,45°,STRAIGHT THREAD TO ORFS	53497	PKT02585	O-RING KIT
49205	6 F5OHAO-S	UNION,STRAIGHT THREAD	53499	1JC71-16-16	HOSE END,FEMALE SWIVEL,SEAL LOK
49207	PD34BTL	DIAGNOSTIC NIPPLE,SEAL-LOK SWIVEL	53500	3-904	O-RING,STRAIGHT THREAD,-4
49209	8M18F870MX-S	CONNECTOR,METRIC,STRAIGHT THREAD TO FLARE TUBE	53501	3-906	O-RING,STRAIGHT THREAD,-6
49212	8 WGTX-WLN-S	CONNECTOR,BULKHEAD,FEMALE PIPE TO FLARE TUBE	53502	3-908	O-RING,STRAIGHT THREAD,-8
49213	30682-8-8	HOSE END,FEMALE SWIVEL,JIC	53503	3-910	O-RING,STRAIGHT THREAD,-10
49216	831-8	HOSE,1/2 INCH ID			
49217	33982-8-8	HOSE END,90° FEMALE SWIVEL,JIC			
49219	PS-B-35	SLEEVE,NYLON,2.19" ID			
49418	4-6 V5OLO-S	ELBOW,45°,STRAIGHT THREAD TO ORFS			
49511	DT370-MOMS-5	VALVE,CHECK			
49512	1 DD-S	ELBOW,90°,FEMALE PIPE			
49513	1 FF-S	NIPPLE,PIPE			
49514	10 HP5ON-S	PLUG,STRAIGHT THREAD			
49515	12-16 CLO-S	ELBOW,90°,MALE PIPE TO ORFS			
49517	6 HP5ON-S	PLUG,STRAIGHT THREAD			
49519	16-12 F5OLO-S	CONNECTOR,STRAIGHT THREAD TO ORFS			
49520	4 VTX-S	ELBOW,45°,MALE PIPE TO FLARE TUBE			
49530	16 C6LO-S	ELBOW,90°,SWIVEL NUT ORFS			

## Fitting Cross References (Continued)

Genie PN	Parker PN	Description	Genie PN	Parker PN	Description
53535	3-912	O-RING,STRAIGHT THREAD,-12	61083	24 F5OLO-S	CONNECTOR,STRAIGHT THREAD TO ORFS
53536	4-PNLO-S	PLUG,TUBE END,ORFS	61086	20 R5OLO-S	RUN TEE,STRAIGHT THREAD
53537	6 PNLO-S	PLUG,TUBE END,ORFS	61090	24-20 F5OLO-S	CONNECTOR,STRAIGHT THREAD TO ORFS
53538	8 PNLO-S	PLUG,TUBE END,ORFS	61091	1J943 24-24	HOSE END,90° FEMALE SWIVEL,SEAL LOK
53539	10 PNLO-S	PLUG,TUBE END,ORFS	61093	1J978-12-12	HOSE END,90° FEMALE SWIVEL,JIC
53540	12 PNLO-S	PLUG,TUBE END,ORFS	61095	1JS43-20-16	HOSE END,FEMALE SWIVEL,SEAL LOK
53946	129HB-5-4	FITTING,90° HOSE BARB TO MALE PIPE	61100	811-24	HOSE,11/2 INCH ID
53951	8-1/4F50G-S	ADAPTER,FEMALE PIPE TO STRAIGHT THREAD	61130	1JS43-24-24	HOSE END,FEMALE SWIVEL,SEAL LOK
53980	6 S6LO-S	BRANCH TEE,SWIVEL NUT TO ORFS	61131	1JS78 12-12	HOSE END,FEMALE SWIVEL,SEAL LOK
54132	4 C6LO-S	ELBOW,90°,SWIVEL NUT ORFS	61132	1J778-12-12	HOSE END,45° FEMALE SWIVEL,JIC
54135	11343-16-16	HOSE END,MALE SWIVEL,PIPE	61152	139HB-6-4	ELBOW,45°,BARB TO MALE PIPE
54283	8-10 C5OLO-S	ELBOW,90°,STRAIGHT THREAD TO ORFS	61251	BV-0750	BALL VALVE
54428	8M18C870MLO-S	ELBOW, 90° METRIC, STRAIGHT THREAD TO ORFS	61259	4 CC5OLO-S	ELBOW,90° LONG,STRAIGHT THREAD TO ORFS
54803	FS-F-16-10	SLEEVE,FIRE,-96" ID	61260	20-12 TRLO-BL	REDUCER,TUBE END TO SWIVEL,ORFS
54954	10143-2-4	HOSE END, MALE PIPE	61262	12 C6LO-S	ELBOW,90°,SWIVEL NUT ORFS
55190	3/8 HP-S	PLUG,PIPE THREAD	61263	20 F5OHAO-S	UNION,STRAIGHT THREAD
55448	8 HLO-S	UNION,ORFS	61264	6-10 C5OLO-S	ELBOW,90°,STRAIGHT THREAD TO ORFS
55839	6 F65OX-S	CONNECTOR,STRAIGHT THREAD TO 37° SWIVEL	61265	6 WNLO-WLNL-S	UNION,BULKHEAD 45°,ORFS
55968	10 C5OX-S	ELBOW,90°,STRAIGHT THREAD TO FLARE TUBE	61268	4 WNLO-WLNL-S	UNION,BULKHEAD 45°,ORFS
56003	6 CC5OLO-S	ELBOW,90° LONG,STRAIGHT THREAD TO ORFS	61269	4 WLO-WLNL-S	UNION,BULKHEAD,ORFS
56166	BV-0837	BALL VALVE,90°	61272	12 AOEL6	ELBOW,90°,STRAIGHT THREAD TO ORFS SWIVEL
56188	10143-8-6	HOSE END, MALE PIPE	61316	482TC-16	HOSE,1 INCH ID
56233	2-011	O-RING,ORFS,-4	61321	6 JLO-S	UNION TEE,ORFS
56234	2-012	O-RING,ORFS,-6	61327	782-12	HOSE,3/4 INCH ID
56235	2-014	O-RING,ORFS,-8	61328	881-24	HOSE,11/2 INCH ID
56236	2-016	O-RING,ORFS,-10	61336	11943-20-24	HOSE END,90° FLANGE HEAD
56237	2-018	O-RING,ORFS,-12	61345	12 WJLO-WLNL-S	RUN TEE, BULKHEAD,ORFS
56238	2-021	O-RING,ORFS,-16	61346	8 WNLO-WLNL-S 4	UNION,BULKHEAD 45°,ORFS
56352	6 WLNL-S	LOCKNUT,BULKHEAD	61569	33782-8-8	HOSE END,45° FEMALE SWIVEL,JIC
56353	3J782-12-12	HOSE END,45° FEMALE SWIVEL,SEAL LOK	61610	12 FF5OLO-S	CONNECTOR,LONG,STRAIGHT THREAD TO ORFS
56354	3J982-12-12	HOSE END,90° FEMALE SWIVEL,SEAL LOK	61742	1/8 X 1.5 FFF	NIPPLE,PIPE
56604	10-8 F5OLO-S	CONNECTOR,STRAIGHT THREAD TO ORFS	63426	8 PNTX-S	PLUG,FLARE TUBE
56639	3JC82-10-10	HOSE END,FEMALE SWIVEL,SEAL LOK			
56640	3J982-10-10	HOSE END,90° FEMALE SWIVEL,SEAL LOK			
56655	3JC82-8-10	HOSE END,FEMALE SWIVEL,SEAL LOK			
56676	10-8 C5OLO-S	ELBOW,90°,STRAIGHT THREAD TO ORFS			
56776	471TC-6	HOSE,3/8 INCH ID			
56777	471TC-8	HOSE,1/2 INCH ID			
56789	811-16	HOSE,1 INCH ID			
57884	3/8 FF	NIPPLE,PIPE			
59335	6 FNL-S	CAP, TUBE END			
59342	4 FNL-S	CAP, TUBE END			
59371	8 HP5ON-S	PLUG,STRAIGHT THREAD			
60653	BV-0751	BALL VALVE			
60806	125HB-3-4	FITTING,HOSE BARB TO MALE PIPE			
61064	5-1/4 F50G-S	ADAPTER,FEMALE PIPE TO STRAIGHT THREAD			
61079	4 WELO-WLNL-S	UNION,90° BULKHEAD W/NUT,ORFS			
61080	6 WLO-WLNL-S	UNION,BULKHEAD,ORFS			

## Fitting Cross References (Continued)

Genie PN	Parker PN	Description	Genie PN	Parker PN	Description
64271	4 WLO-WLNL-S	UNION,BULKHEAD,ORFS	75631	801-6	HOSE,3/8 INCH ID
64272	6 WLO-WLNL-S	UNION,BULKHEAD,ORFS	75654	20 F5OLO-S	CONNECTOR,STRAIGHT THREAD TO ORFS
65776	8 F65OL-S	CONNECTOR,STRAIGHT THREAD TO ORFS SWIVEL	75655	1J943-20-20	HOSE END,90° FEMALE SWIVEL,SEAL LOK
65880	6001012	O-RING KIT	75656	881-20	HOSE,1-1/4 INCH ID
66154	6 WTX-WLNS	UNION,BULKHEAD,FLARE TUBE	75971	8 F5OHAO-S	UNION,STRAIGHT THREAD
66155	6 WETX-S	UNION,BULKHEAD 90°,FLARE TUBE	77307	1JB43-8-8	HOSE END,BULKHEAD,SEAL LOK
66156	6 WLN-S	BULKHEAD LOCKNUT	77309	8 WLNL-S	BULKHEAD LOCKNUT
66389	6-8 F5OX-S	CONNECTOR,STRAIGHT THREAD TO FLARE TUBE	77379	8M18C87OMX-S	ELBOW,90° METRIC,STRAIGHT THREAD TO FLARE TUBE
66392	6 R5OX-S	RUN TEE,STRAIGHT THREAD	77703	3J982-8-8	HOSE END,90° FEMALE SWIVEL,SEAL LOK
66396	811-12	HOSE,3/4 INCH ID	77711	801-10	HOSE,5/8 INCH ID
66829	H3174PP	CLAMP,TUBE	77758	12 WNLO-WLNL-S	UNION,BULKHEAD 45°,ORFS
67217	4 KLO-S	UNION,CROSS,ORFS	78091	6 C6X-S	ELBOW,90°,SWIVEL NUT TO FLARE TUBE
67339	10-6 F5OX-S	CONNECTOR,STRAIGHT THREAD TO FLARE TUBE	78684	30582-8-8B	HOSE END,PUSH LOK,MALE
67357	13943-8-6	HOSE END,90° FEMALE SWIVEL,JIC	78852	549-2	HOSE,1/8 INCH ID
67358	10 HP5ON-S	PLUG,STRAIGHT THREAD	78855	10657-4-2	HOSE END,FEMALE SWIVEL,JIC
67371	12 S6LO-S	BRANCH TEE,SWIVEL NUT TO ORFS	79138	PS-B-37	SLEEVE,NYLON,2.38" ID
67498	4 FNL-S	CAP, TUBE END	79476	1JS43-6-8	HOSE END,FEMALE SWIVEL,SEAL LOK
67906	DC-370-F0F0-5	VALVE,CHECK	79847	12-3/4 A0EG-S	ELBOW,90°,STRAIGHT THREAD TO FEMALE PIPE
69316	8 FLO-S	CONNECTOR,MALE PIPE TO ORFS	80044	8 CLO-S	ELBOW,90°,MALE PIPE TO ORFS
69333	H3174PP	CLAMP,HYDRAULIC HOSE	80502	8 F5OX-S	CONNECTOR,STRAIGHT THREAD TO FLARE TUBE
69503	4 F65OX-S	CONNECTOR,STRAIGHT THREAD TO 37° SWIVEL	80503	8 C5OX-S	ELBOW,90°,STRAIGHT THREAD TO FLARE TUBE
69775	8 FNL-S	CAP, TUBE END	81010	AS-B-27	SLEEVE,NYLON,1.63" ID
71038	1/4X1/4F3HG-S	ADAPTER,CONVERSION	83052	821-6	HOSE,3/8 INCH ID
71196	12-8 F5OLO-S	CONNECTOR,STRAIGHT THREAD TO ORFS	83053	821-8	HOSE,1/2 INCH ID
71383	1/4 CD45-S	ELBOW,45°,MALE TO FEMALE PIPE	83054	821-12	HOSE,3/4 INCH ID
72270	12FNL-S	CAP, TUBE END	83055	30682-6-6	HOSE END,FEMALE SWIVEL,JIC
73436	60C-4	SLEEVE,COMPRESSION	83056	30682-12-12	HOSE END,FEMALE SWIVEL,JIC
73437	61C-4	NUT,COMPRESSION	83057	33782-6-6	HOSE END,45° FEMALE SWIVEL,JIC
73438	33482-4-4B	HOSE END,PUSH LOK,MALE	83058	33982-6-6	HOSE END,90° FEMALE SWIVEL,JIC
73767	1CD-S	ELBOW,90°,MALE TO FEMALE PIPE	83060	33982-12-12	HOSE END,90° FEMALE SWIVEL,JIC
73768	20-16-F5OG5-S	ADAPTER,FEMALE PIPE TO STRAIGHT THREAD	83063	13743-4-4	HOSE END,45° FEMALE SWIVEL,JIC
73769	16-20 F5OLO-S	CONNECTOR,STRAIGHT THREAD TO ORFS			
74660	6-8 F42EDMLO-S	CONNECTOR,MALE BSPP TO ORFS			
74661	8-8 F42EDMLO-S	CONNECTOR,MALE BSPP TO ORFS			
75007	4 FLO-S	CONNECTOR,MALE PIPE TO ORFS			
75008	1/8 HP-S	PLUG,PIPE THREAD			
75014	1/2 HP-S	PLUG,PIPE THREAD			
75042	8 WELO-WLNL-S	UNION,90° BULKHEAD W/NUT,ORFS			
75043	3/4 FF-S	NIPPLE,PIPE			
75254	24 F5OHAO-S	UNION,STRAIGHT THREAD			
75255	12 F5OHAO-S	UNION,STRAIGHT THREAD			
75256	XV506P-24	BALL VALVE			
75574	4 WLNL-S	BULKHEAD LOCKNUT			
75612	8 WJLO-WLNL-S	RUN TEE, BULKHEAD,ORFS			
75613	12-8 F5OG5-S	ADAPTER,FEMALE PIPE TO STRAIGHT THREAD			
75614	8 CC5OLO-S	ELBOW,90° LONG,STRAIGHT THREAD TO ORFS			
75628	1JB43-4-4	HOSE END,BULKHEAD,SEAL LOK			

## Fitting Cross References (Continued)

Genie PN	Parker PN	Description	Genie PN	Parker PN	Description
83064	13743-8-8	HOSE END,45° FEMALE SWIVEL,JIC	89449	6 WJLO-WLNL-S	RUN TEE, BULKHEAD,ORFS
83065	13743-12-12	HOSE END,45° FEMALE SWIVEL,JIC	89489	4 WJMLO-S	BRANCH TEE,BULKHEAD,ORFS
83066	13943-8-8	HOSE END,90° FEMALE SWIVEL,JIC	89551	1JB43-6-6	HOSE END,BULKHEAD,SEAL LOK
83067	14143-6-6	HOSE END,90° FEMALE SWIVEL,JIC	89552	1JB43-8-8	HOSE END,BULKHEAD,SEAL LOK
83068	14143-8-8	HOSE END,90° FEMALE SWIVEL,JIC	89593	20 C5OLO-S	ELBOW,90°,STRAIGHT THREAD TO ORFS
83069	14143-12-12	HOSE END,90° FEMALE SWIVEL,JIC	94161	8-8 CLO-S	ELBOW,90°,MALE PIPE TO ORFS
83070	772-8	HOSE,1/2 INCH ID	94358	351TC-12	HOSE,3/4 INCH ID
83071	10671-8-8	HOSE END,FEMALE SWIVEL,JIC	94418	20 FLO-S	CONNECTOR,MALE PIPE TO ORFS
83072	10671-12-12	HOSE END,FEMALE SWIVEL,JIC	96358	12 TX-S	SLEEVE,FLARE TUBE
83073	13771-8-8	HOSE END,45° FEMALE SWIVEL,JIC	96359	12 BTX-S	NUT,FLARE TUBE
83074	13771-12-12	HOSE END,45° FEMALE SWIVEL,JIC	96397	8 F5OX-S	CONNECTOR,STRAIGHT THREAD TO FLARE TUBE
83075	13971-8-8	HOSE END,90° FEMALE SWIVEL,JIC	96398	12-8 F5OX-S	CONNECTOR,STRAIGHT THREAD TO FLARE TUBE
83076	13971-12-12	HOSE END,90° FEMALE SWIVEL,JIC	96402	10343-6-6	HOSE END,MALE,JIC
83077	14171-8-8	HOSE END,90° FEMALE SWIVEL,JIC	96407	30382-6-6B	HOSE END,MALE,JIC
83078	14171-12-12	HOSE END,90° FEMALE SWIVEL,JIC			
83080	13943-16-16	HOSE END,90° FEMALE SWIVEL,JIC			
83103	10671-16-12	HOSE END,FEMALE SWIVEL,JIC			
83104	10671-10-12	HOSE END,FEMALE SWIVEL,JIC			
83112	1JC71-8-8	HOSE END,FEMALE SWIVEL,SEAL LOK			
83113	1JS71-16-12	HOSE END,FEMALE SWIVEL,SEAL LOK			
83114	1JS71-10-12	HOSE END,FEMALE SWIVEL,SEAL LOK			
83115	1J971-8-8	HOSE END,90° FEMALE SWIVEL,SEAL LOK			
83116	1J171-8-8	HOSE END,90° FEMALE SWIVEL,SEAL LOK			
83117	1J771-8-8	HOSE END,45° FEMALE SWIVEL,SEAL LOK			
83127	1J543-6-8	HOSE END,90° FEMALE SWIVEL,JIC			
83128	1JC43-6-8	HOSE END,FEMALE SWIVEL,SEAL LOK			
87033	12-6 TRLO-S	REDUCER,TUBE END TO SWIVEL,ORFS			
87034	3J782-8-8	HOSE END,45° FEMALE SWIVEL,SEAL LOK			
87172	12 HP5ON-S	PLUG,STRAIGHT THREAD			
87185	8 WNLO-WLNL-S	UNION,BULKHEAD 45°,ORFS			
87246	4 C6X-S	ELBOW,90°,SWIVEL NUT TO FLARE TUBE			
87679	6 LHP-S	FLANGE SEAL FITTING, MALE			
87681	6PLS N0702	BONDED SEAL			
88100	SR88100	ADAPTER,OIL DRAIN,GM 3.0L			
88311	1JS43-20-20	HOSE END,FEMALE SWIVEL,SEAL LOK			
88353	20 V5OLO-S	ELBOW,45°,STRAIGHT THREAD TO ORFS			
88474	10081-20	Crimp Shell, 1.25"			
88475	1988-20-24	HOSE END,90° FLANGE HEAD			
88476	JS88-24-24	HOSE END,FEMALE SWIVEL,SEAL LOK			
88477	1JC88-20-20	HOSE END,FEMALE SWIVEL,SEAL LOK			
88478	811-20	HOSE,11/4 INCH ID			
88936	20-16 F5OLO-S	CONNECTOR,STRAIGHT THREAD TO ORFS			
88937	20-16 FLO-S	CONNECTOR,MALE PIPE TO ORFS			
88938	1JC88-16-16	HOSE END,FEMALE SWIVEL,SEAL LOK			
88939	1J988-16-16	HOSE END,90° FEMALE SWIVEL,ORFS			
88940	811-16	HOSE,1 INCH ID			
88944	1J988-20-20	HOSE END,90° FEMALE SWIVEL,ORFS			
89403	16 VLO-S	ELBOW,45°,MALE PIPE TO ORFS			



California Proposition 65

## Warning

The exhaust from this product contains chemicals known to the State of California to cause cancer, birth defects or other reproductive harm.

### Genie North America

**Phone** 425.881.1800  
**Toll Free** USA and Canada  
800.536.1800  
**Fax** 425.883.3475

### Genie Australia Pty Ltd.

**Phone** +61 7 3375 1660  
**Fax** +61 7 3375 1002

### Genie China

**Phone** +86 21 53852570  
**Fax** +86 21 53852569

### Genie Malaysia

**Phone** +65 98 480 775  
**Fax** +65 67 533 544

### Genie Japan

**Phone** +81 3 3453 6082  
**Fax** +81 3 3453 6083

### Genie Korea

**Phone** +82 25 587 267  
**Fax** +82 25 583 910

### Genie Brasil

**Phone** +55 11 41 665 755  
**Fax** +55 11 41 665 754

### Genie Holland

**Phone** +31 183 581 102  
**Fax** +31 183 581 566

### Genie Scandinavia

**Phone** +46 31 575100  
**Fax** +46 31 579020

### Genie France

**Phone** +33 (0)2 37 26 09 99  
**Fax** +33 (0)2 37 26 09 98

### Genie Iberica

**Phone** +34 93 579 5042  
**Fax** +34 93 579 5059

### Genie Germany

**Phone** +49 (0)4202 88520  
**Fax** +49 (0)4202 8852-20

### Genie U.K.

**Phone** +44 (0)1476 584333  
**Fax** +44 (0)1476 584334

### Genie Mexico City

**Phone** +52 55 5666 5242  
**Fax** +52 55 5666 3241

Distributed By:

# Parts Manual

GS-2669RT,GS-3369RT

GS-4069RT

*from SN GS6911-101*

Part No.  
229832

Rev A18

**Genie**  
A TEREX BRAND